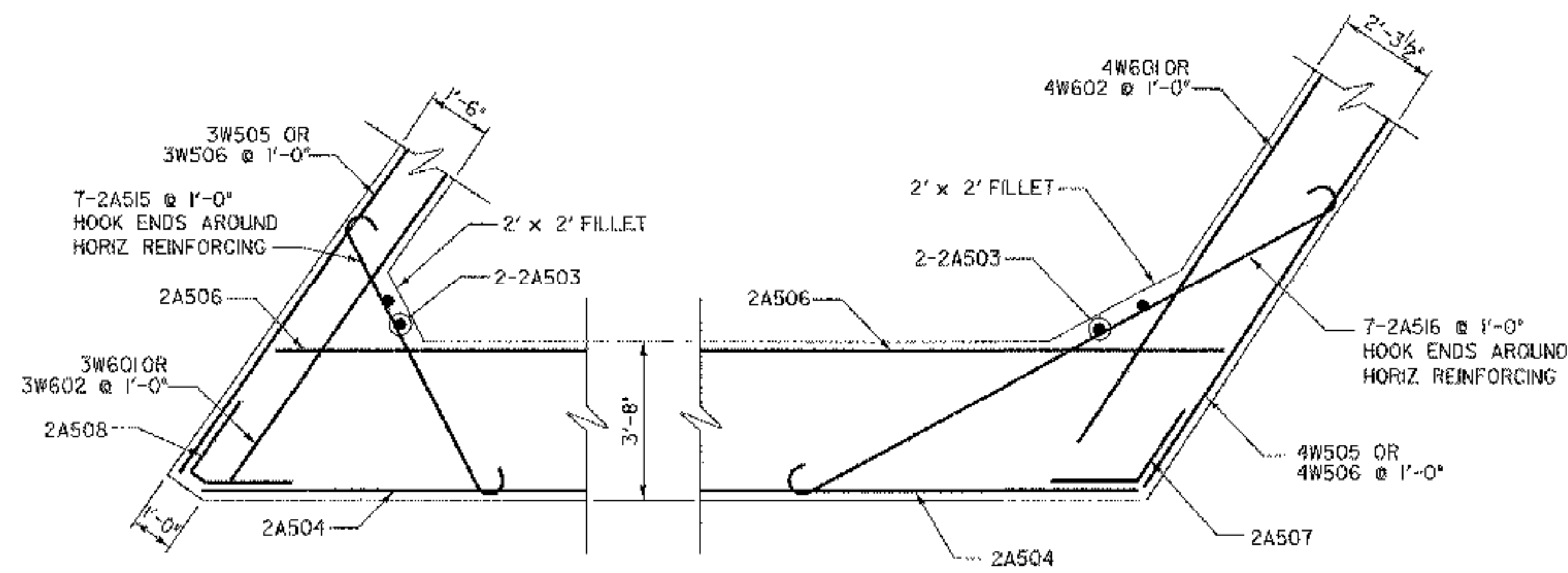


WINGWALL No. 3

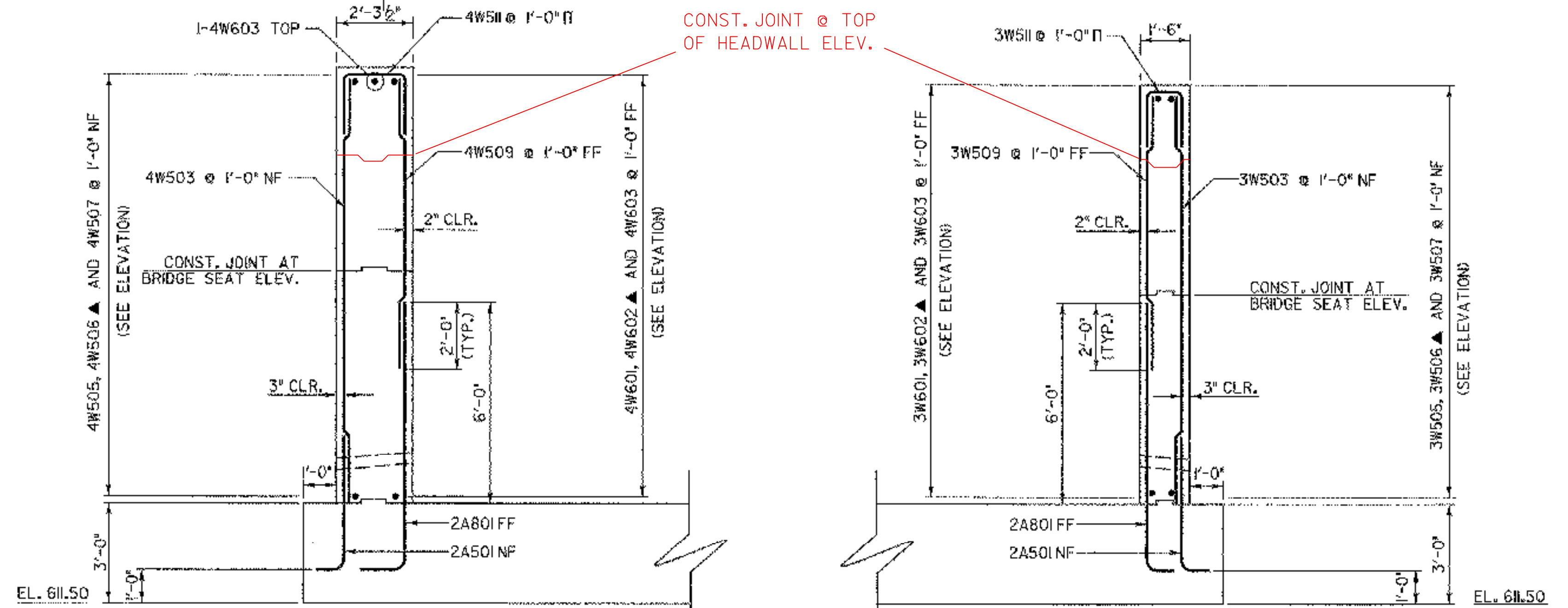
WINGWALL No. 4



ABUTMENT 2 - CORNER REINFORCEMENT

(BELOW BEAM SEAT)

SCALE 3/8" = 1'-0"
1 0 1 2 3 4

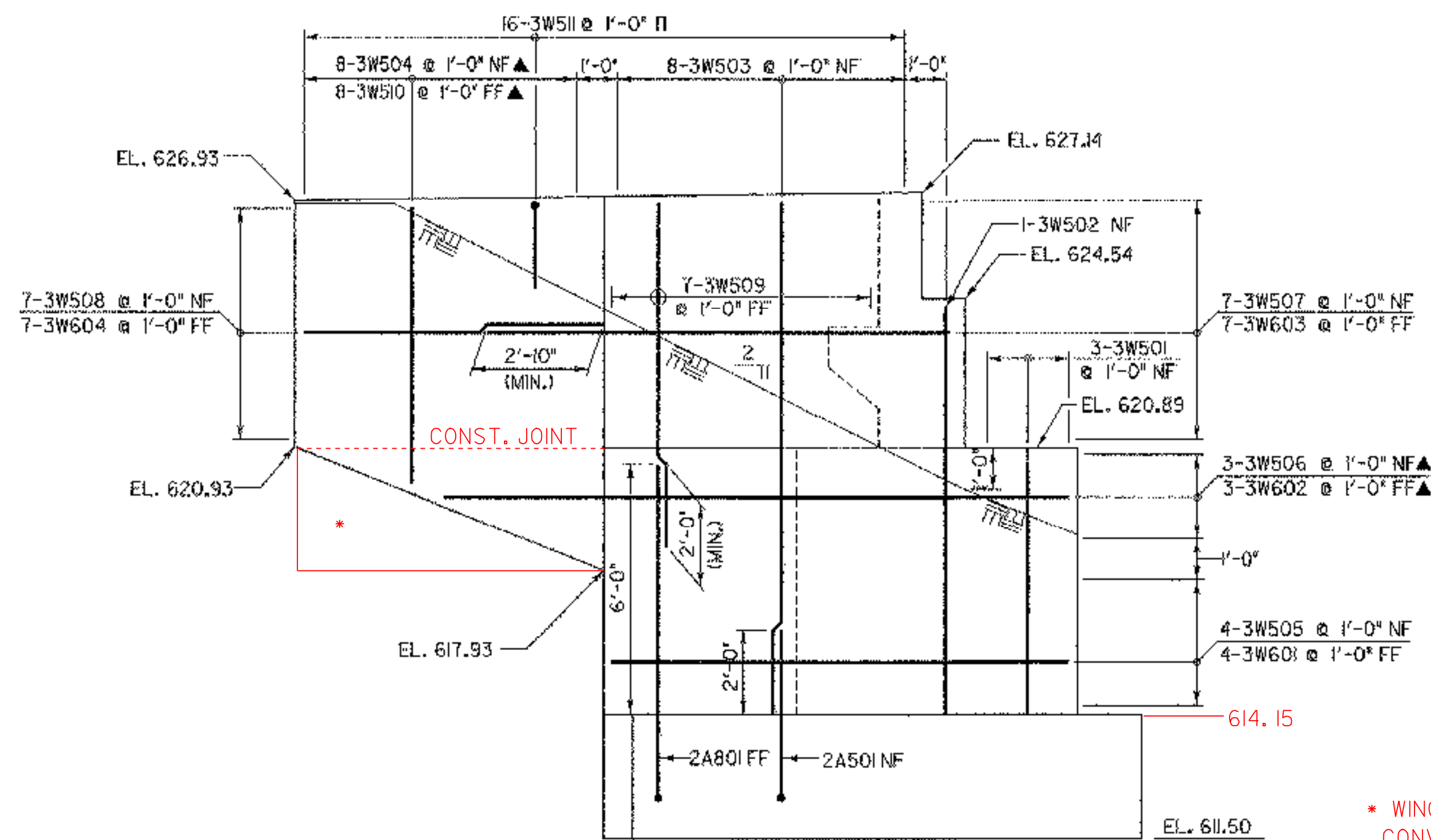


WINGWALL No. 4

SCALE 3/8" = 1'-0"
4 3 2 1 0 1

WINGWALL No. 3

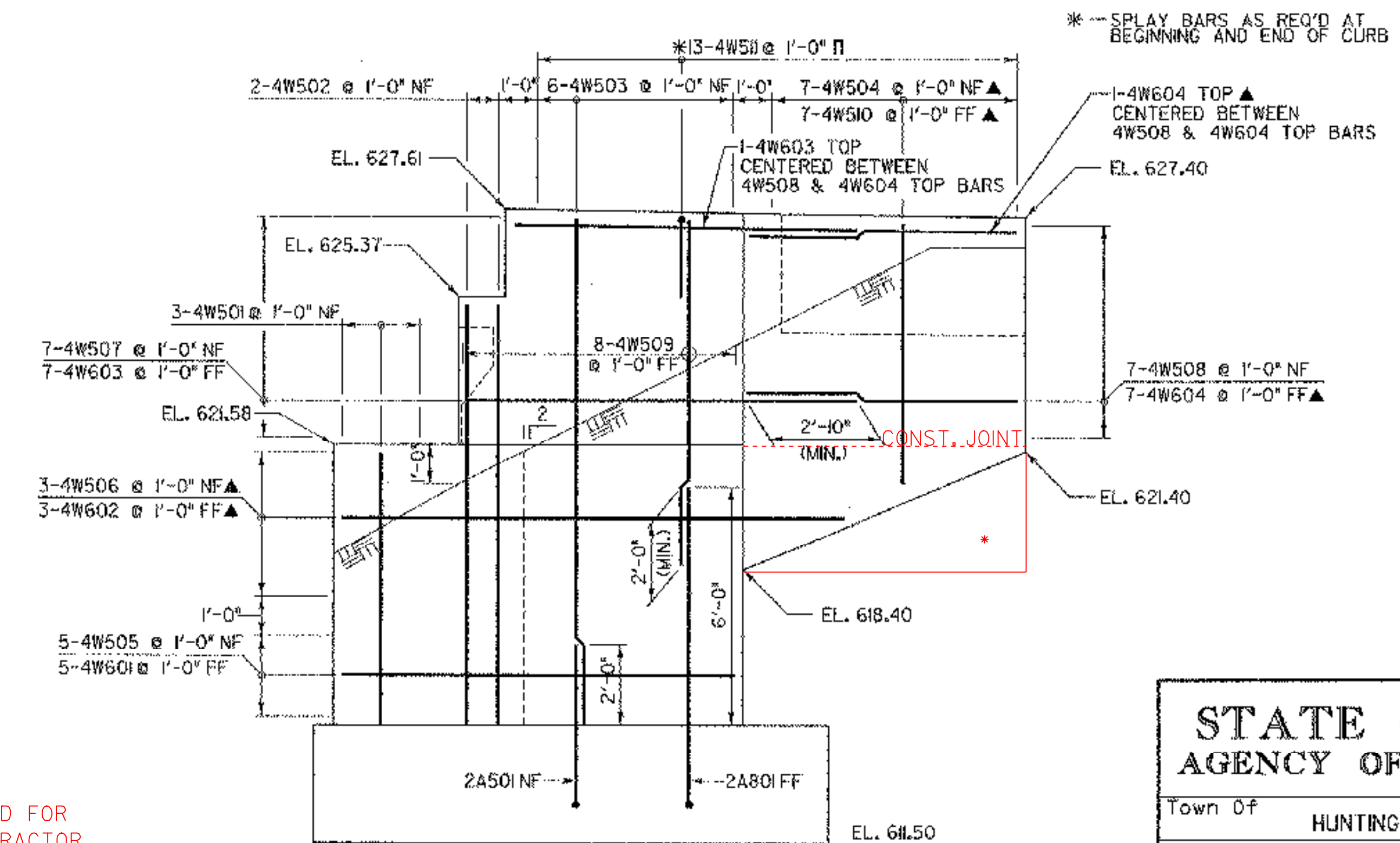
SCALE 3/8" = 1'-0"
4 3 2 1 0 1



WINGWALL No. 3 ELEVATION

SCALE 3/8" = 1'-0"
1 0 1 2 3 4

* WING FILLET EXCLUDED FOR CONVENIENCE OF CONTRACTOR



WINGWALL No. 4 ELEVATION

SCALE 3/8" = 1'-0"
1 0 1 2 3 4

NOTE:

NF = NEAR FACE
FF = FAR FACE
EF = EACH FACE
▲ = CUT TO FIT IN FIELD
3" CLR. UNLESS OTHERWISE SPECIFIED ON THE PLANS.

**STATE OF VERMONT
AGENCY OF TRANSPORTATION**

Town Of	HUNTINGTON	Bridge No.	42
Highway No.	T.H. 4	Log Sta.	
		Surv. Sta.	
EAST STREET (T.H. #4) OVER HUNTINGTON RIVER			
ABUTMENT NO. 2 WINGWALL DETAILS			
Designed By	T. KNIGHT	Drawn By	J. SOTER
Checked By	S. BURBANK	Date	06/05
		Bridge Design Supervisor	M. CHENETTE
		Date	09/05
PROJECT	HUNTINGTON	PROJECT NO.	BRO 1445 (29)
DH Dgn: ...Cadd\Trans\z01\302abut2w.dgn Plot Date: 1/30/2006		Bridge Sheet No.	
		Sheet 47 of 63	