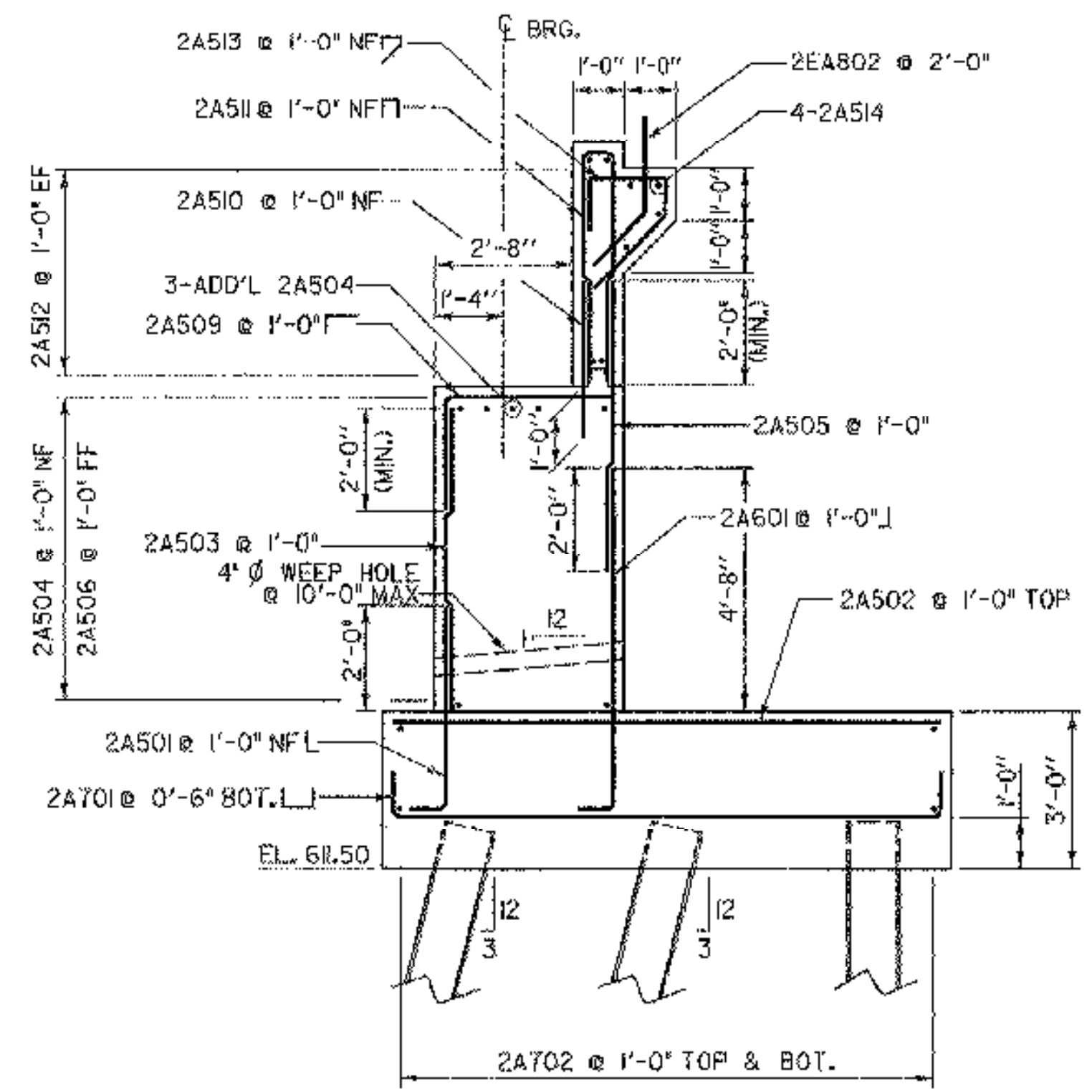
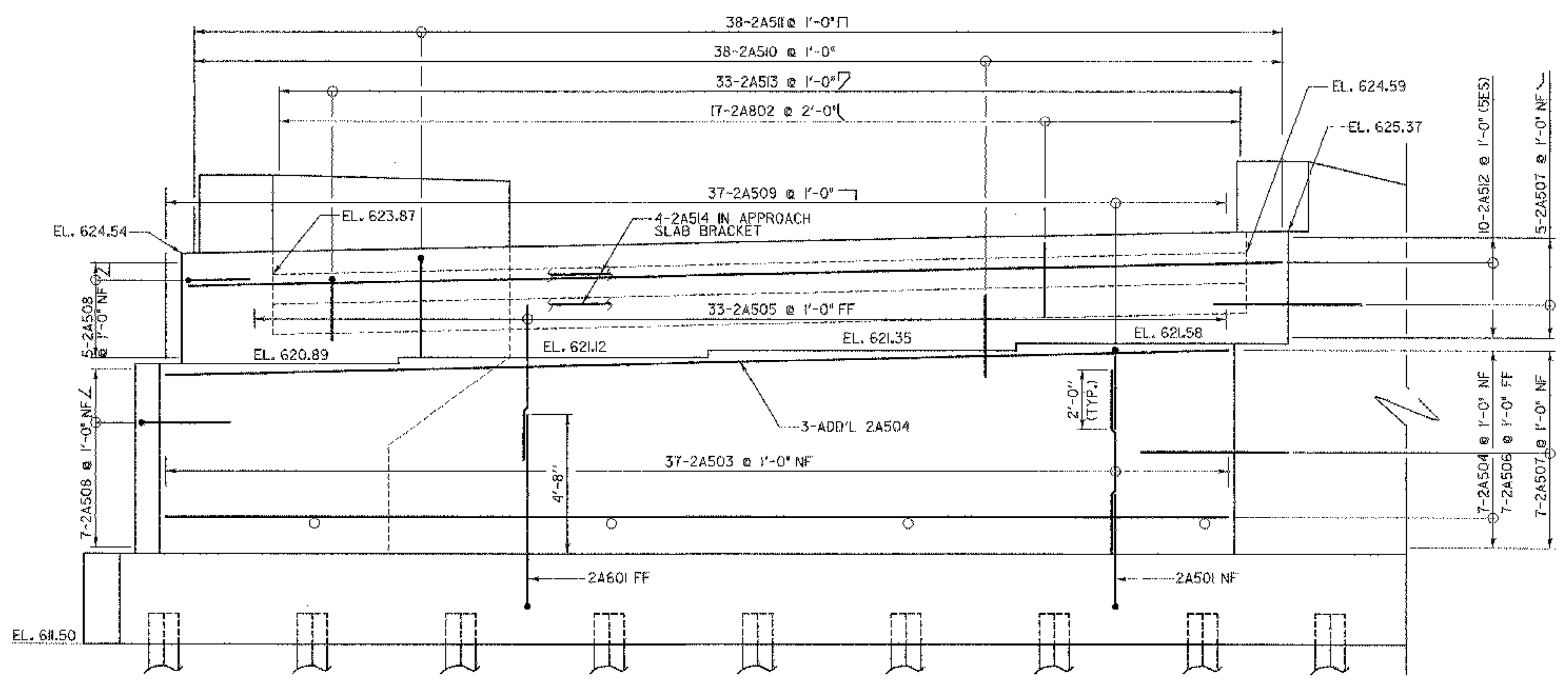


ABUTMENT 2 PLAN
 SCALE 3/8" = 1'-0"
 0 1 2 3 4



ABUTMENT NO. 2 TYPICAL SECTION
 SCALE 3/8" = 1'-0"
 0 1 2 3 4



ABUTMENT 2 ELEVATION
 SCALE 3/8" = 1'-0"
 0 1 2 3 4

NOTE:
 NF = NEAR FACE
 FF = FAR FACE
 EF = EACH FACE
 ▲ = CUT TO FIT IN FIELD

STATE OF VERMONT AGENCY OF TRANSPORTATION		
Town of	HUNTINGTON	Bridge No. 42
Highway No.	T.H. 4	Log Sta. Surv. Sta.
EAST STREET (T.H. #4) OVER HUNTINGTON RIVER		
ABUTMENT NO. 2 PLAN AND ELEVATION		
Designed By	T. KNIGHT	Drawn By T. KNIGHT
Checked By	S. BURBANK	Bridge Design Supervisor
Date	08/05	Date 09/05
PROJECT	HUNTINGTON	PROJECT NO. BRO 1445 (29)
DH Dgn: ... \Cadd\Trans\201302abut2.dgn Plot Date: 1/12/2006		Bridge Sheet No. Sheet 45 of 63

