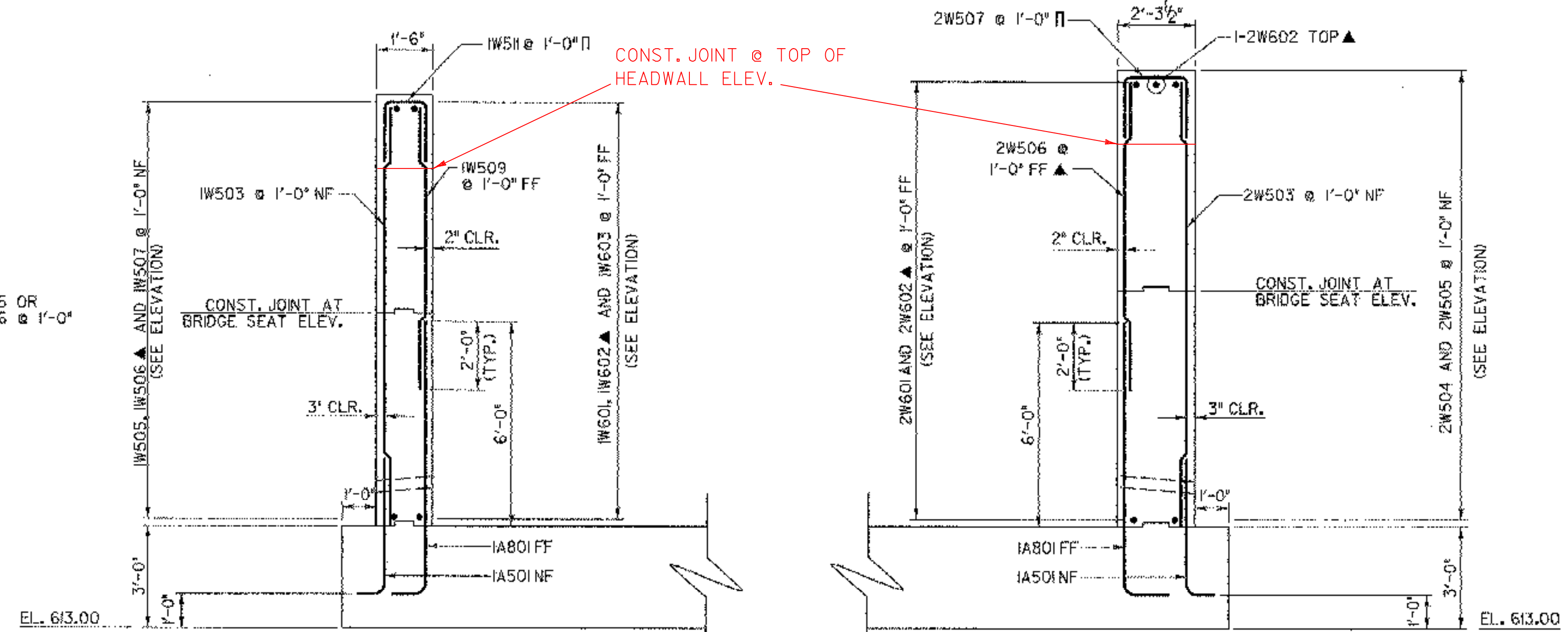
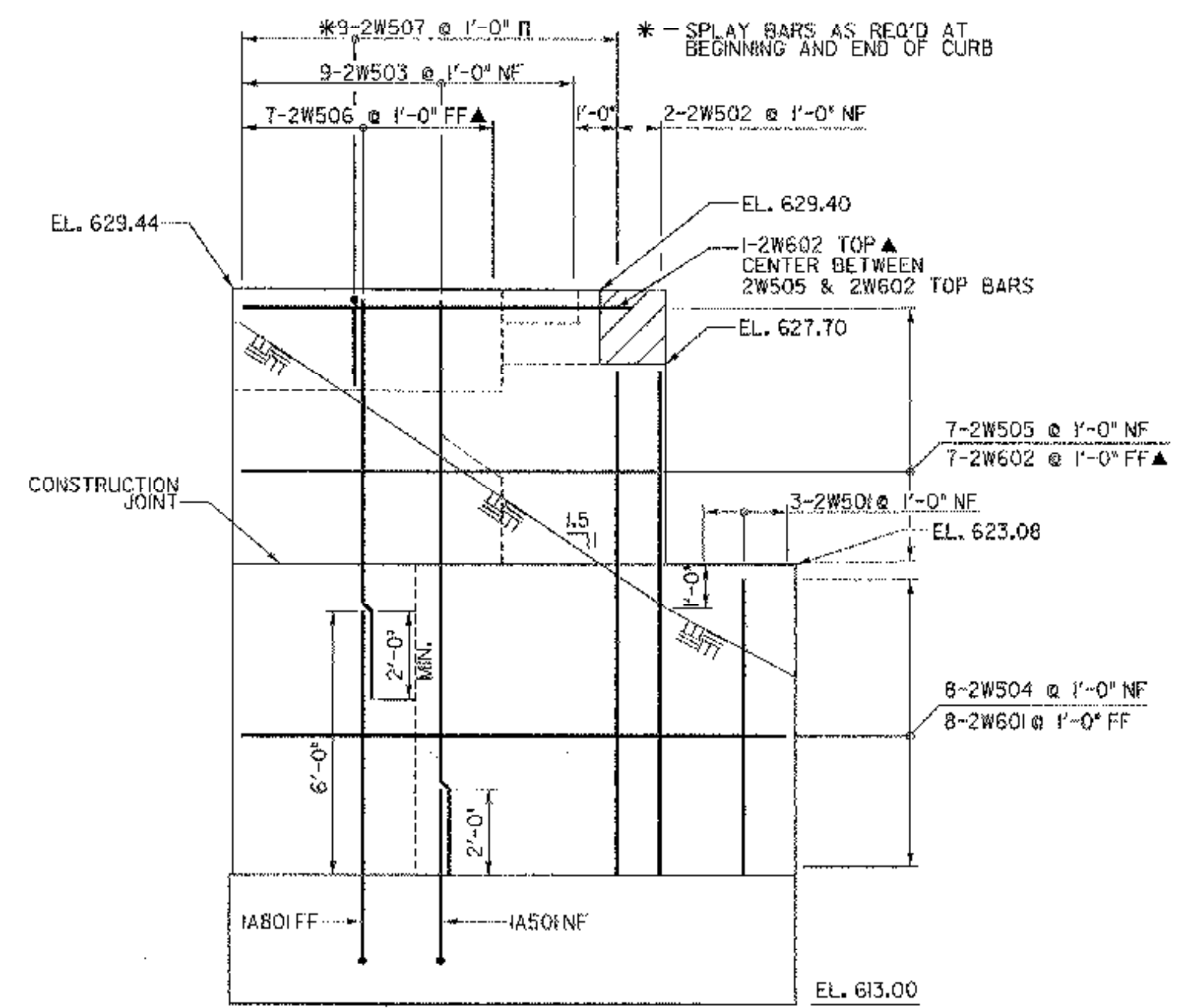


ABUTMENT 1 - CORNER REINFORCEMENT
(BELOW BEAM SEAT)
SCALE 3/8" = 1'-0"
0 1 2 3 4

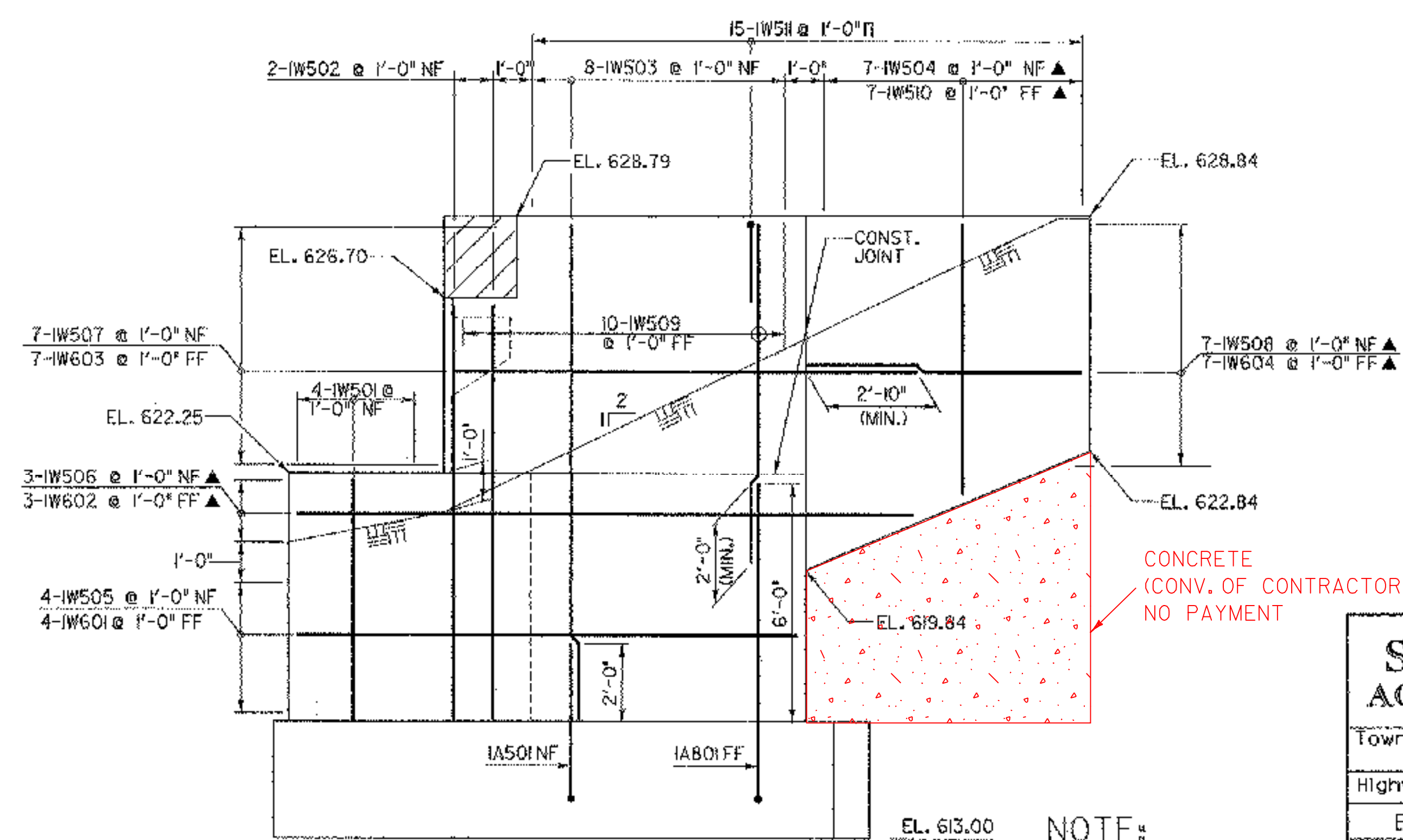


WINGWALL No. 1
SCALE 3/8" = 1'-0"
0 1 2 3 4

WINGWALL No. 2
SCALE 3/8" = 1'-0"
0 1 2 3 4



WINGWALL No. 2 ELEVATION
SCALE 3/8" = 1'-0"
0 1 2 3 4



WINGWALL No. 1 ELEVATION
SCALE 3/8" = 1'-0"
0 1 2 3 4

NOTE:
NF = NEAR FACE
FF = FAR FACE
EF = EACH FACE
▲ = CUT TO FIT IN FIELD
3" CLR. UNLESS OTHERWISE SPECIFIED ON THE PLANS.

STATE OF VERMONT AGENCY OF TRANSPORTATION	
Town Of HUNTINGTON	Bridge No. 42
Highway No. T.H. 4	Log Sta. Surv. Sta.
EAST STREET (T.H. #4) OVER HUNTINGTON RIVER	
ABUTMENT NO. 1 WINGWALL DETAILS	
Designed By T. KNIGHT	Drawn By J. SOTER
Checked By S. BURBANK	Bridge Design Supervisor M. CHENETTE
Date 06/05	Date 09/05
PROJECT HUNTINGTON	PROJECT NO. BRO 1445 (29)
DH Dgn: ... \cadd\Trans\z01302abufw.dgn Plot Date: 1/12/2006	
Bridge Sheet No.	Sheet 44 of 63