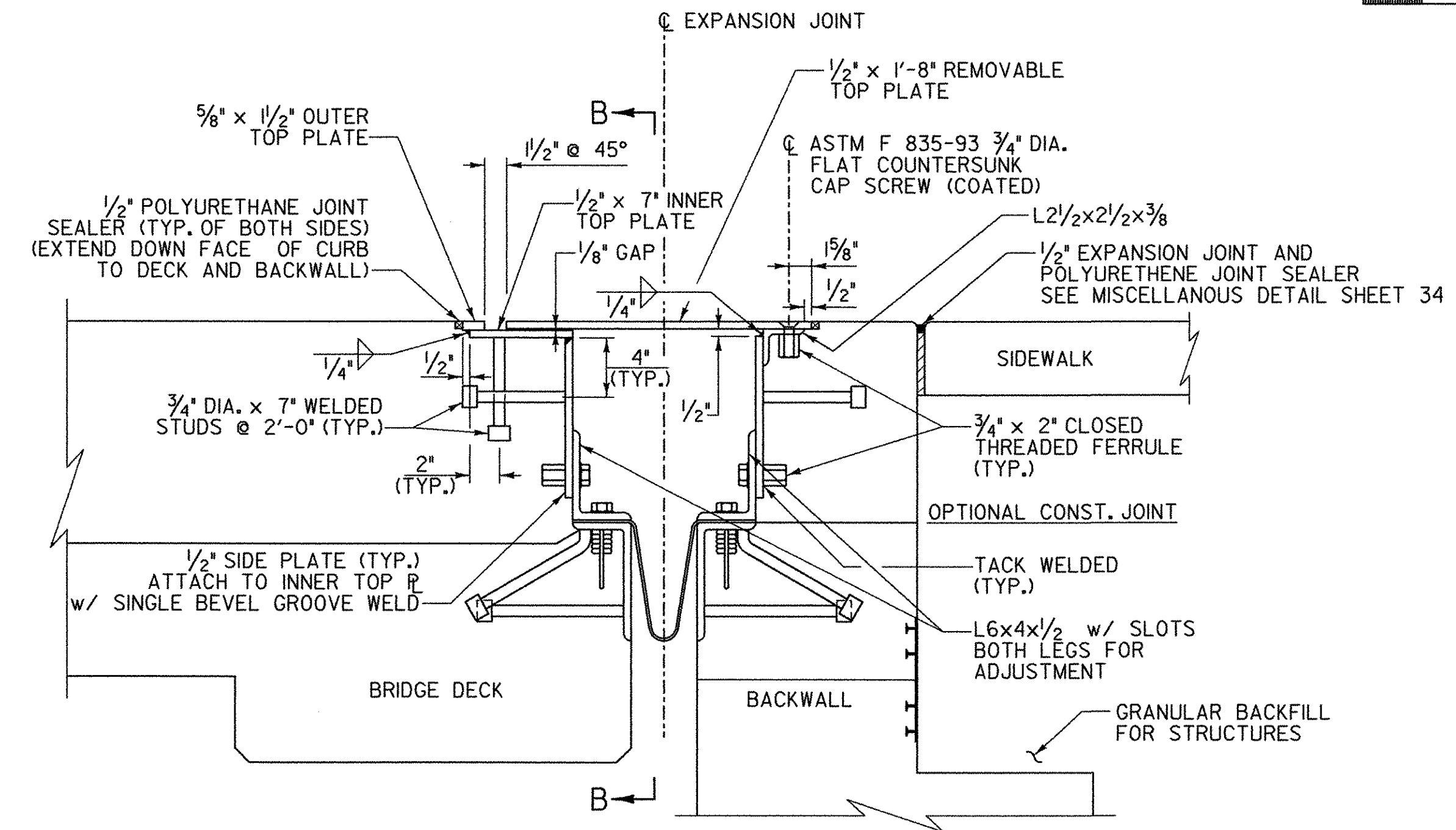


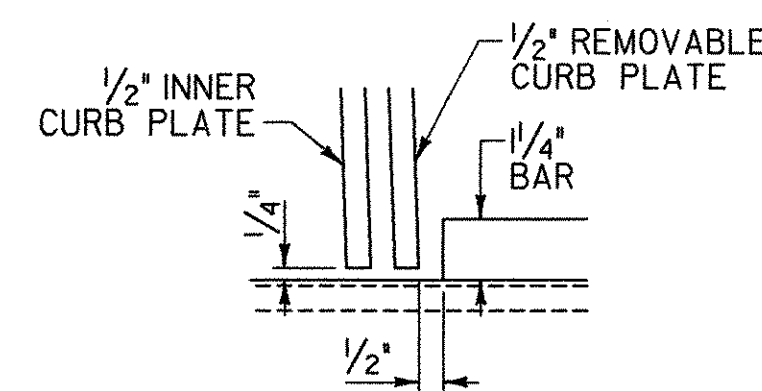
PLAN VIEW

SCALE 1/2" = 1'-0"
 1 0 1 2



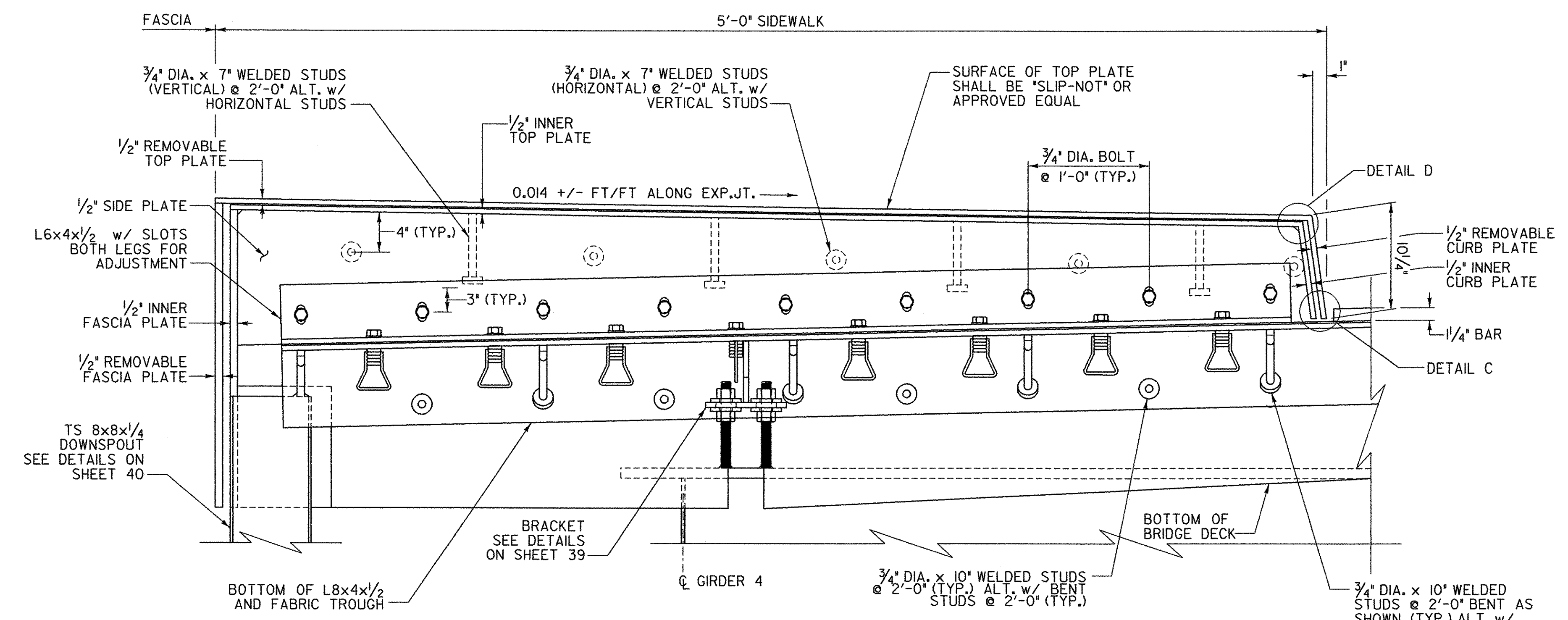
SECTION A-A

SCALE 1/2" = 1'-0"



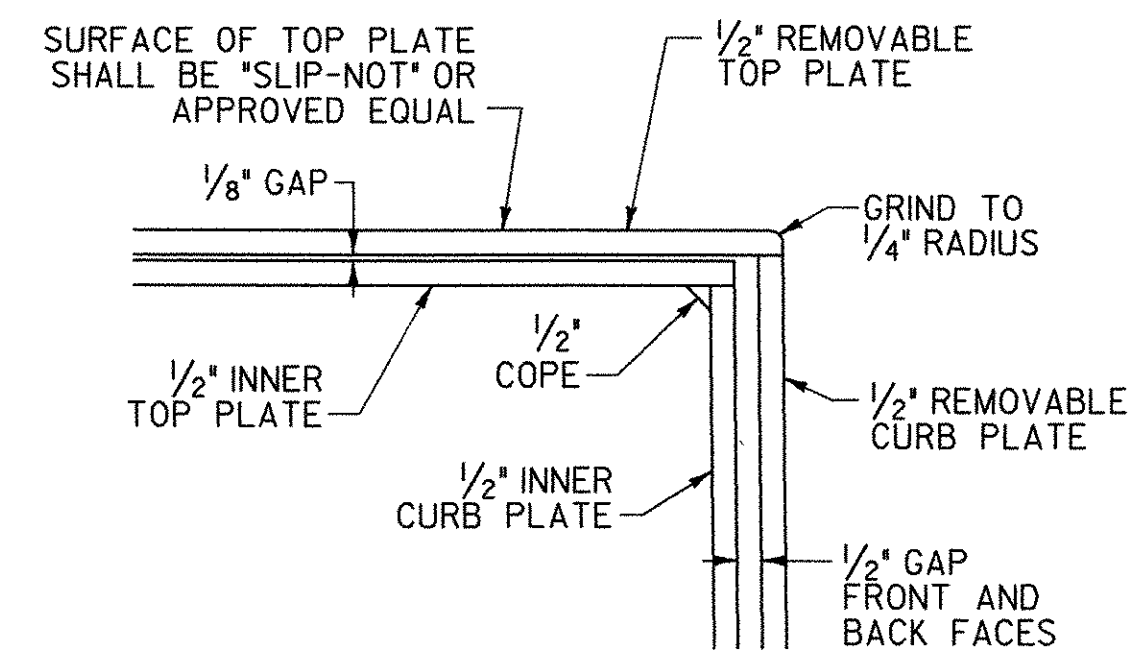
DETAIL C

SCALE 3" = 1'-0"



SECTION B-B

SCALE 1/2" = 1'-0"



DETAIL D

SCALE 3" = 1'-0"



STATE OF VERMONT AGENCY OF TRANSPORTATION			
Town Of	HUNTINGTON	Bridge No.	42
Highway No.	T.H. 4	Log Sta.	
		Surv. Sta.	
EAST STREET (T.H. #4) OVER HUNTINGTON RIVER			
EXPANSION JOINT PLAN			
Designed By	S. BURBANK	Drawn By	S. BURBANK
Checked By	M. CHENETTE	Date	08/05
		Bridge Design Supervisor	M. CHENETTE Date 09/05
PROJECT	HUNTINGTON	PROJECT NO.	BRO 1445 (29)
DH Dgn.: ...Cadd\Trans\201302expjtl.dgn		Plot Date:	1/2/2006
Bridge Sheet No.		Sheet	37 of 63

