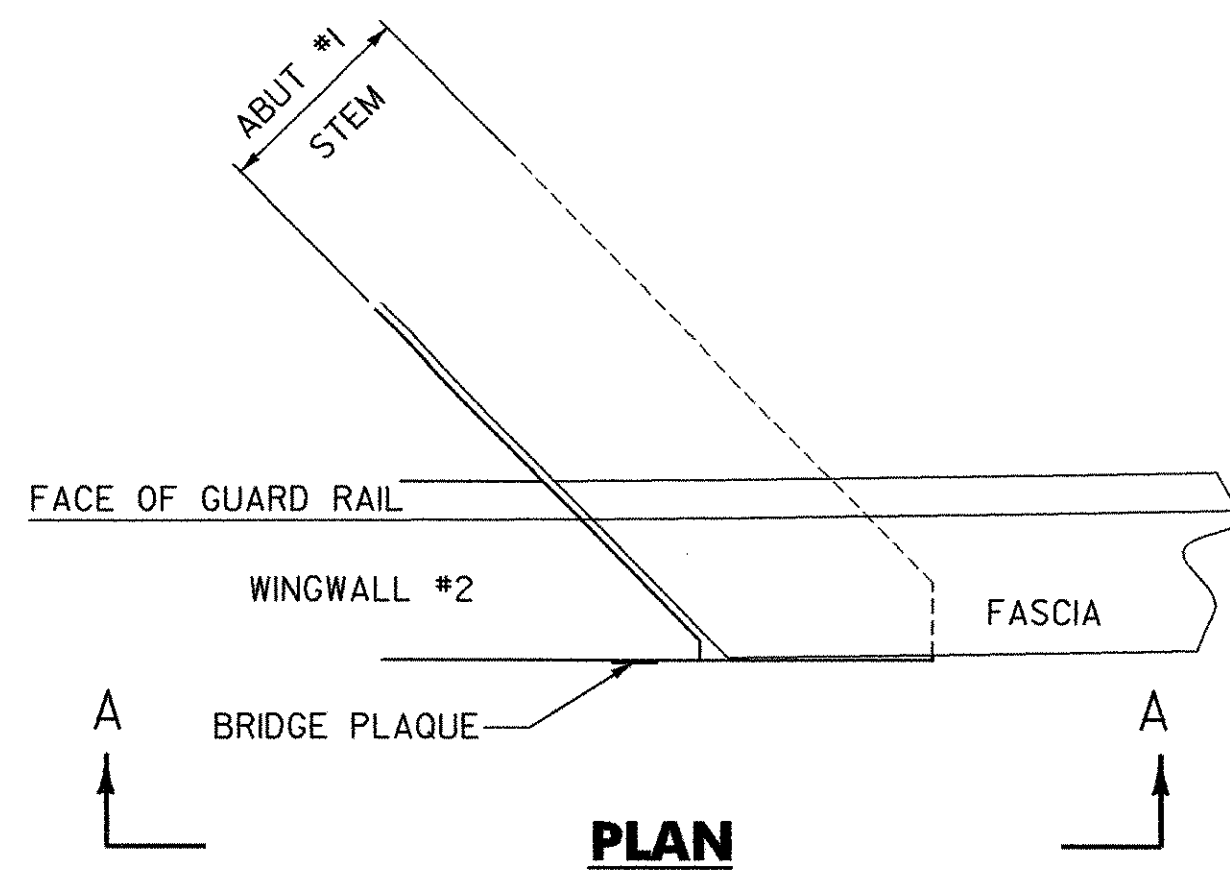
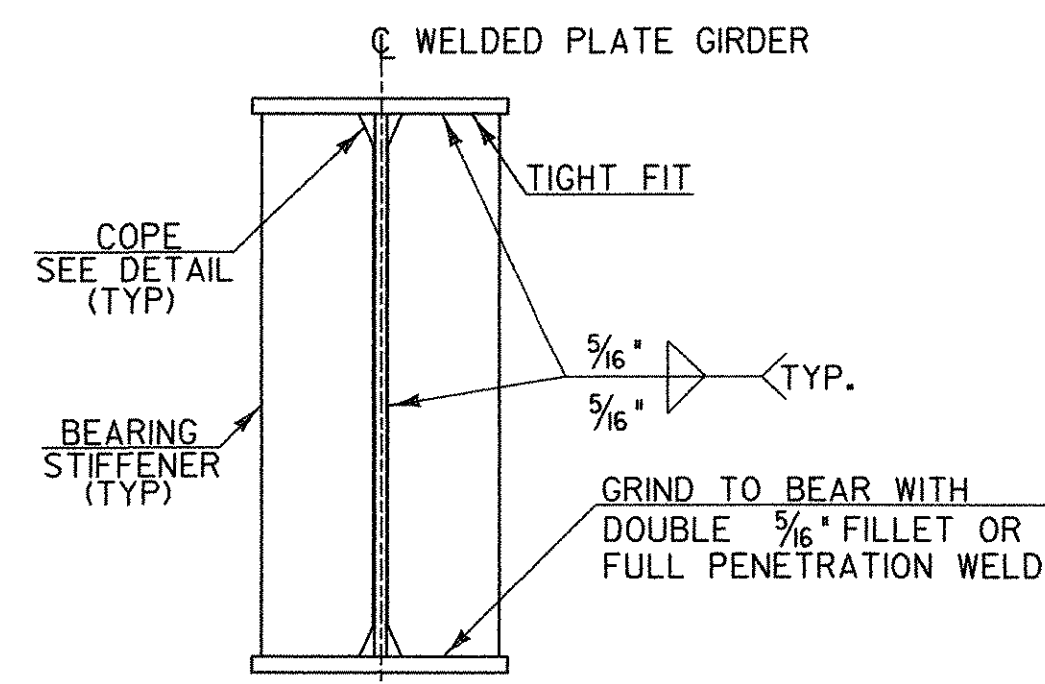


WELD LOCATION DETAIL AT CROSS FRAMES

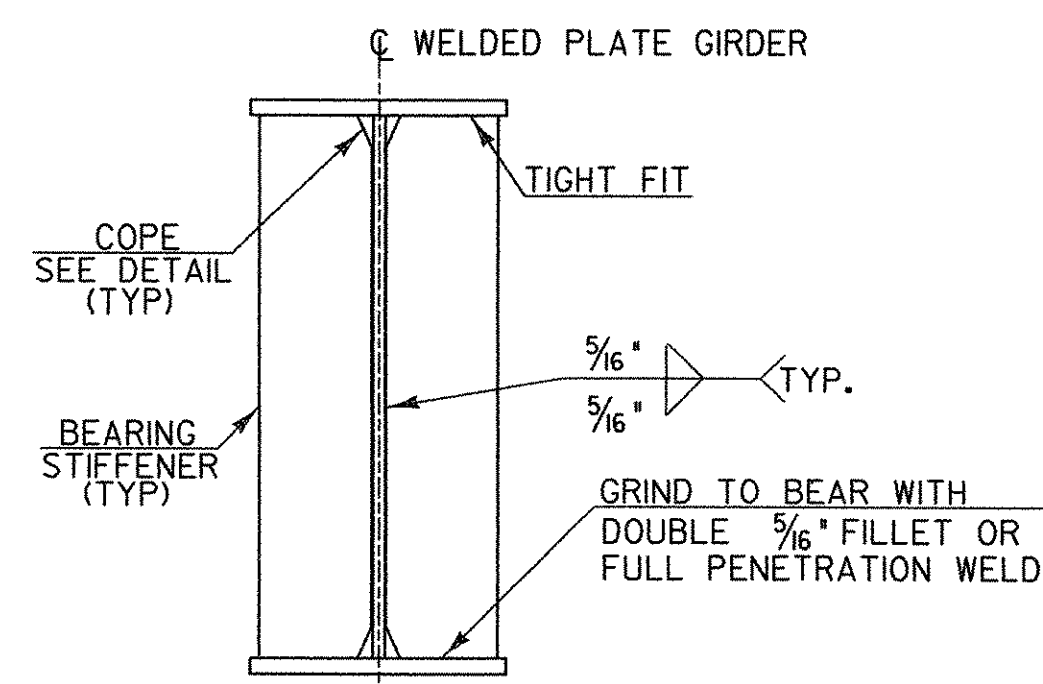


LOCATE BRIDGE PLAQUE

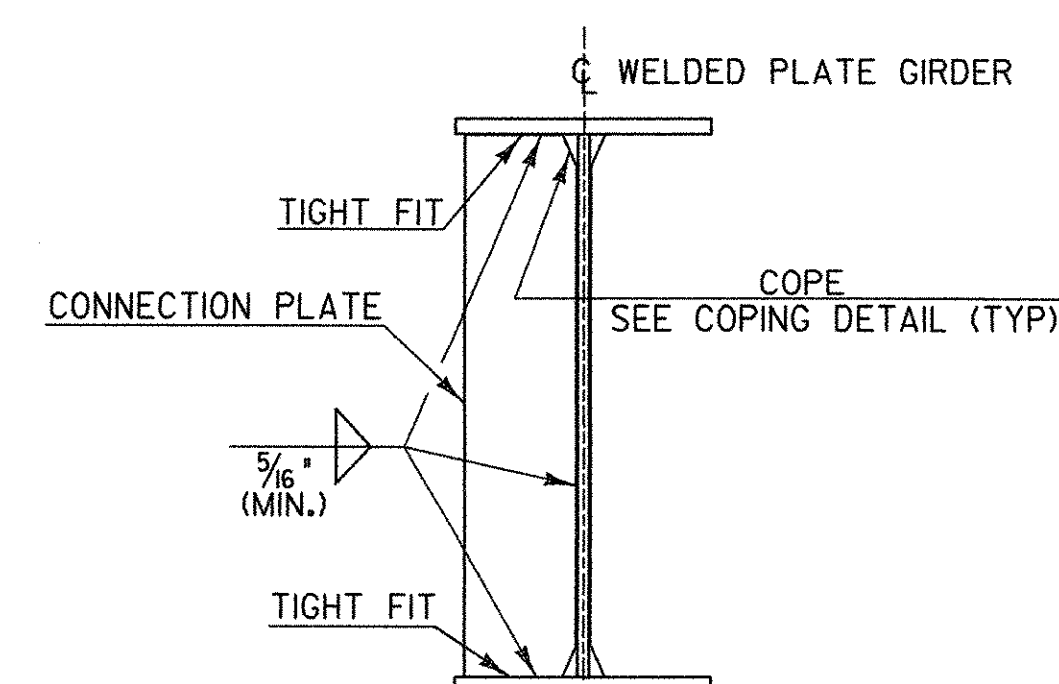
THE BRIDGE PLAQUE WILL BE SUPPLIED BY THE AGENCY OF TRANSPORTATION AND SHALL BE INSTALLED BY THE CONTRACTOR AT ABUTMENT #1 ON THE RIGHT SIDE AS SHOWN OR AS DIRECTED BY ENGINEER.



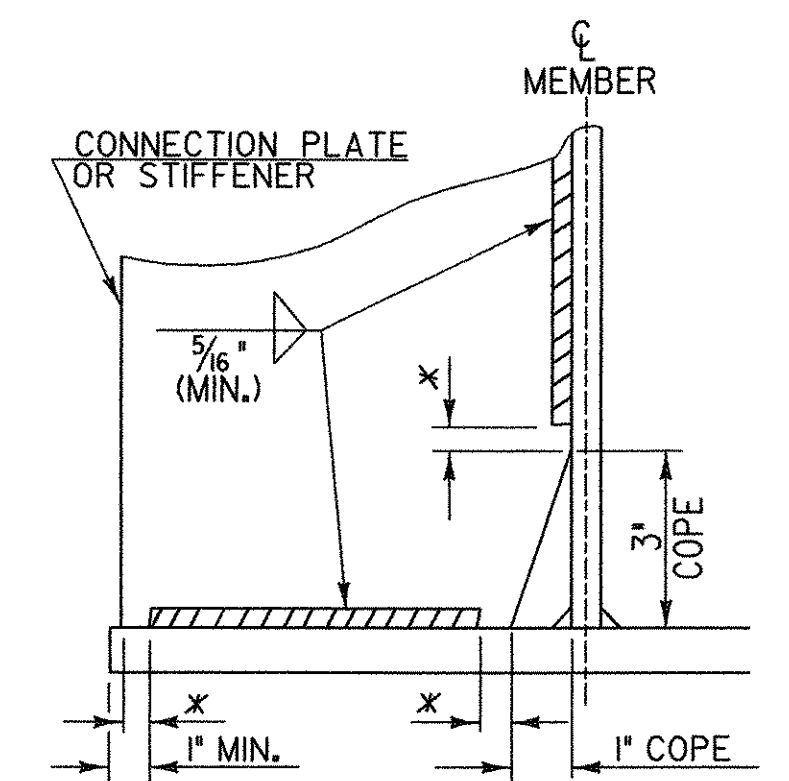
ABUTMENT BEARING STIFFENERS FOR WELDED PLATE GIRDERS



PIER BEARING STIFFENERS FOR WELDED PLATE GIRDERS

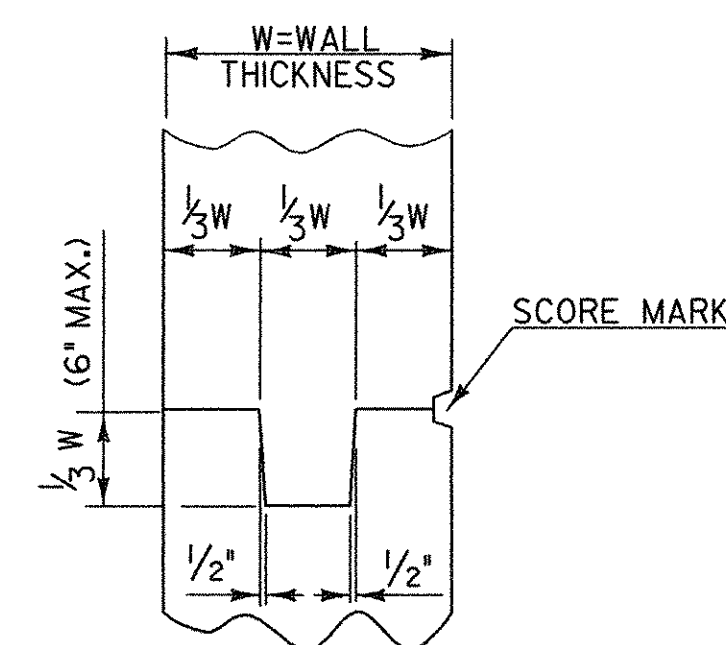


INTERMEDIATE CONNECTION PLATES FOR WELDED PLATE GIRDERS

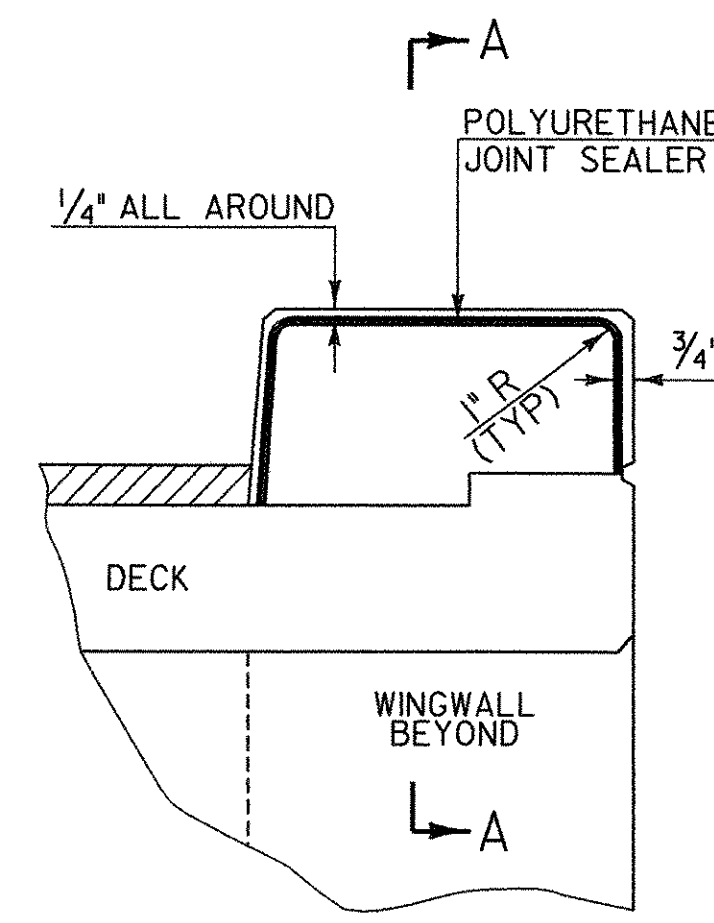


WELD TERMINATION AND COPING DETAILS FOR STEEL MEMBERS

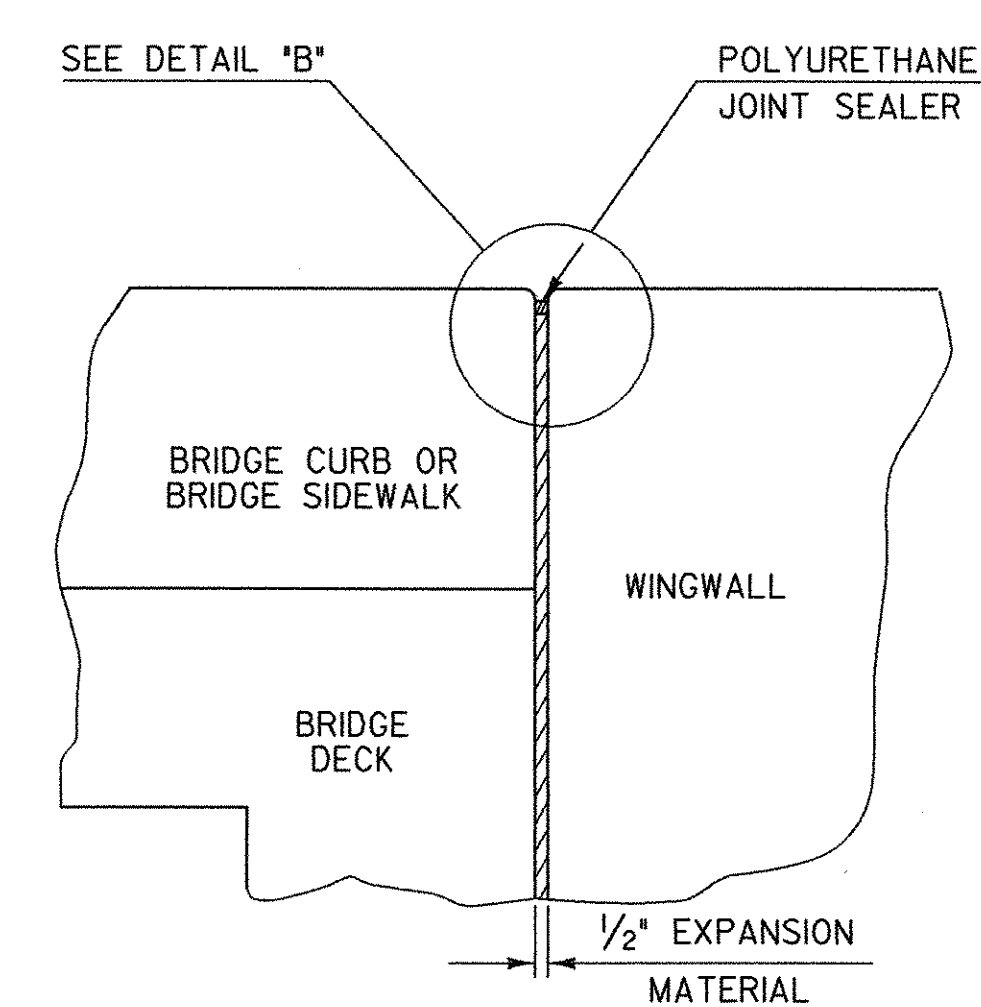
*NO WELD FOR 3/8" MIN., 7/8" MAX. (EXCEPT MUST MAINTAIN 1" MINIMUM FROM EDGE OF FLANGE)



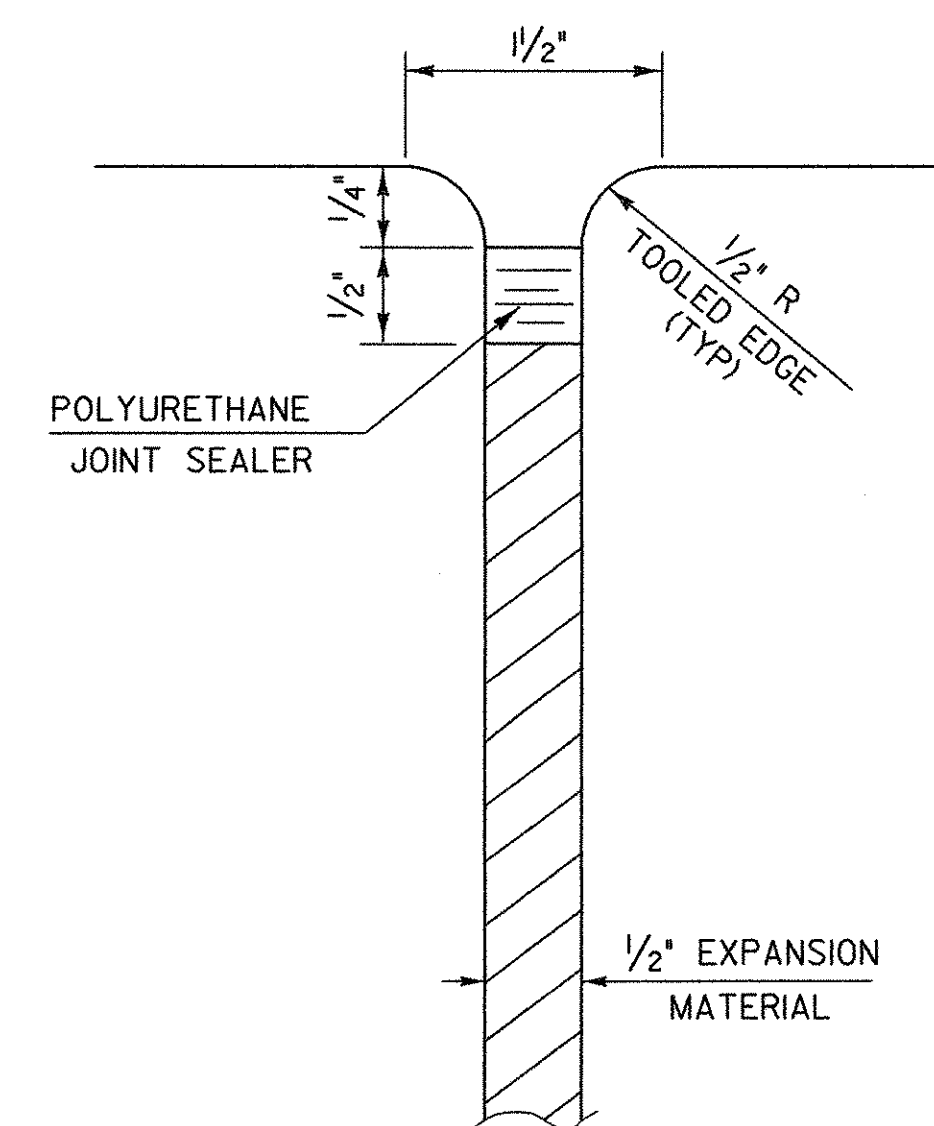
TYPICAL CONCRETE CONSTRUCTION JOINT



TYPICAL SECTION THROUGH CURB OR SIDEWALK JOINT AT FIXED END OF BRIDGE

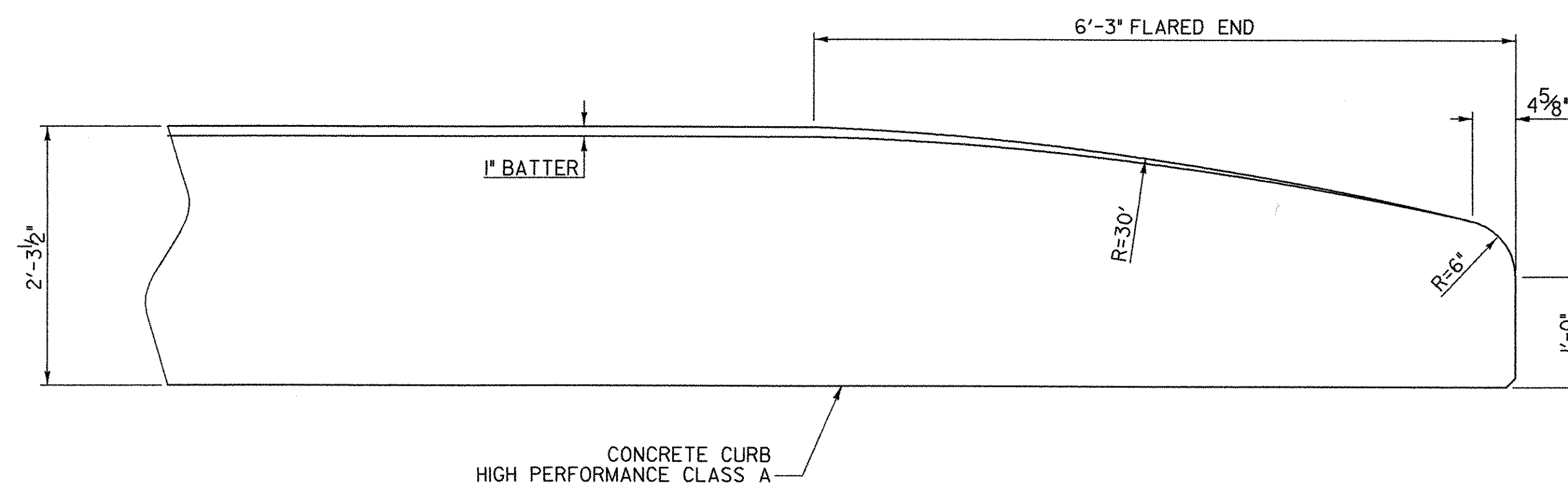


SECTION A - A



DETAIL "B"

FOR DETAILS OF POLYURETHANE JOINT SEALER SEE SUBSECTION 524.06



FLARED END FOR WINGWALL CURB

CONCRETE CURB
HIGH PERFORMANCE CLASS A

STATE OF VERMONT AGENCY OF TRANSPORTATION

Town Of	HUNTINGTON	Bridge No.	42
Highway No.	T.H. 4	Log Sta.	
		Surv. Sta.	
EAST STREET (T.H. #4) OVER HUNTINGTON RIVER			
MISCELLANEOUS DETAILS			
Designed By	G. BOGUE	Drawn By	J. SOTER
Checked By	S. BURBANK	Bridge Design Supervisor	M. CHENETTE
Date	06/05	Date	09/05
PROJECT	HUNTINGTON	PROJECT NO.	BRO 1445 (29)
DH Dgn: ... \Cadd\Trans\201302miscdet.dgn		Date:	1/12/2006
Bridge Sheet No.		Sheet	34 of 63