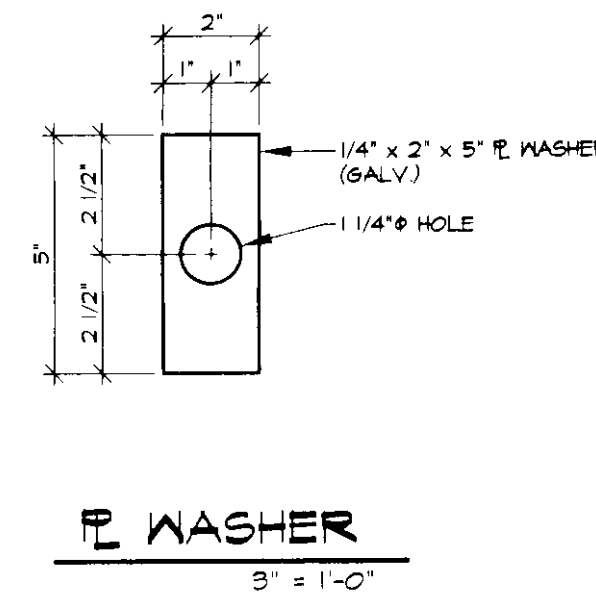
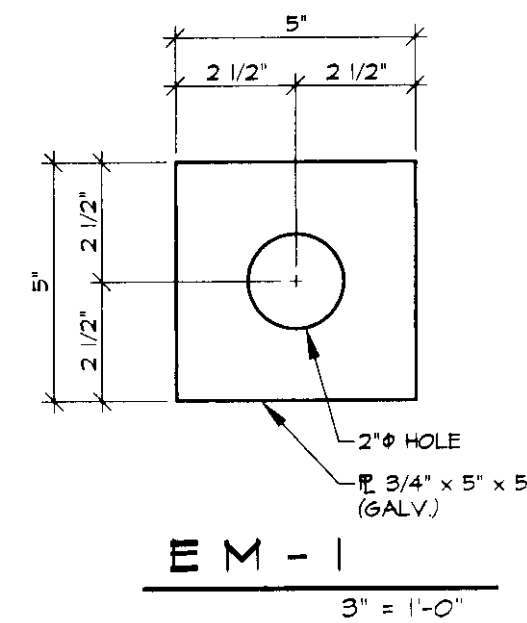
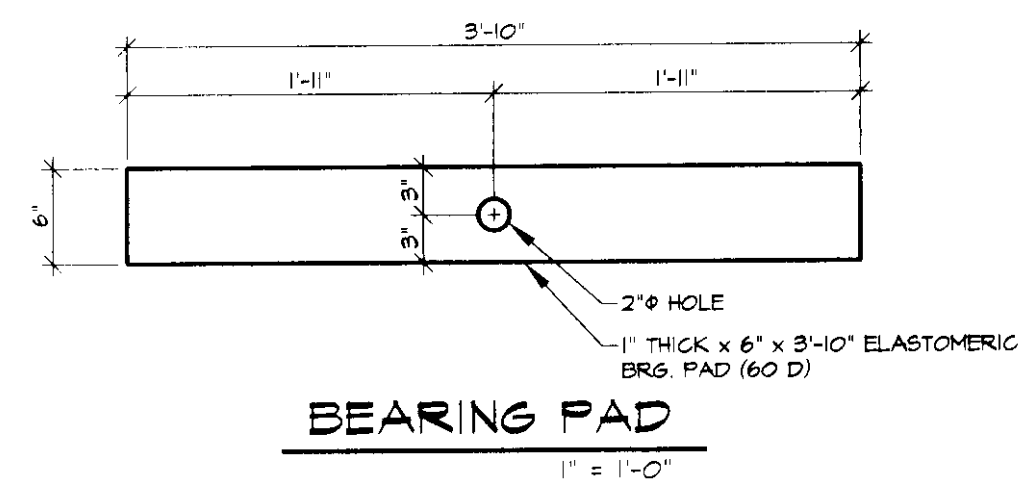
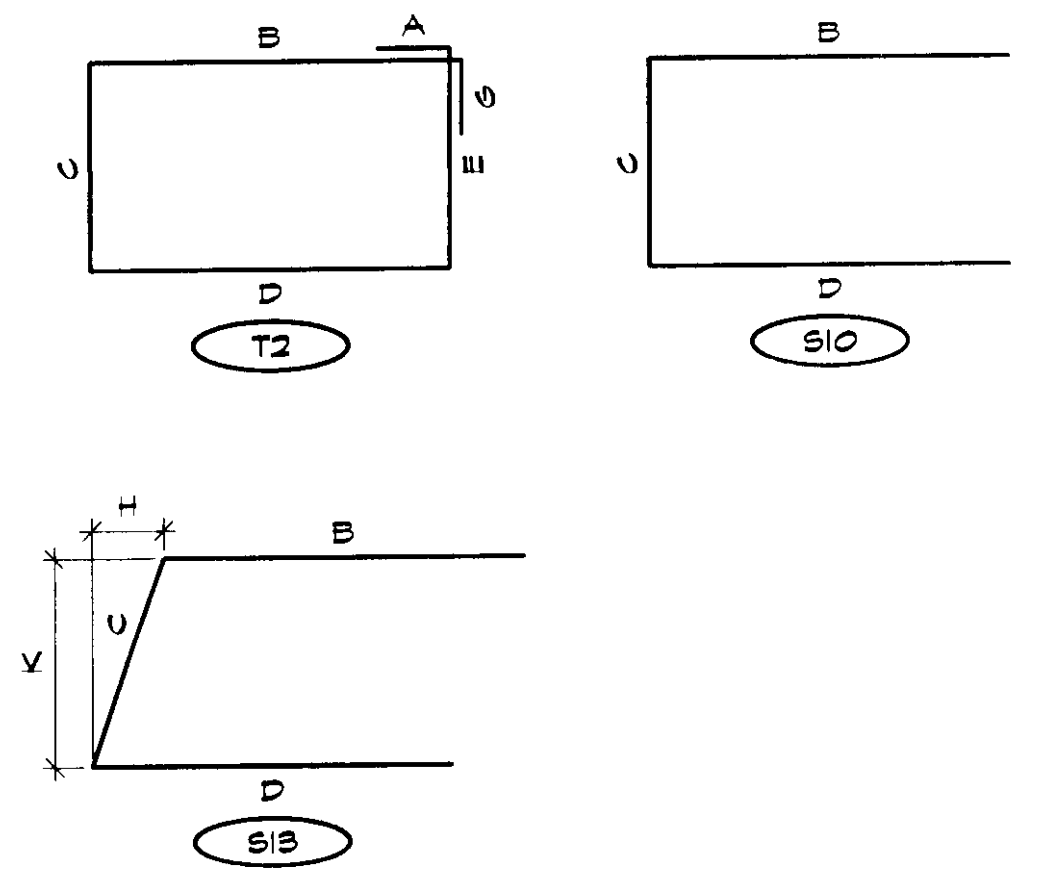


BENT BARS, TIES, & STIRRUPS

ITEM	MARK	QTY.	SIZE	LENGTH	TYPE	A	B	C	D	E	F/R	G	H	J	K	O	GRADE	REMARKS
1	401	148	#4	9'-11 1/2"	T2	6'	3'-7 3/4"	1'-0 1/2"	3'-7 3/4"	1'-0 1/2"		6'					60	
2	402	64	#4	4'-9 1/4"	S10		2'-0"	11 1/4"	2'-0"								60	
3	403	12	#4	7'-4 1/4"	S10		2'-0"	3'-6 1/4"	2'-0"								60	
4	403	12	#4	7'-4 1/2"	S13		2'-0"	3'-6 1/2"	2'-0"				4 5/8"		3'-6 1/4"		60	
5																		
6		4	#5	24'-6"	STR.												60	
7		4	#5	24'-1"	STR.												60	
8		4	#5	24'-10"	STR.												60	
9		4	#5	25'-2"	STR.												60	
10																		
11																		
12																		
13																		
14																		
15																		
16																		
17																		
18																		
19																		
20																		

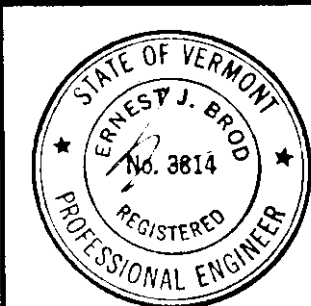
MISCELLANEOUS MATERIALS

ITEM	MARK	QTY.	DESCRIPTION	REMARKS
1	EM-1	4	1/2" x 2" x 5" W/ (1) 2" HOLE (GALV.)	FOR ERECTION, SEE DETAIL THIS SHEET
2		4	SINGLE USE STRESSING CHUCK	FOR ERECTION
3		2	1/2" POLYSTYRAND x 20'-0"	FOR ERECTION
4		8	1" THICK x 6" x 3'-10" ELASTOMERIC BRG. PAD	FOR ERECTION, SEE DETAIL THIS SHEET
5		2	#8 x 2'-4" ANCHOR DOVEL	FOR ERECTION
6				
7		16	DOUBLE 1/2" STRAND LIFTING LOOP	
8		16	PRESET GALV. ANCHOR	
9		32	1" x 5" A325 THREADED ROD	HOT DIPPED GALVANIZED
10		32	1/4" x 2" x 5" W/ (1) 1/4" HOLE	GALVANIZED, SEE DETAIL THIS SHEET
11		32	STANDARD WASHER	
12		64	1" NUTS	GALVANIZED
13		32	3/8" THREADED CLOSED FERRULE x 1 1/8" LONG	1 1/4" THREAD LENGTH
14				
15				
16				
17				
18				
19				
20				



NO.	DATE	REVISION

DRAWN: B.M. LOPEZ
 DESIGNED: E.J. BROD
 CHECKED: _____
 APPROVED: _____



J.P. CARRARA & SONS INC.
 Precast & Prestress Manufacturer
 2464 CASE STR., MIDDLEBURY, VERMONT 05753
 Phone: (802) 388-6361
 Fax: (802) 388-9010

TOWN OF PLYMOUTH, VERMONT
 HC 70, BOX 39A
 PLYMOUTH, VERMONT 05056

Project Name:
PLYMOUTH BRIDGE #32
 TH32 OVER BROAD BROOK
 PLYMOUTH, VERMONT

MATERIALS LIST

SCALE: NOTED
 JOB #: 23106-00
 DATE: 8-21-00
 SHEET #: M1