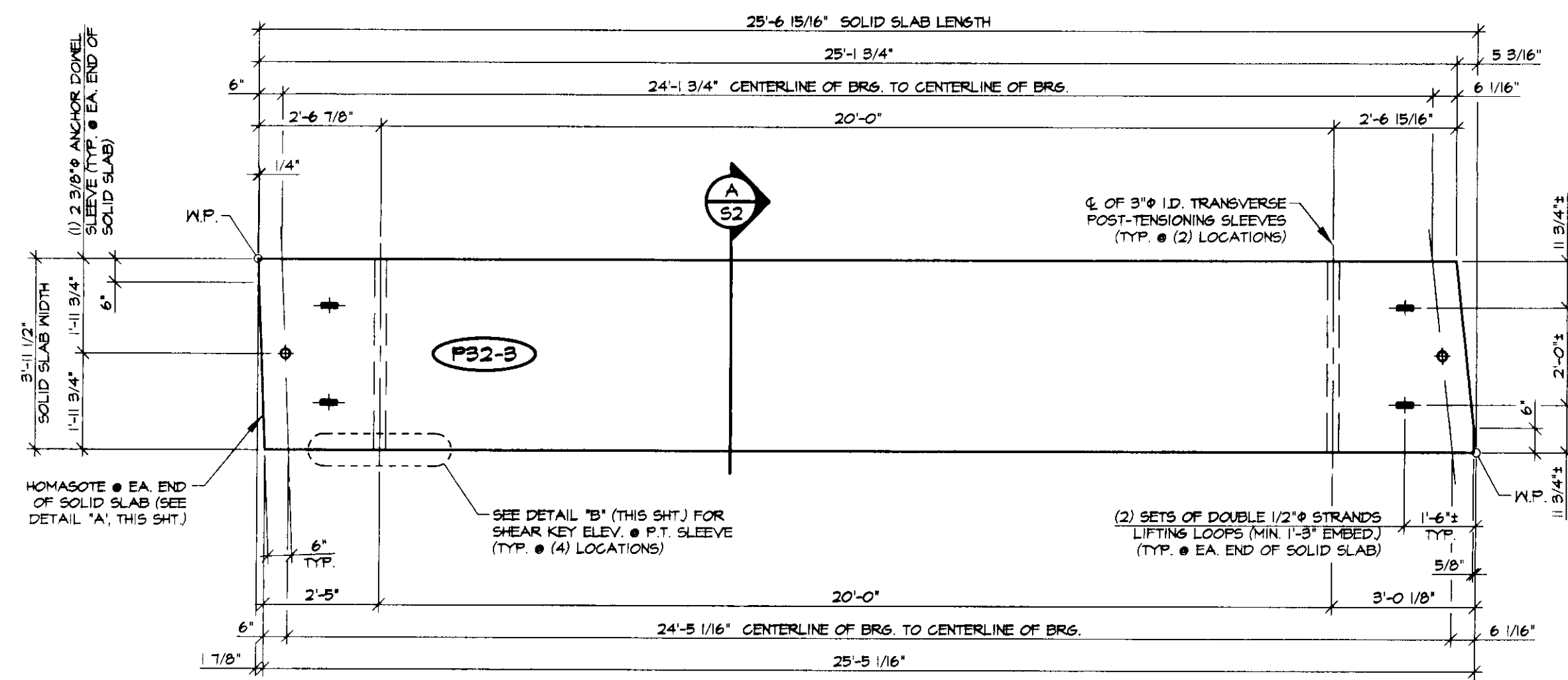
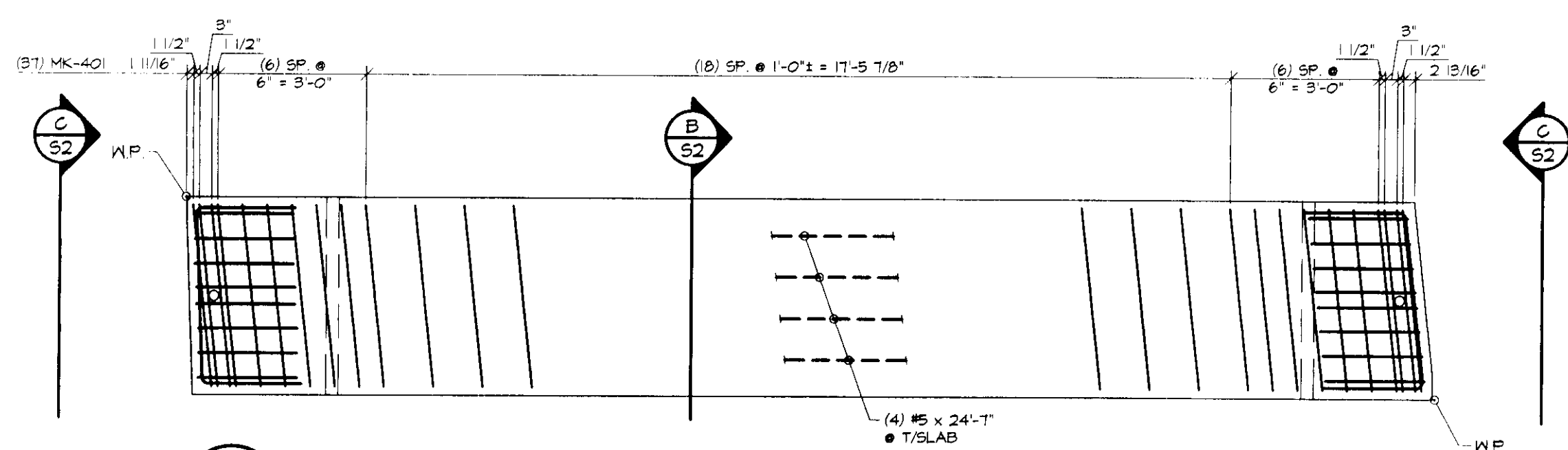


1 DIMENSIONAL PLAN
S2
3/8" = 1'-0"

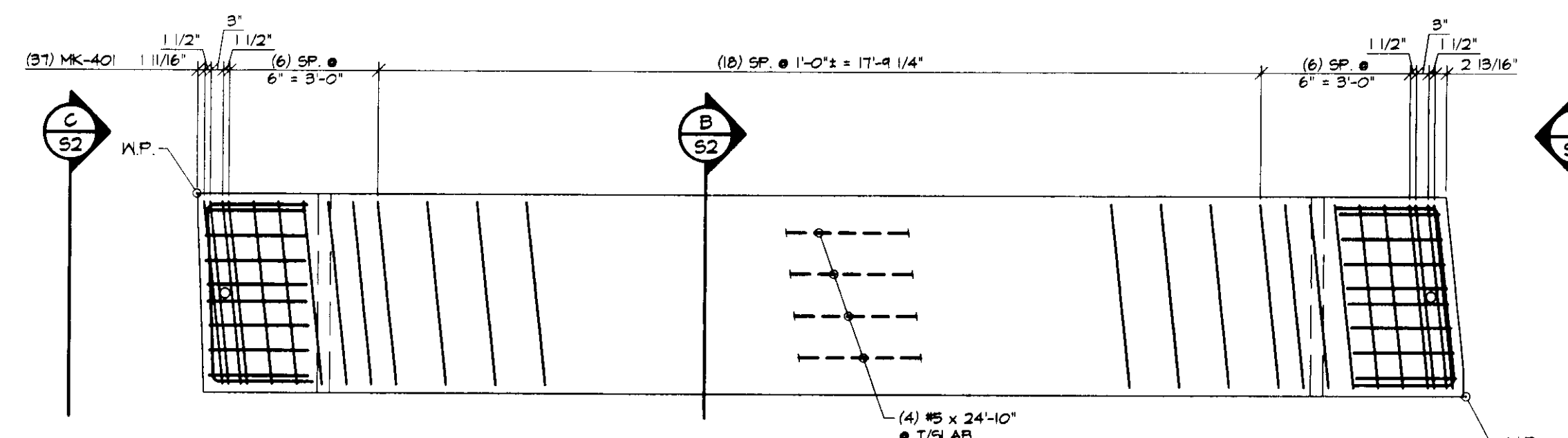


2 DIMENSIONAL PLAN
S2
3/8" = 1'-0"



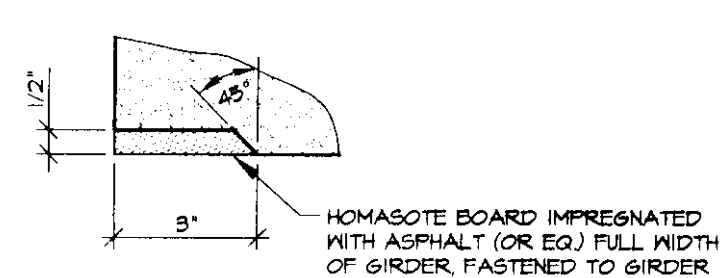
3 REINFORCING PLAN
S2
3/8" = 1'-0"

SHOP NOTES:
- ADJUST REINFORCING AS REQUIRED TO CLEAR P.T. SLEEVES, ETC.
- MK-401 STIRRUPS SHOULD BE PARALLEL TO NON-MARK END.

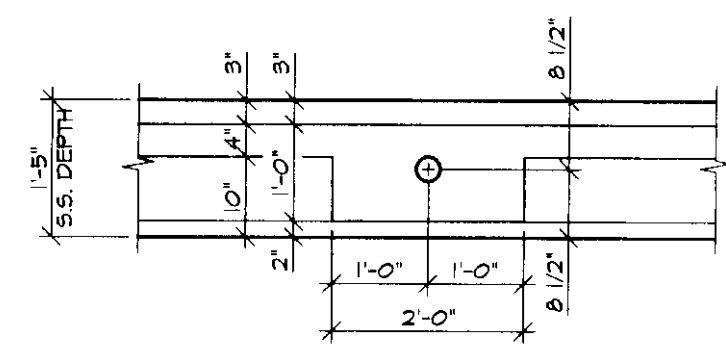


4 REINFORCING PLAN
S2
3/8" = 1'-0"

SHOP NOTES:
- ADJUST REINFORCING AS REQUIRED TO CLEAR P.T. SLEEVES, ETC.
- MK-401 STIRRUPS SHOULD BE PARALLEL TO NON-MARK END.



DETAIL "A"
3" = 1'-0"

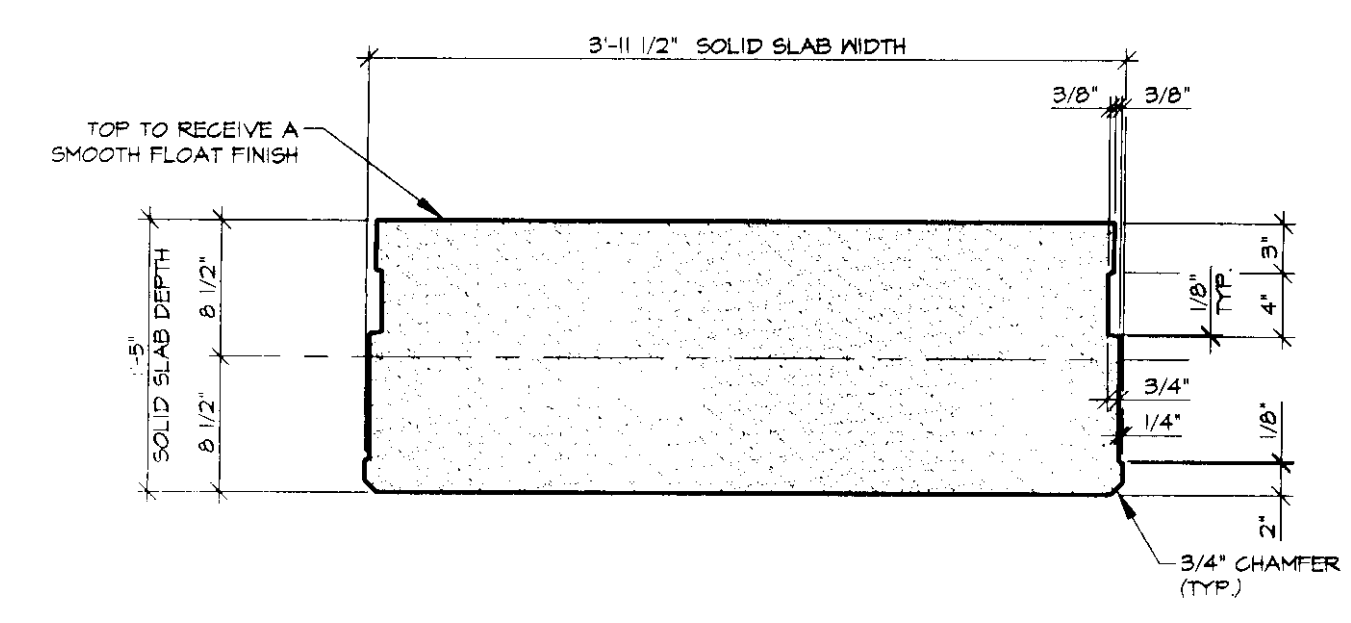


DETAIL "B"
1/2" = 1'-0"

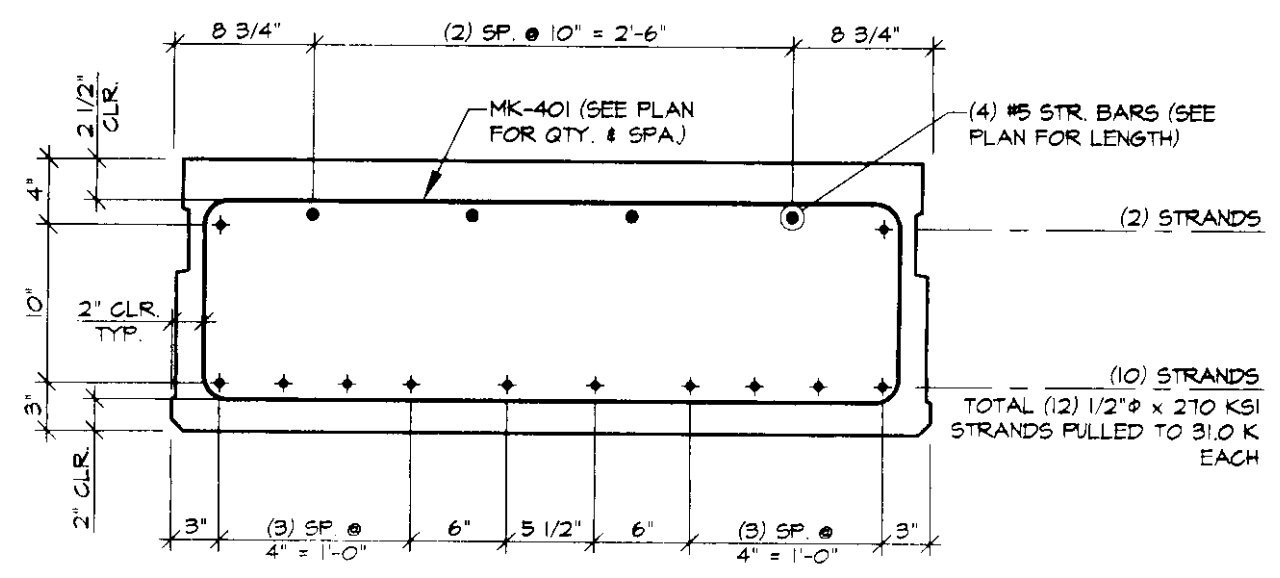
DETENSIONING SCHEDULE

1	2
3	4
5	6
7	8
9	10
11	12
13	14
15	16
17	18
19	20

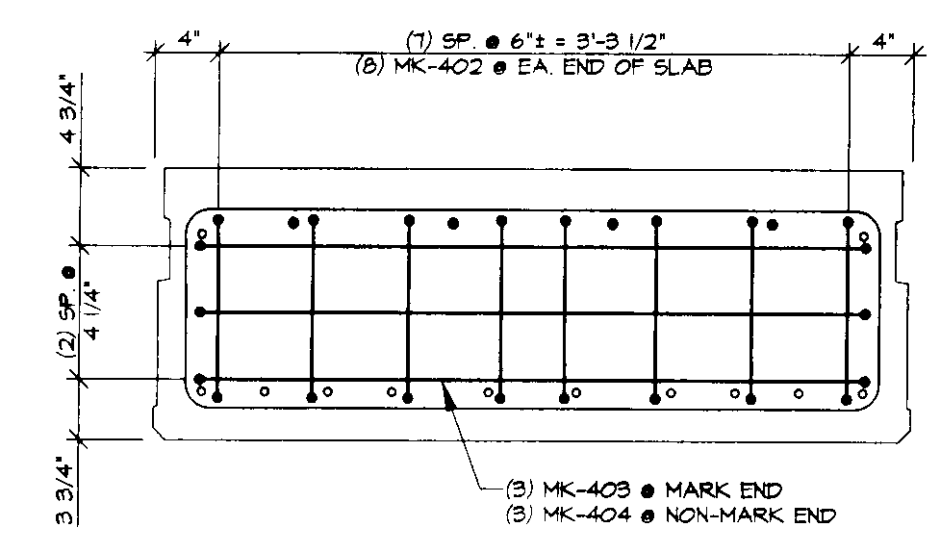
N.T.S.



A DIMENSIONAL SECTION
S2
1" = 1'-0"



B REINFORCING SECTION
S2
1" = 1'-0"



C END BLOCK REINF.
S2
1" = 1'-0"

MARK: P32-2	QTY.: 1	WT./TONS: 10.31	CU. YDS.: 5.09
MARK: P32-3	QTY.: 1	WT./TONS: 10.42	CU. YDS.: 5.15

MATERIAL LIST / SLAB				
ITEM	MARK	DESCRIPTION	QTY./SLAB	
			P32-2	P32-3
1	401	#4 BENT BAR	37	37
2	402	#4 BENT BAR	16	16
3	403	#4 BENT BAR	3	3
4	404	#4 BENT BAR	3	3
5				
6		#5 x 24'-7"	4	
7		#5 x 24'-10"		4
8				
9				
10				
11				
12		DOUBLE 1/2" STRAND LIFTING LOOP	4	4
13				
14				
15				
16				
17				
18				
19				
20				

NO.	DATE	REVISION

DRAWN: B.M. LOPEZ
DESIGNED: E.J. BROD
CHECKED: _____
APPROVED: _____

J.P. CARRARA & SONS INC.
Precast & Prestress Manufacturer
2484 CASE STR. WOODLURY, VERMONT 05753
Phone: (802) 388-8361
Fax: (802) 388-9010

TOWN OF PLYMOUTH, VERMONT
HC 70, BOX 39A
PLYMOUTH, VERMONT 05056

Project Name:
PLYMOUTH BRIDGE #32
TH32 OVER BROAD BROOK
PLYMOUTH, VERMONT

F/S SOLID SLAB DETAILS

SCALE: NOTED
JOB #: 23106-00
DATE: 8-21-00
SHEET #: S2