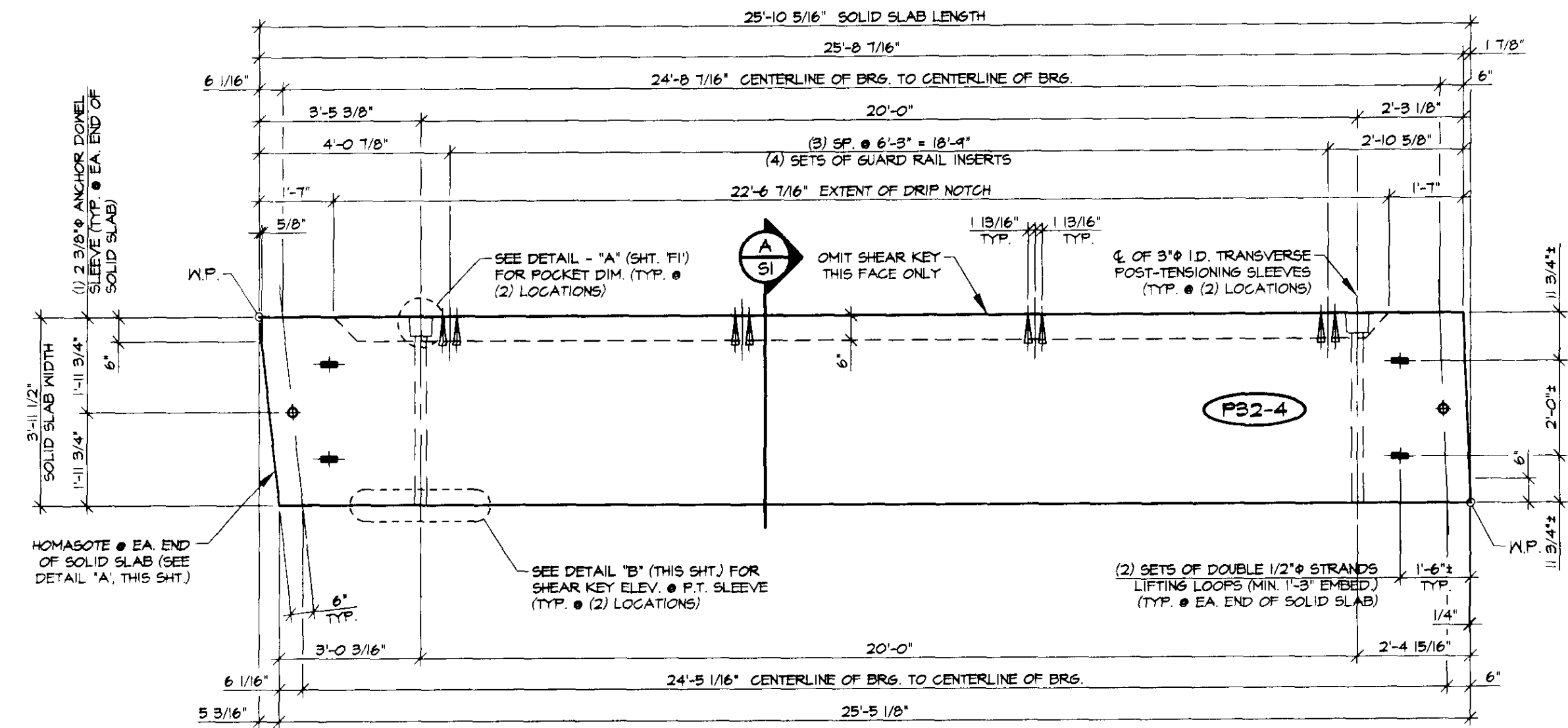
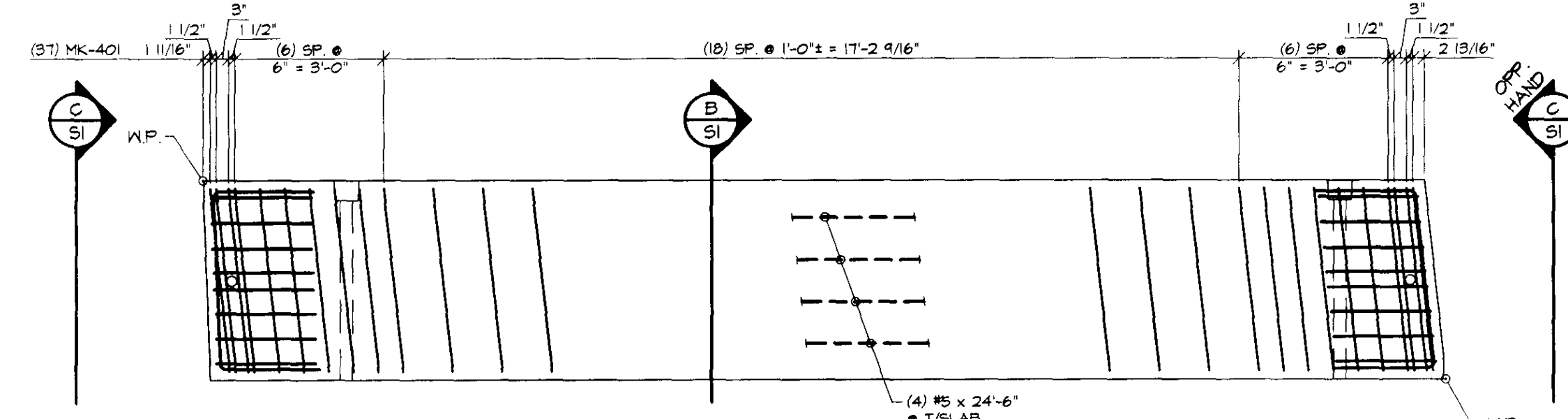


1 DIMENSIONAL PLAN
3/8" = 1'-0"

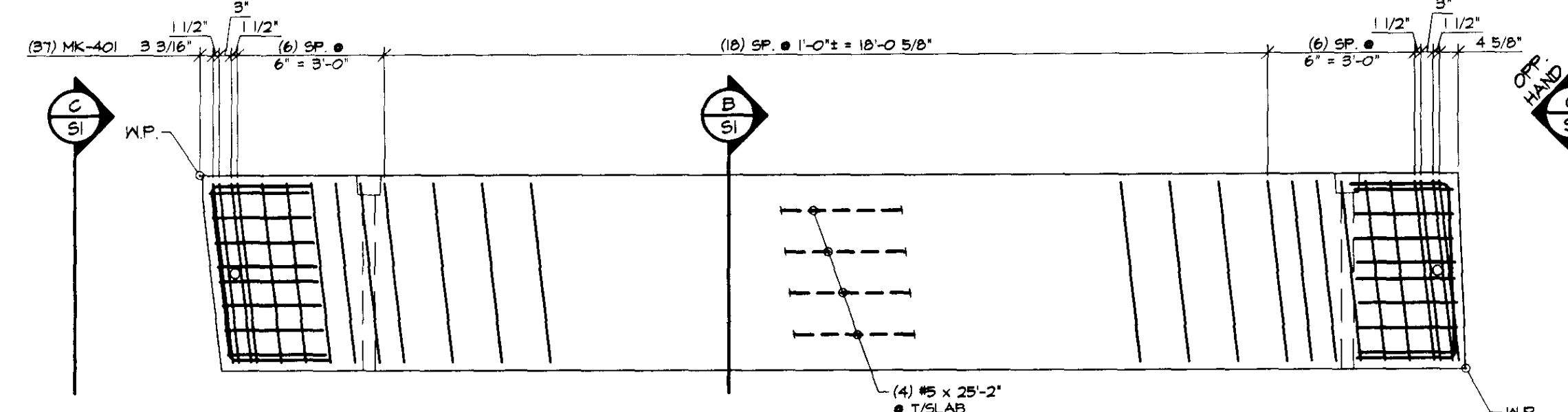


2 DIMENSIONAL PLAN
3/8" = 1'-0"



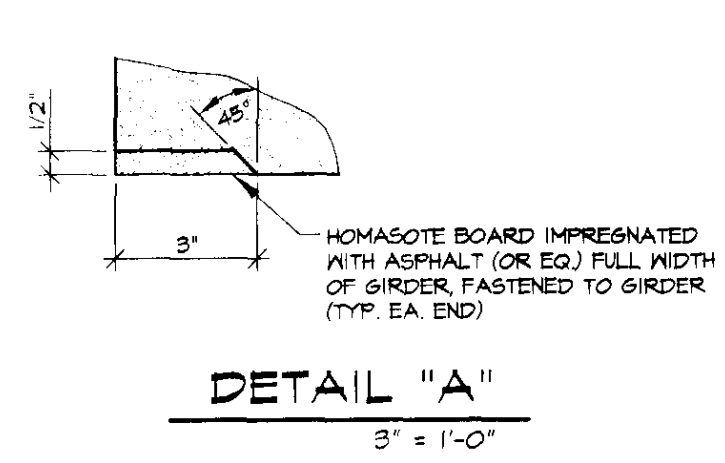
3 REINFORCING PLAN
3/8" = 1'-0"

SHOP NOTES:
- ADJUST REINFORCING AS REQUIRED TO CLEAR P.T. SLEEVES, ETC.
- MK-401 STIRRUPS SHOULD BE PARALLEL TO NON-MARK END.

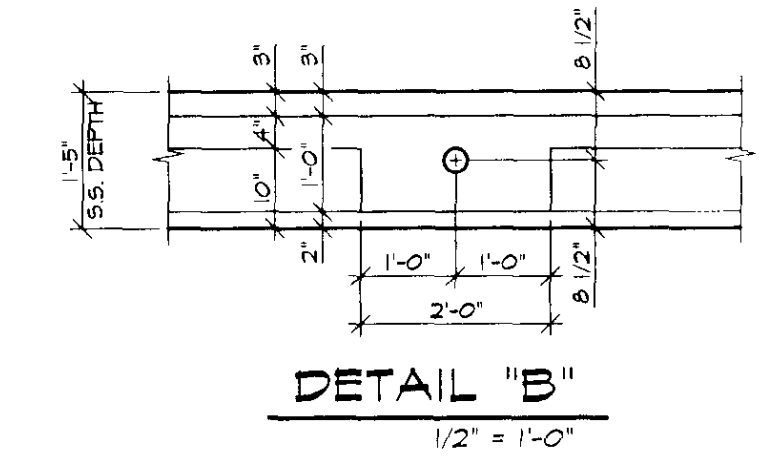


4 REINFORCING PLAN
3/8" = 1'-0"

SHOP NOTES:
- ADJUST REINFORCING AS REQUIRED TO CLEAR P.T. SLEEVES, ETC.
- MK-401 STIRRUPS SHOULD BE PARALLEL TO NON-MARK END.



DETAIL "A"
3" = 1'-0"

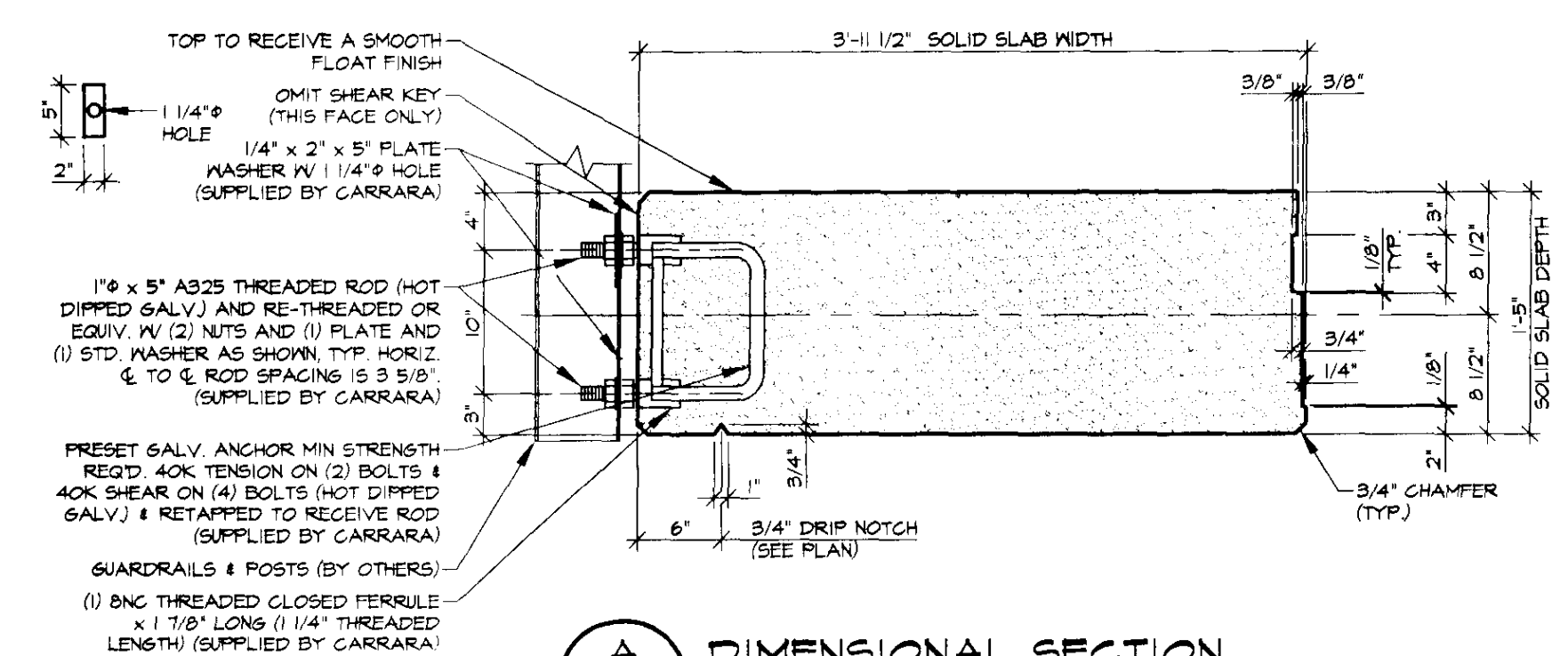


DETAIL "B"
1/2" = 1'-0"

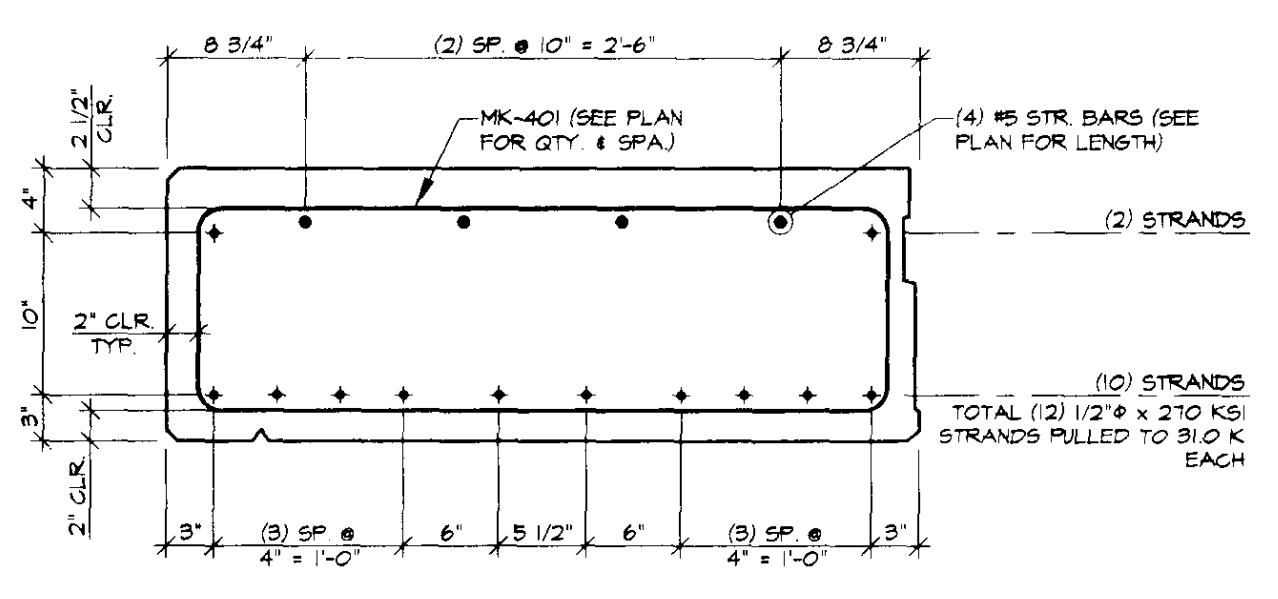
DETENSIONING SCHEDULE

3	5	7	9	11	12	10	8	6	4
---	---	---	---	----	----	----	---	---	---

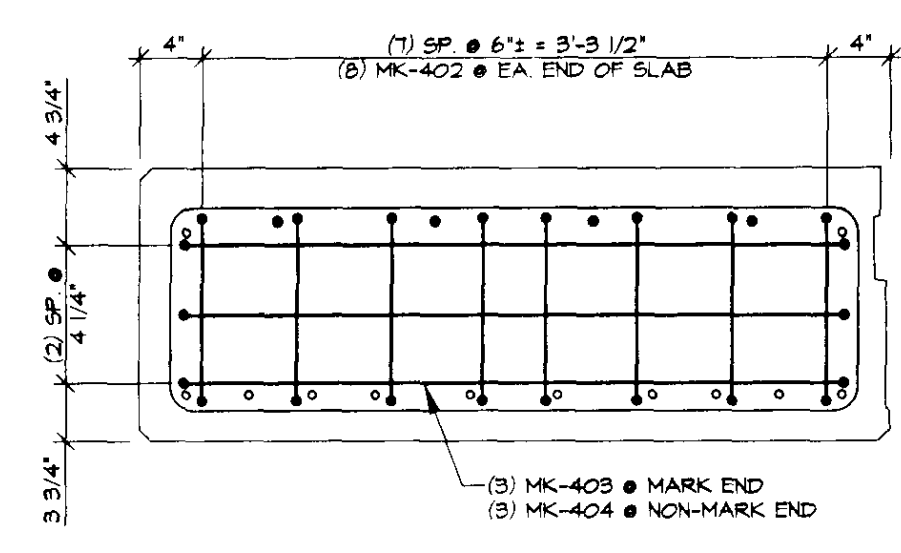
N.T.S.



A DIMENSIONAL SECTION
1" = 1'-0"



B REINFORCING SECTION
1" = 1'-0"



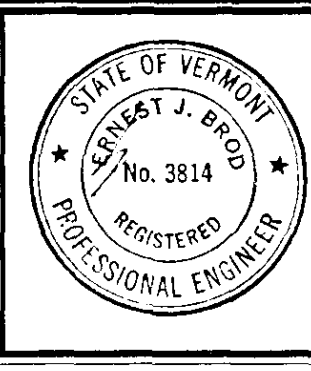
C END BLOCK REINF.
1" = 1'-0"

MARK:	P32-1	QTY.:	1	WT./TONS:	10.28	CU. YDS.:	5.08
MARK:	P32-4	QTY.:	1	WT./TONS:	10.63	CU. YDS.:	5.25

MATERIAL LIST / SLAB				
ITEM	MARK	DESCRIPTION	QTY./SLAB	
			P32-1	P32-4
1	401	#4 BENT BAR	31	31
2	402	#4 BENT BAR	16	16
3	403	#4 BENT BAR	3	3
4	404	#4 BENT BAR	3	3
5				
6		#5 x 24'-6"	4	
7		#5 x 25'-2"		4
8				
9				
10				
11				
12		DOUBLE 1/2" STRAND LIFTING LOOP	4	4
13		FRESET GALV. ANCHOR	8	8
14		1" x 5" A325 THREADED ROD (HOT DIPPED GALV.)	16	16
15		1/4" x 2" x 5" WASHER W (1) 1/4" HOLE (GALV.)	16	16
16		STANDARD WASHER	16	16
17		1" NUTS (GALV.)	32	32
18		8NC THREADED CLOSED FERRULE x 1 7/8" LONG (1 1/4" THREAD LENGTH)	16	16
19				

NO.	DATE	REVISION

DRAWN: B.M. LOPEZ
DESIGNED: E.J. BROD
CHECKED: _____
APPROVED: _____



J.P. CARRARA & SONS INC.
Precast & Prestress Manufacturer
2484 CASE STR., MIDDLEBURY, VERMONT 05753
Phone: (802) 388-6361 Fax: (802) 388-9010

Double-Tees Hollow-Core Plank Flat Panels

TOWN OF PLYMOUTH, VERMONT
HC 70, BOX 39A
PLYMOUTH, VERMONT 05056

Project Name:
**PLYMOUTH BRIDGE #32
TH32 OVER BROAD BROOK
PLYMOUTH, VERMONT**

P/S SOLID SLAB DETAILS

SCALE: NOTED
JOB #: 23106-00
DATE: 8-21-00
SHEET #: S1