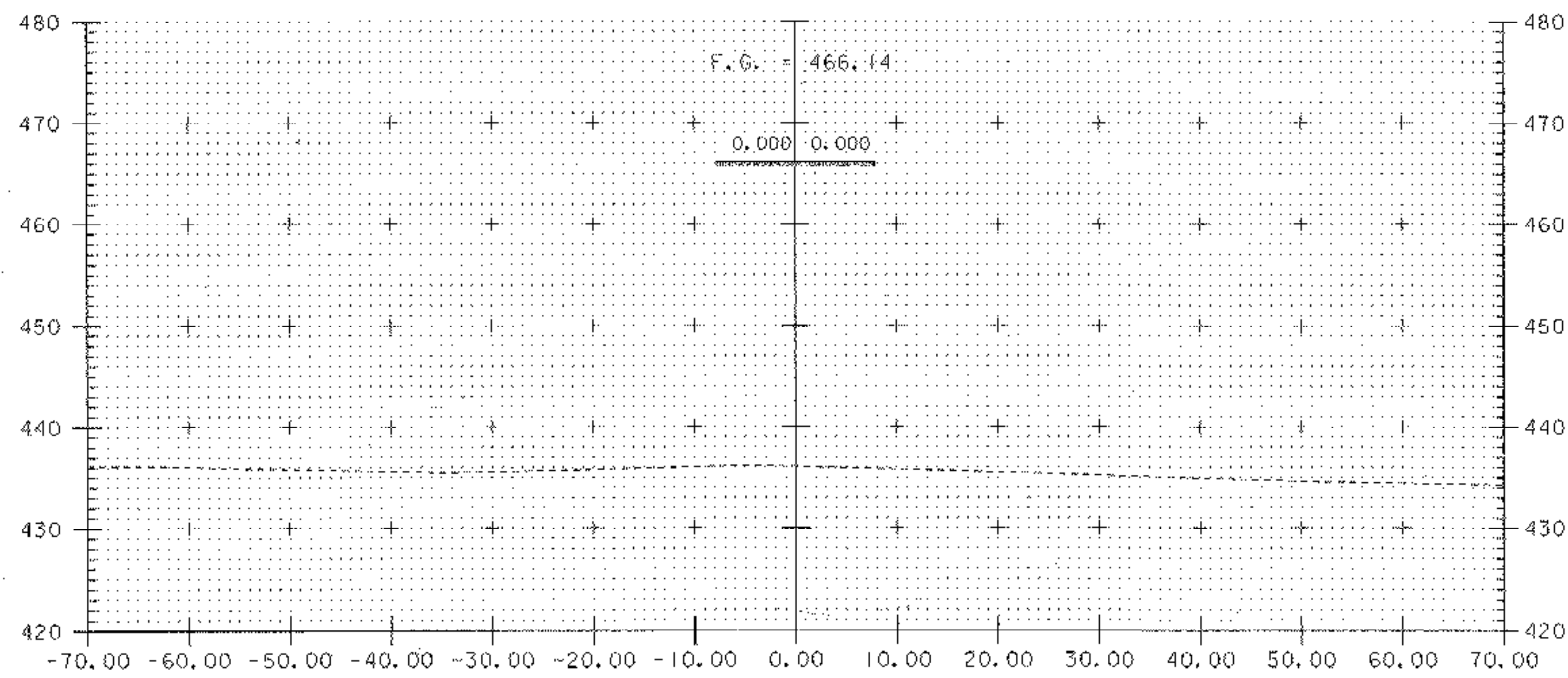
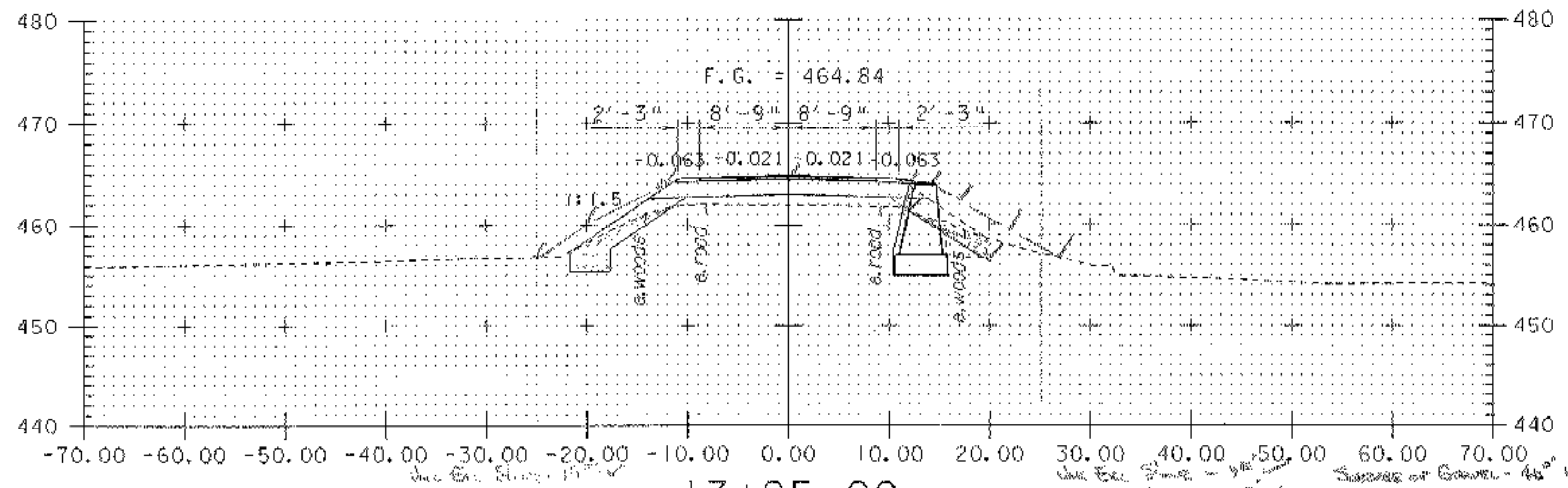


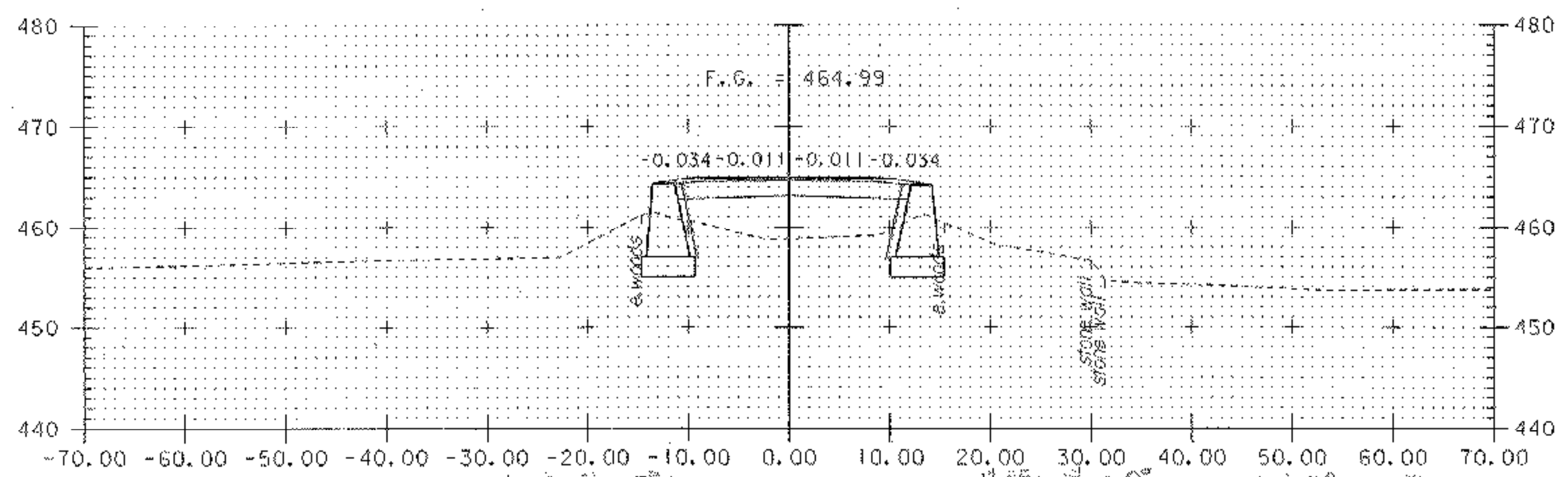
13+14.31  
ASKEW 88°-50'-56"  
END BRIDGE



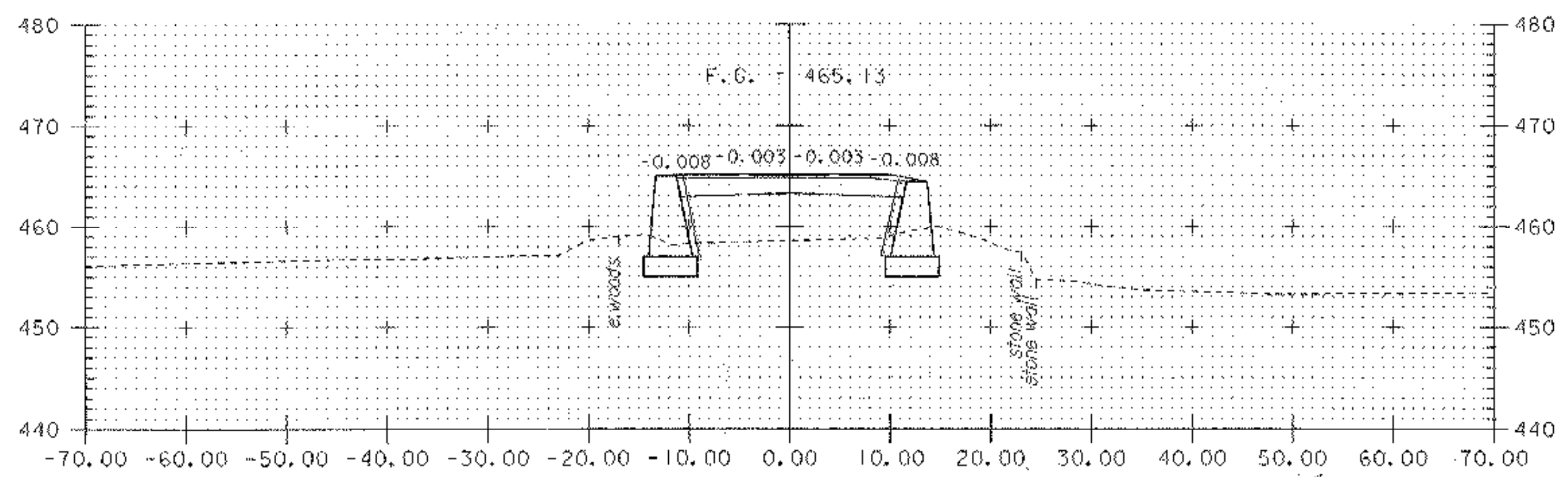
12+25.00



13+25.00  
STA. 13+23.11 LT - END WINGWALL 3, BEGIN STONE FILL TYPE II W/6" GRUBBING MATERIAL AND EROSION MATTING  
STA. 13+25.00 RT - END WINGWALL 4, BEGIN STONE FILL TYPE II W/6" GRUBBING MATERIAL AND EROSION MATTING



13+20.00  
STA. 13+19.0 LT - BEGIN GUARDRAIL STA. 13+20.1 RT - BEGIN GUARDRAIL



13+15.00

**MAINLINE CROSS SECTIONS SHEET 3**

PROJECT NAME:	CAMBRIDGE	PLOT DATE:	07-AUG-2002
PROJECT NUMBER:	BHO 1448(31) C/2	DRAWN BY:	R. PELLETY
FILE NAME:	/00j244/str/sj244xsl.dgn	DESIGNED BY:	M. FOWLER
DESIGNED BY:	M. FOWLER	CHECKED BY:	M. GACULIC
sj244m03.1		SHEET 44	OF 62

