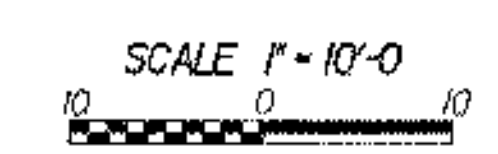
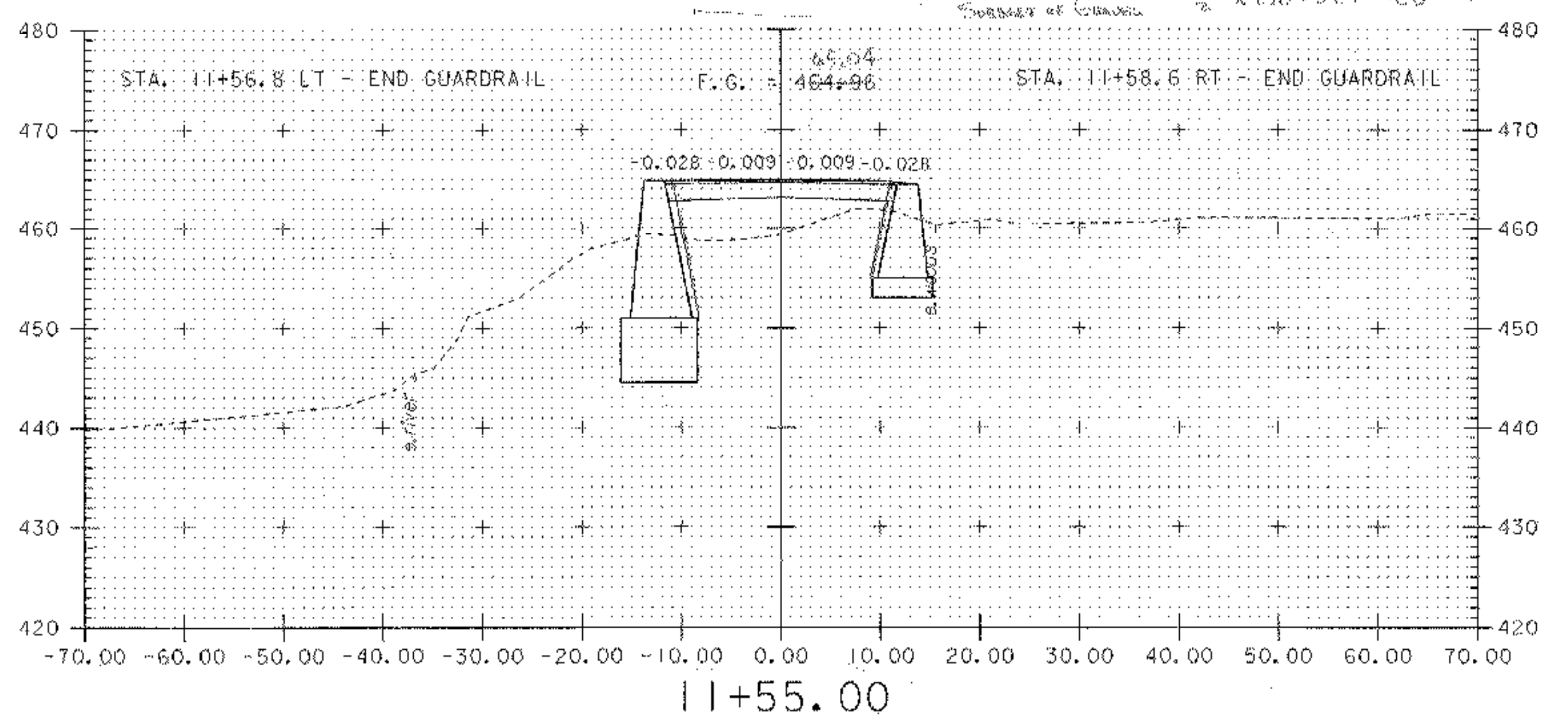
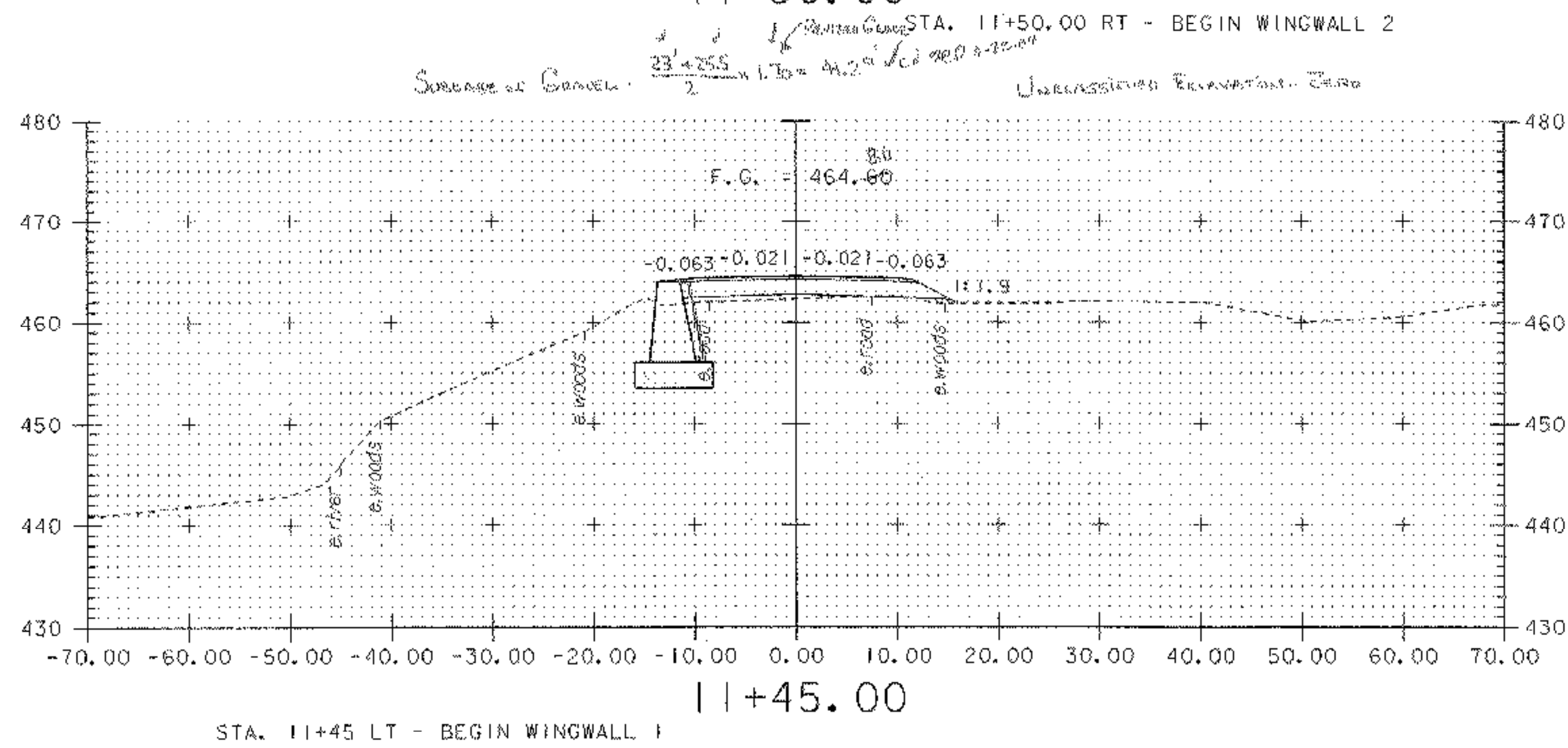
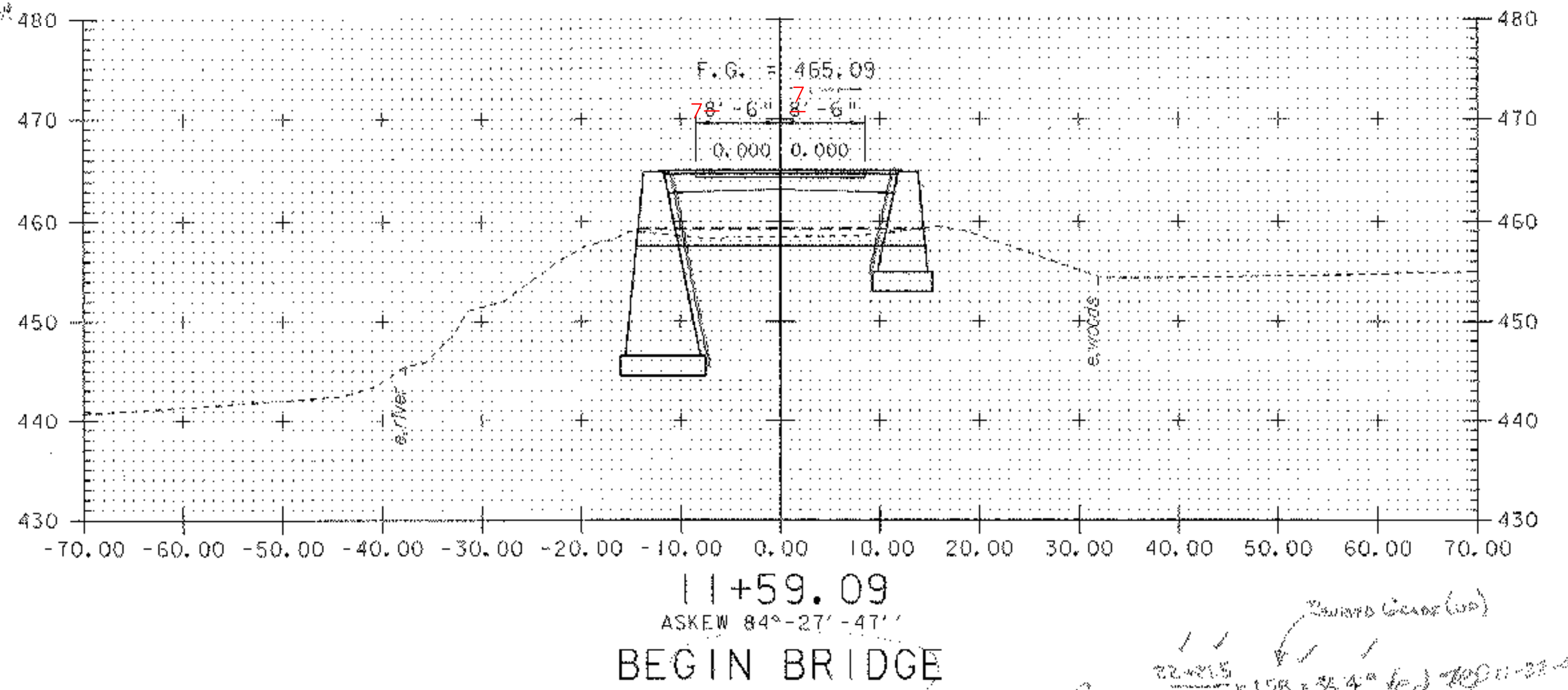
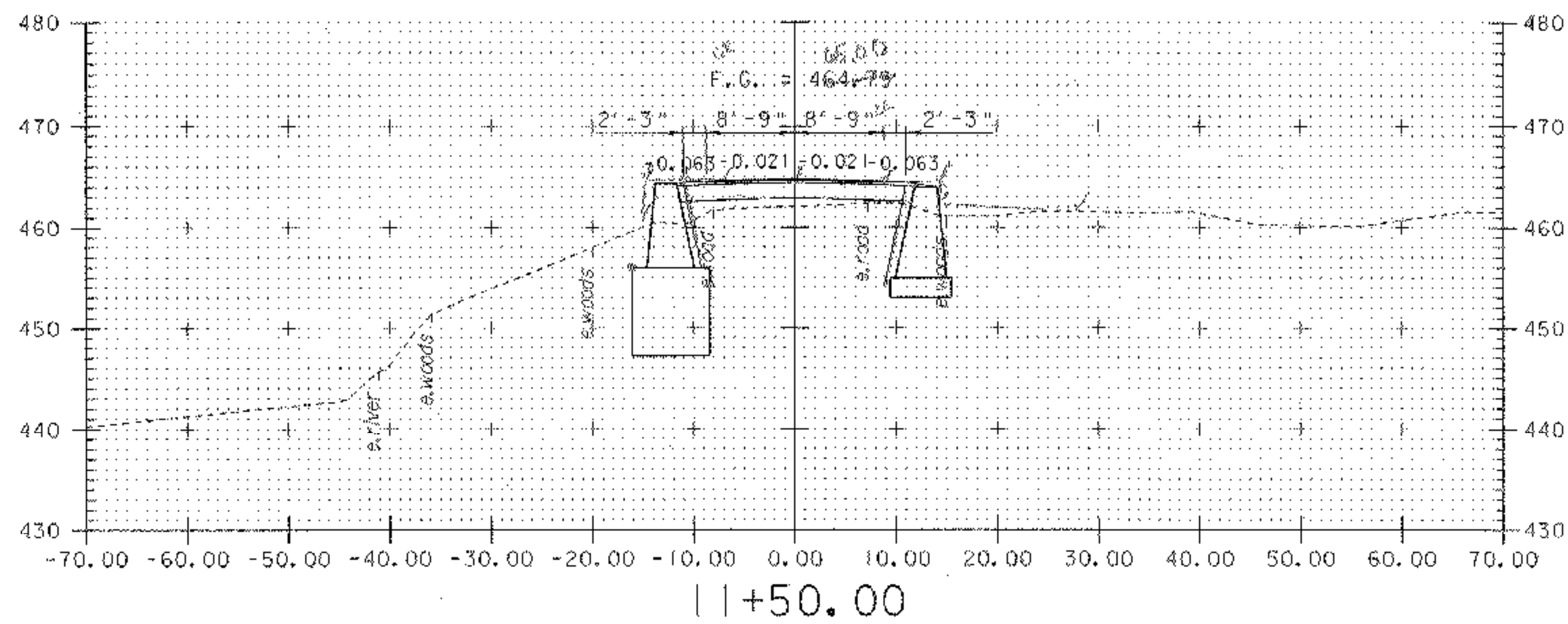


SURFACE OF GRAVEL $\frac{22' \times 21.5}{2} \times 1.7 = 311'$ *Revised*
 22' x 21.5' *Revised*

SURFACE OF GRAVEL $\frac{22' \times 21.5}{2} \times 1.5 = 326'$ *Revised*



MAINLINE CROSS SECTIONS SHEET 2	
PROJECT NAME:	CAMBRIDGE
PROJECT NUMBER:	BHO 1448(31) C/2
FILE NAME:	/00j244/str/sj244xsl.dgn
PROJECT LEADER:	D. HOYNE
DESIGNED BY:	M. FOWLER
sj244m02.i	
PLOT DATE:	07-AUG-2002
DRAWN BY:	R. PELLETT
CHECKED BY:	M. GAGULIC
	SHEET 43 OF 62