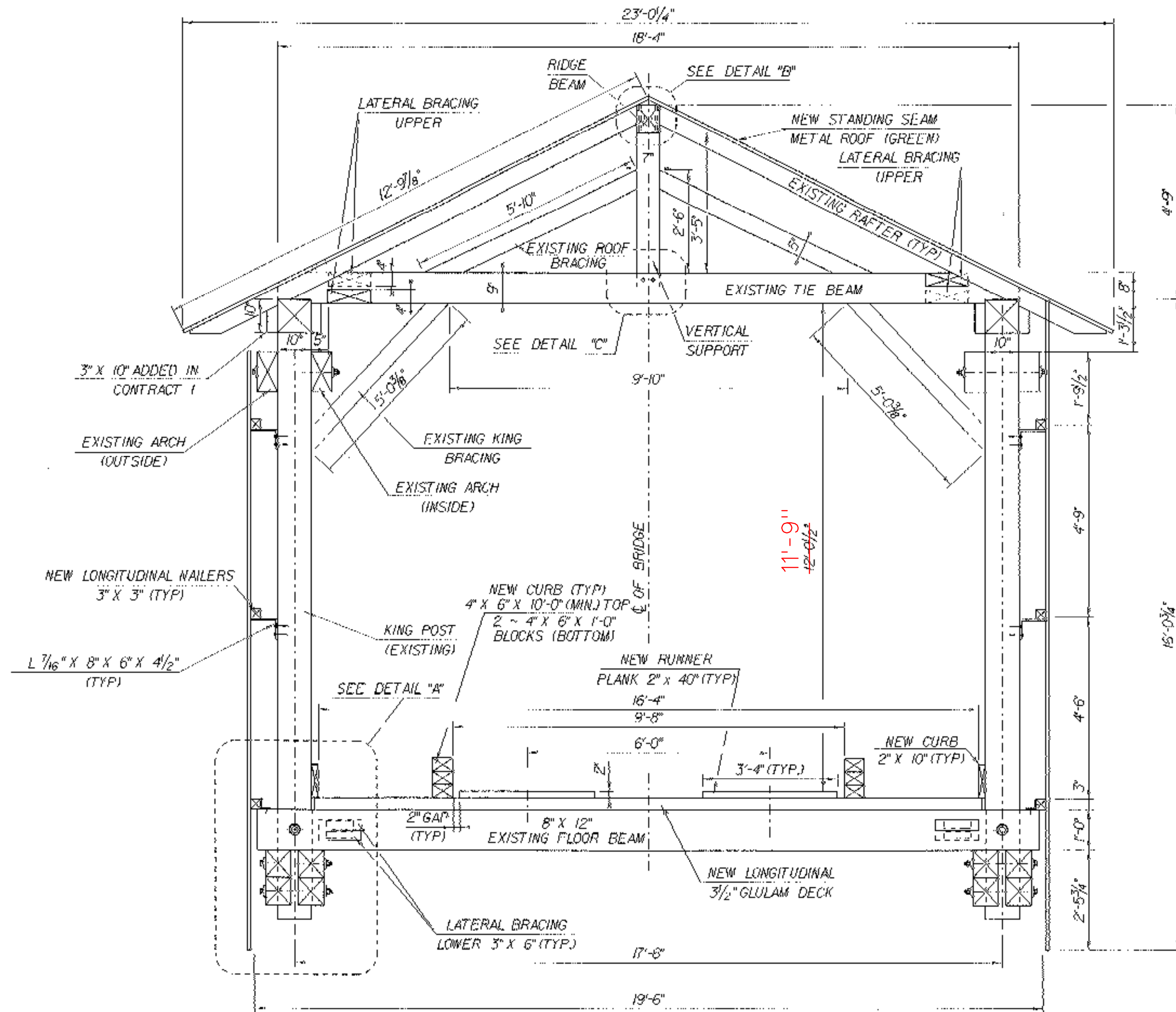
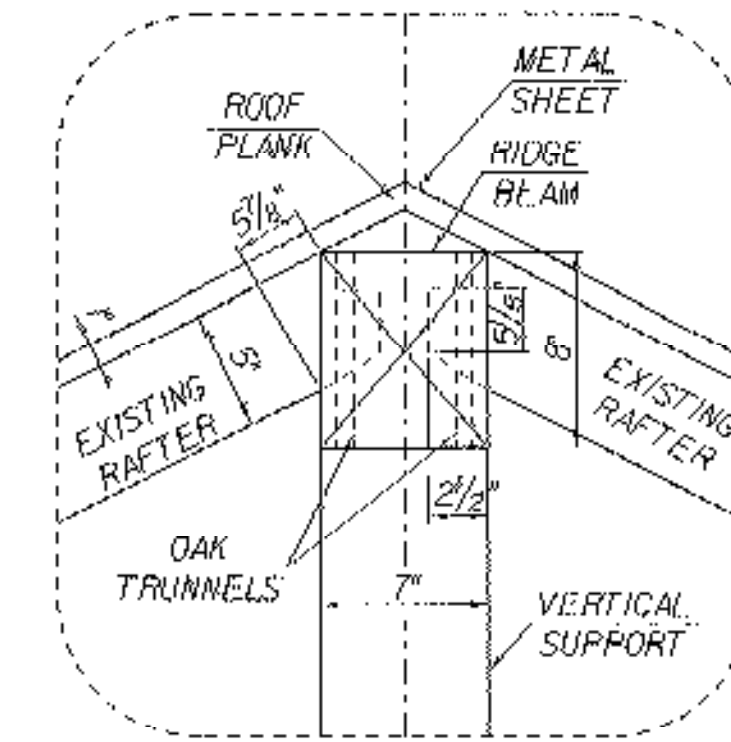


**DETAIL "A"**  
SCALE 1/2" = 1'-0"  
1 9 6 3 0

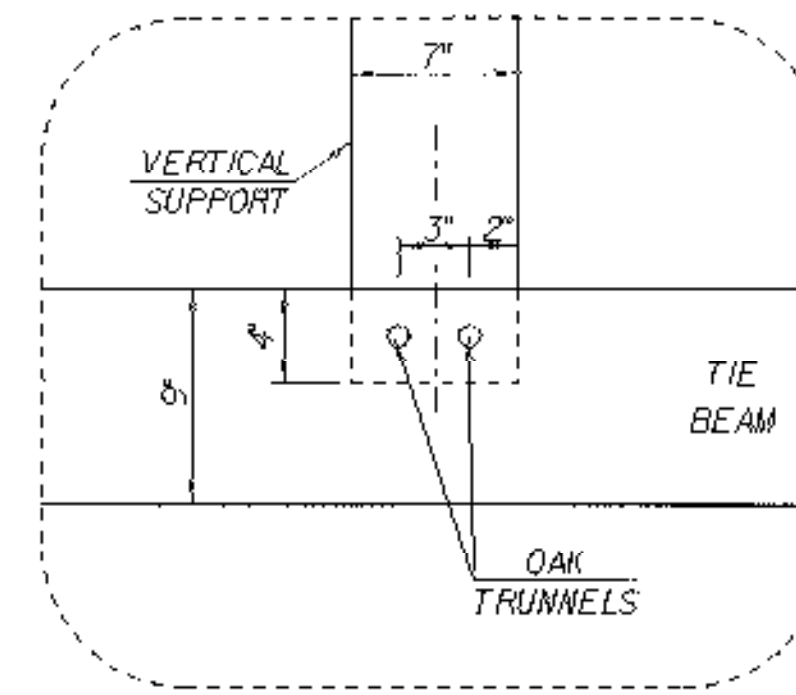


**TYPICAL CROSS SECTION  
@ MIDSPAN OF BRIDGE**

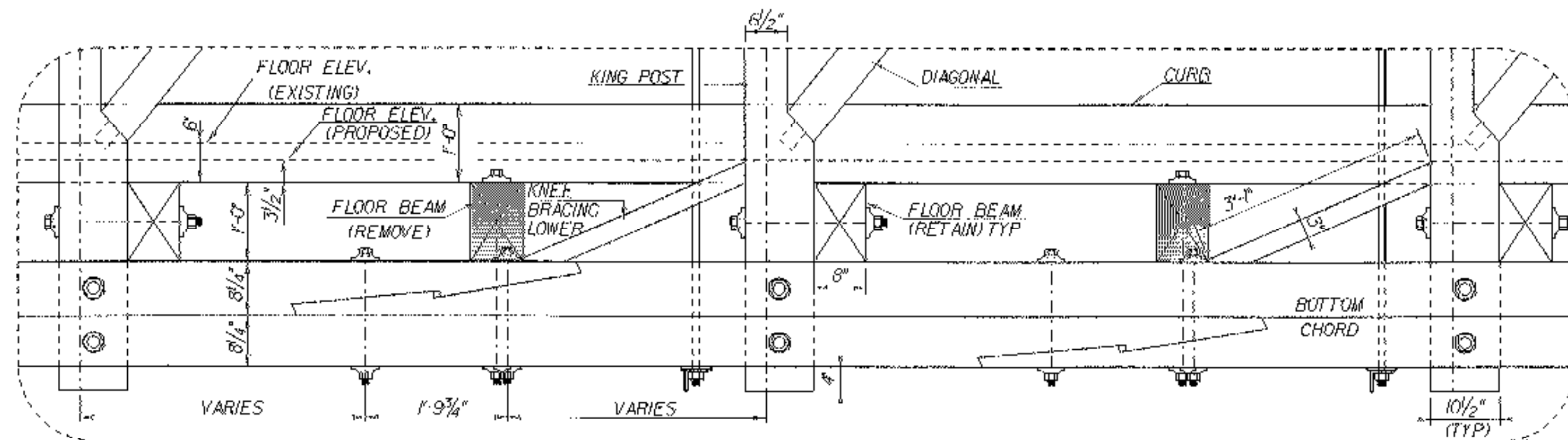
SCALE 1/2" = 1'-0"  
1 0 1 2



**DETAIL "B"**  
SCALE 1/2" = 1'-0"  
1 9 6 3 0



**DETAIL "C"**  
SCALE 1/2" = 1'-0"  
1 9 6 3 0



**BOTTOM CHORD DETAIL**

SCALE 3/8" = 1'-0"  
1 0 1 2

NOTE:

STEEL CHANNELS & RODS ADDED  
IN CONTRACT 1 ARE NOT SHOWN  
FOR CLARITY.

**END SECTION SHEET**

PROJECT NAME: CAMBRIDGE	PLOT DATE: 22-OCT-2002
PROJECT NUMBER: BHO 1448(3) C/2	DRAWN BY: R. PELLET
FILE NAME: /00J244/srr/sj244bdg.dgn	CHECKED BY: M. FOWLER
PROJECT LEADER: DAVID HOYNE	SHEET 18 OF 62
DESIGNED BY: M. GAGULIC	
sj244sec.1	