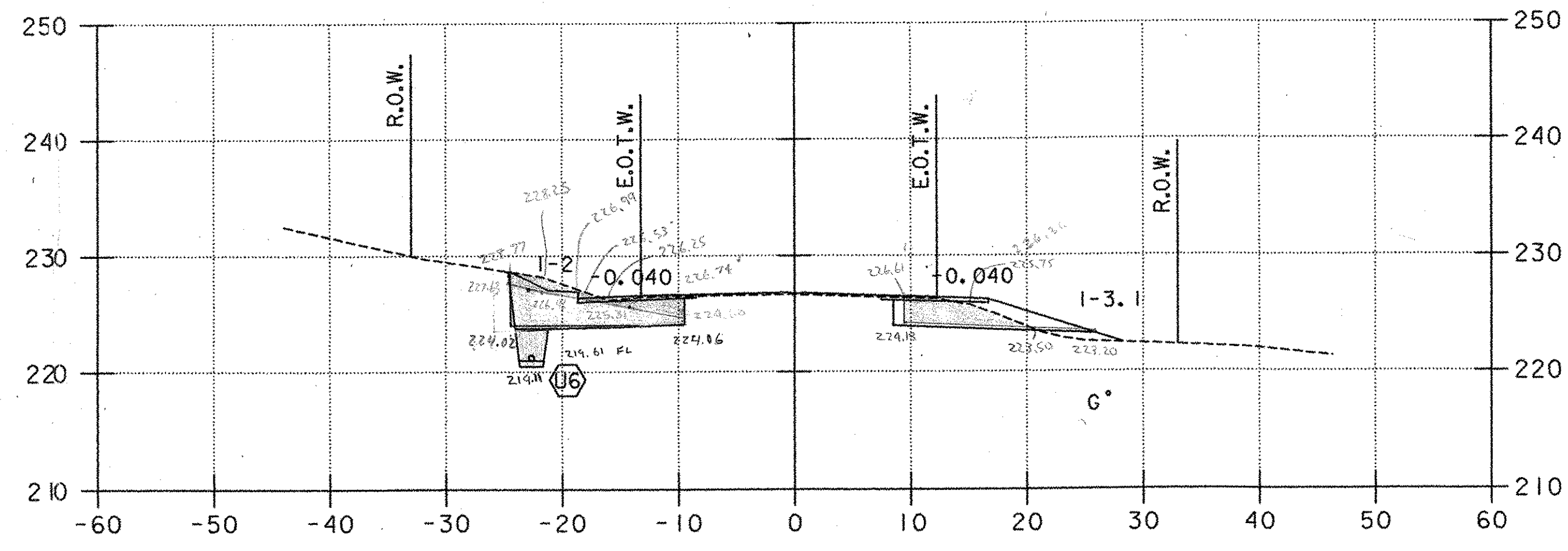
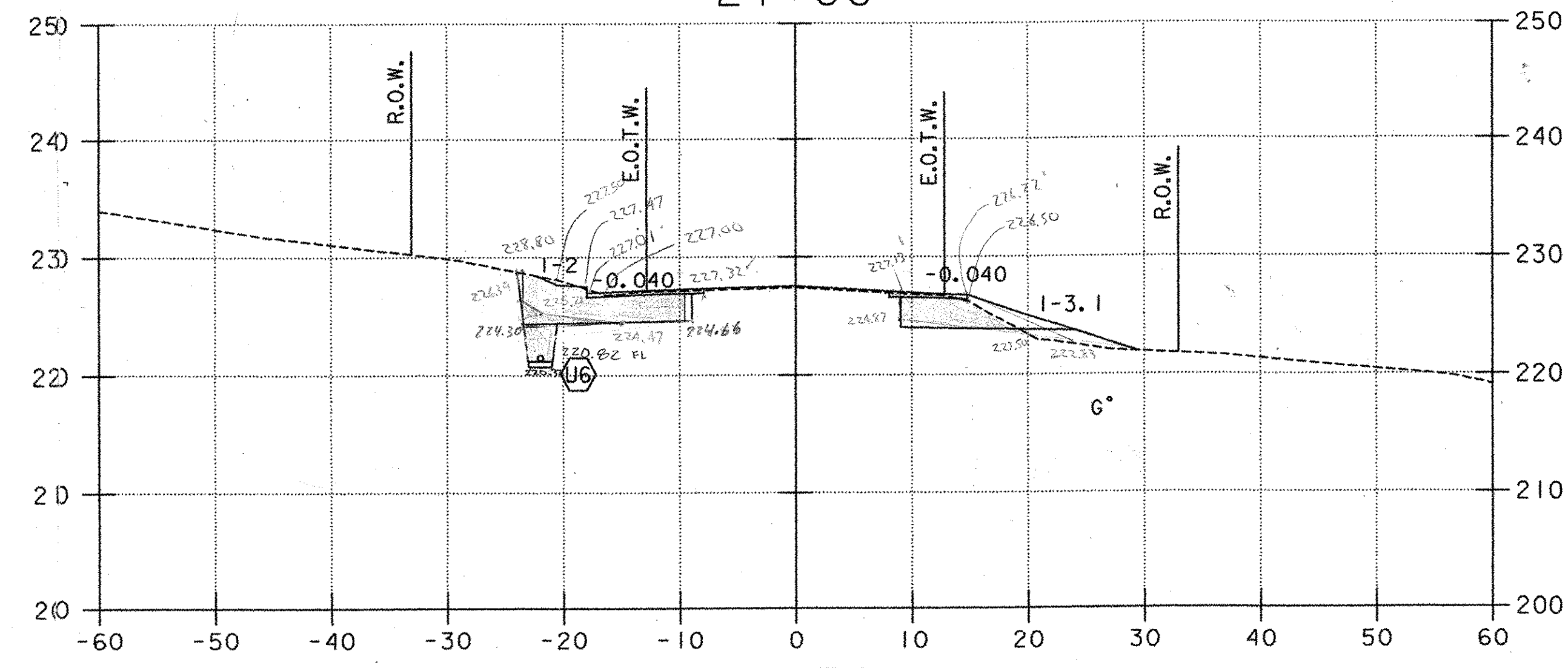


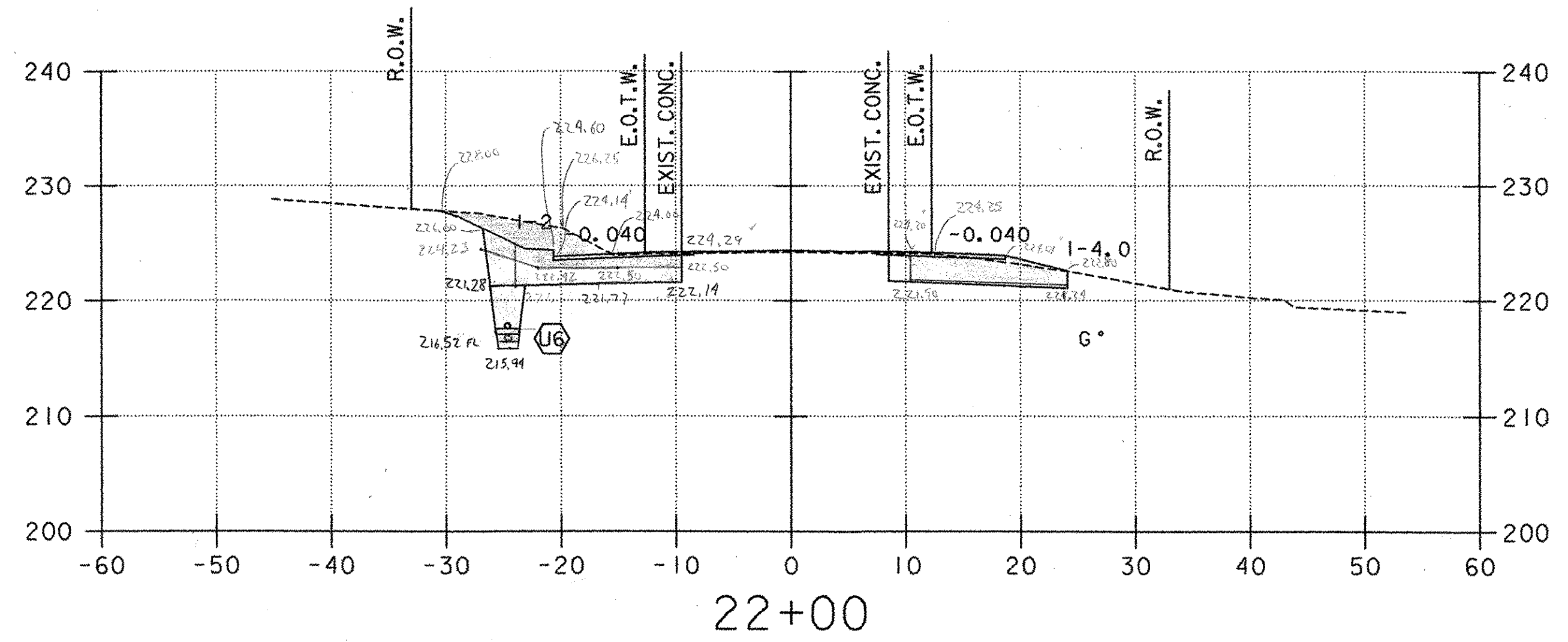
**U.S. ROUTE 7
STA. 20+67
END APPROACH
BEGIN PROJECT CMG PARK(18)S**



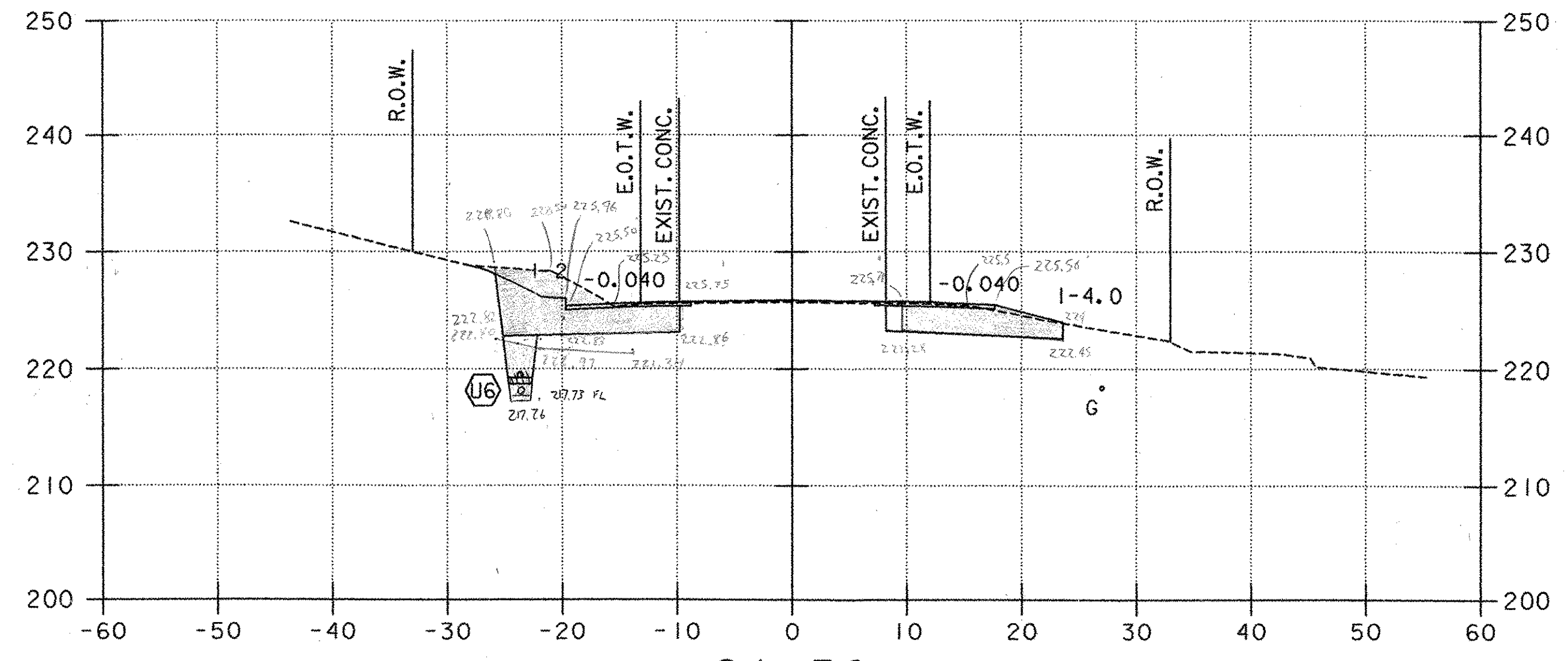
21+00



20+50

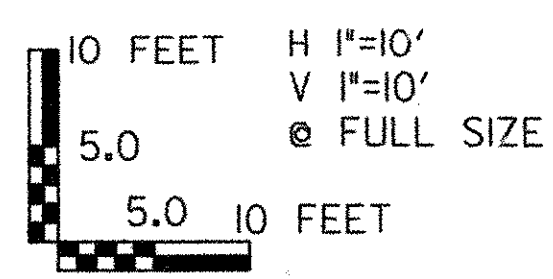


22+00



21+50

- LEGEND**
- PROPOSED UNDERDRAIN (SEE DRAINAGE PLAN, SHEET 20)
 - PROPOSED STORMWATER PIPE (SEE DRAINAGE PLAN, SHEET 20)
 - PROPOSED CONDUIT FOR LIGHTING (SEE LIGHTING PLAN, SHEET 31)
 - UT EXISTING UNDERGROUND TELEPHONE
 - W EXISTING WATER
 - UD EXISTING UNDERDRAIN
 - G EXISTING GAS



PROJECT NAME: COLCHESTER PARK-AND-RIDE
 PROJECT NUMBER: CMG PARK(18)S
 FILE NAME: zk062xsl.dgn
 PROJECT LEADER: CSP
 DESIGNED BY: DH
 U.S. ROUTE 7 - CROSS SECTION

PLOT DATE: 07/08/02
 DRAWN BY: MAM
 CHECKED BY: GAE
 SHEET 47 OF 56