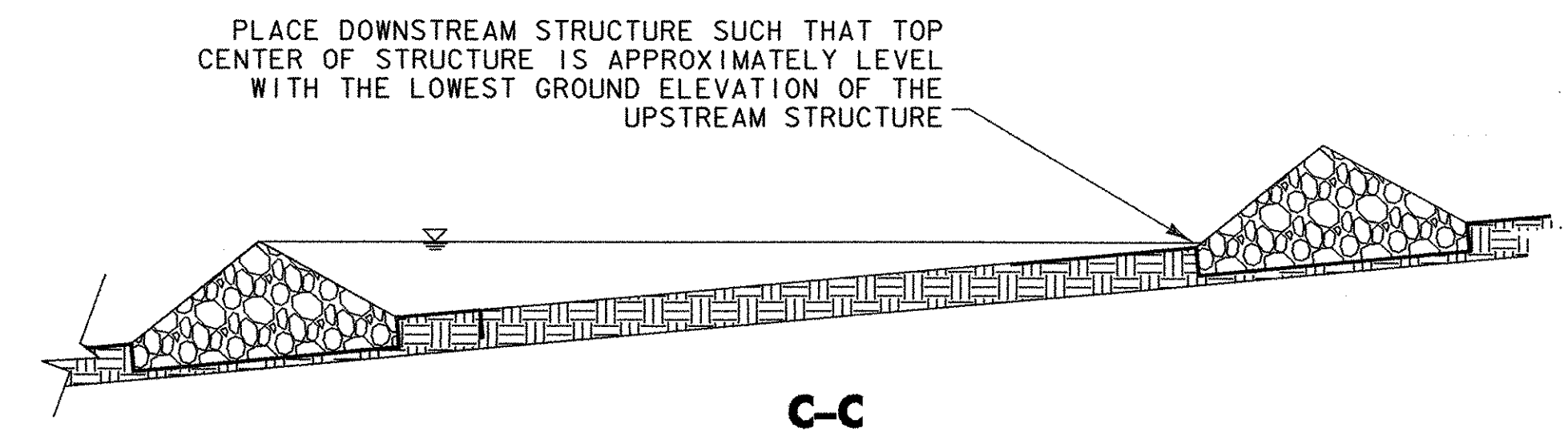
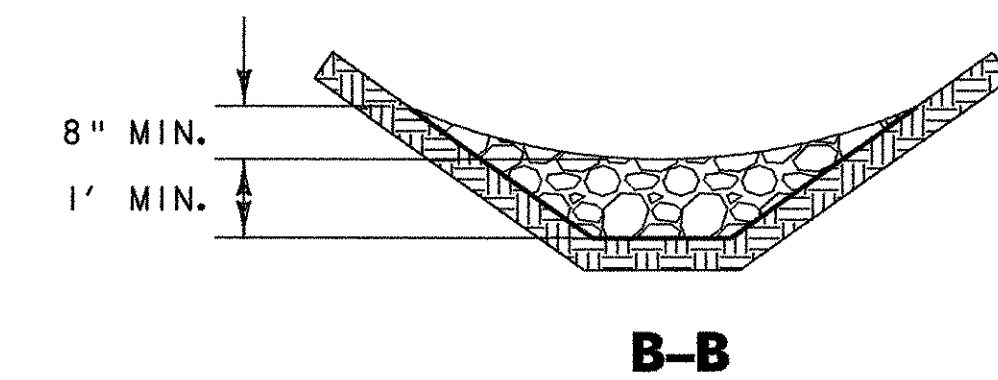
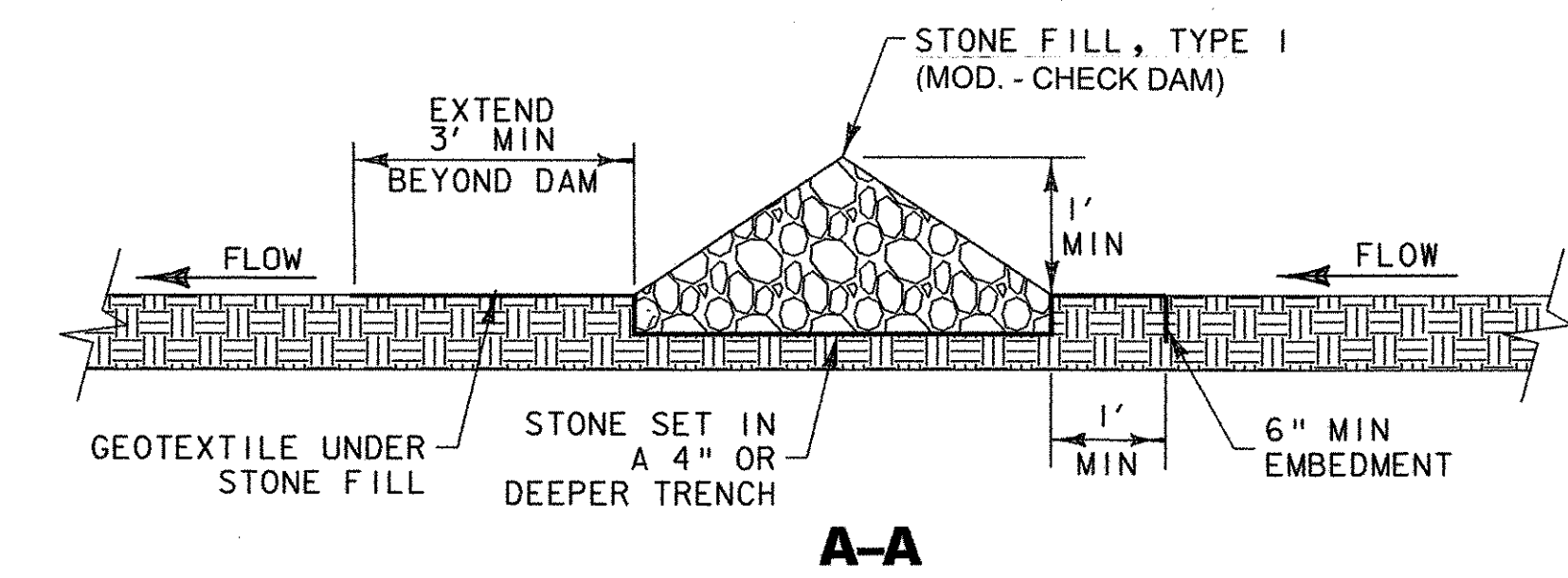
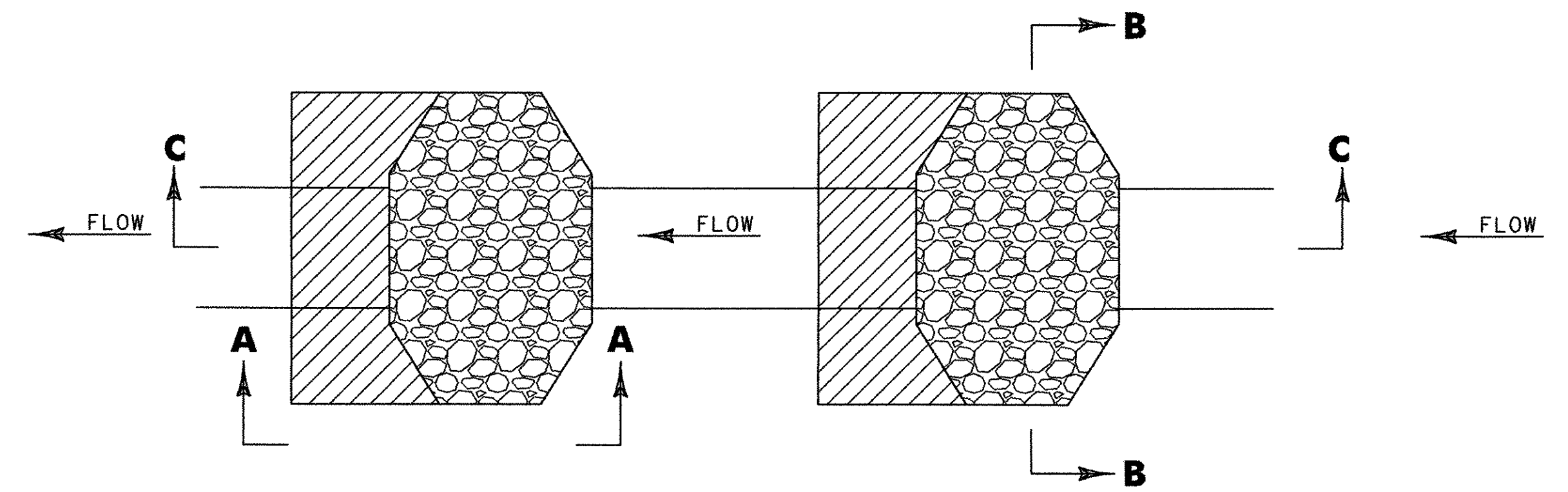
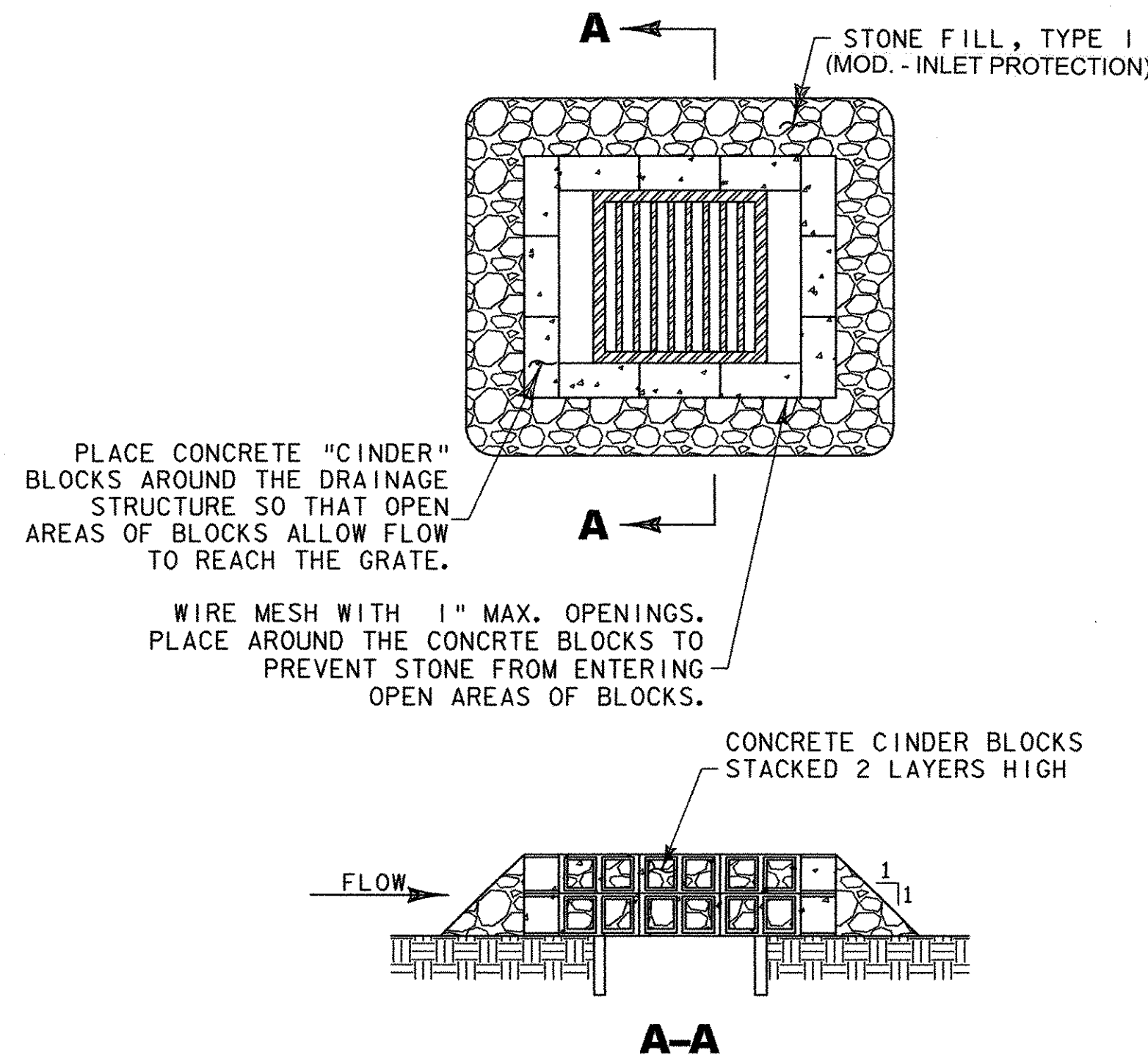


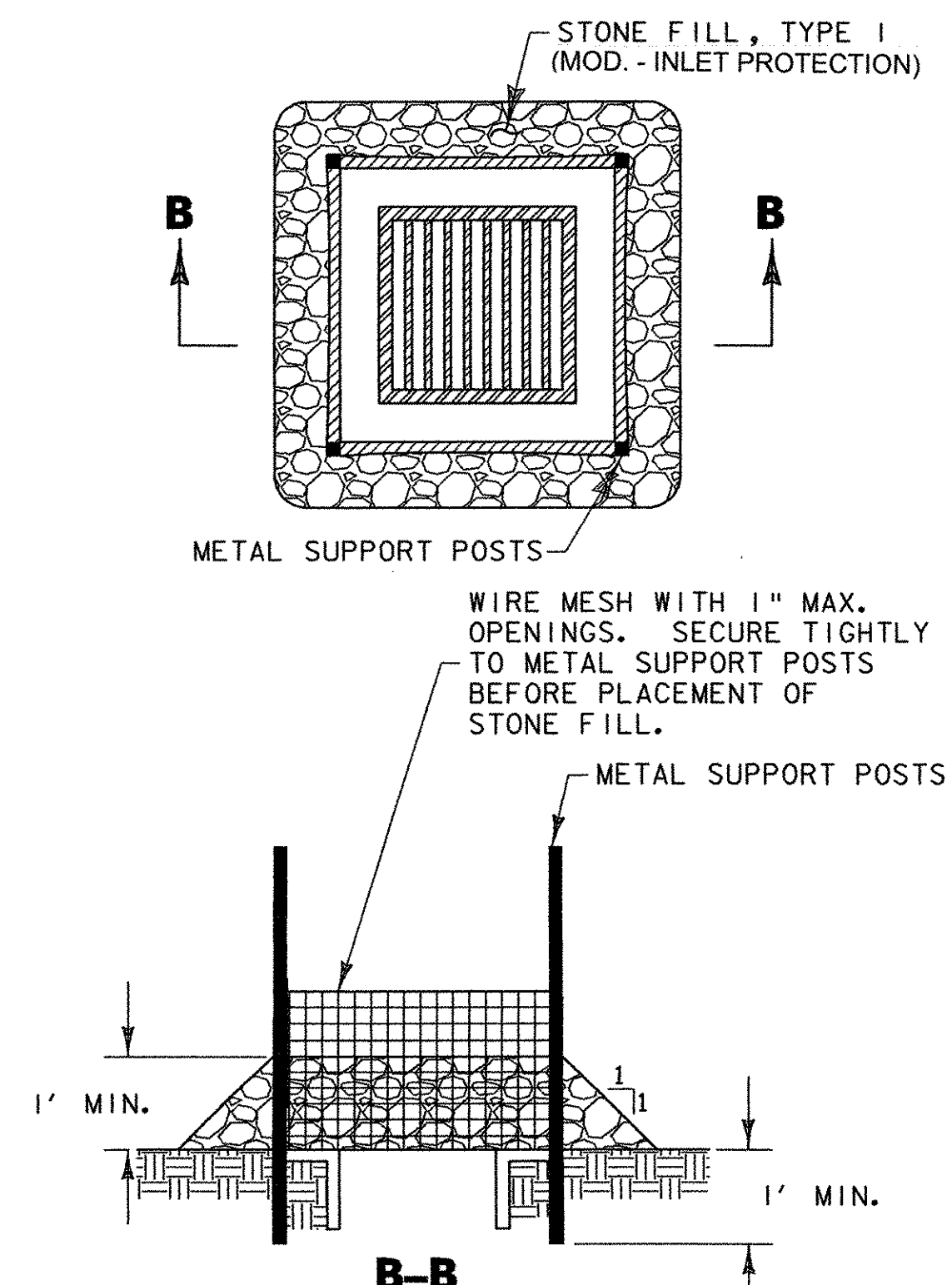
**ROCK BARRIER CULVERT INLET PROTECTION**  
NOT TO SCALE



**STONE CHECK DAMS**  
NOT TO SCALE



**ROCK BARRIER INLET PROTECTION - PAVED AREAS**  
NOT TO SCALE



**ROCK BARRIER INLET PROTECTION - UNPAVED AREAS**  
NOT TO SCALE

PROJECT NAME: FERRIBURGH/VERGS-FERRISBURGH  
 PROJECT NUMBER: CMG PARK (15)S/STP EH01(21)  
 FILE NAME: ...\\PlotFiles\62-65epsdeta\1s.plt PLOT DATE: 4/19/2006  
 PROJECT LEADER: WLD DRAWN BY: MBL/SRZ  
 DESIGNED BY: GGG CHECKED BY: GAS  
**EROSION CTRL DETAIL SHEET 1** SHEET 62 OF 65

