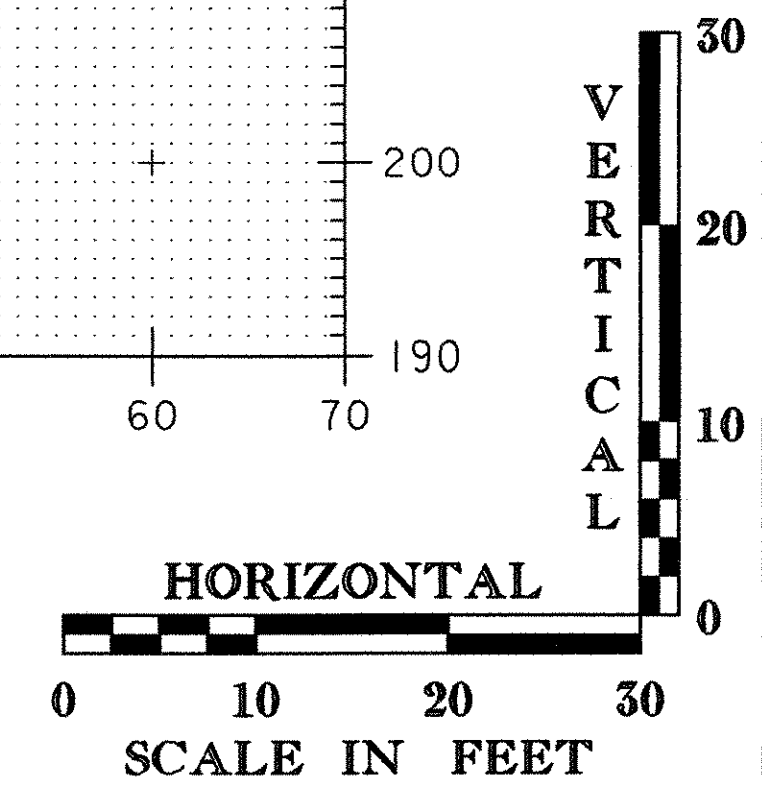
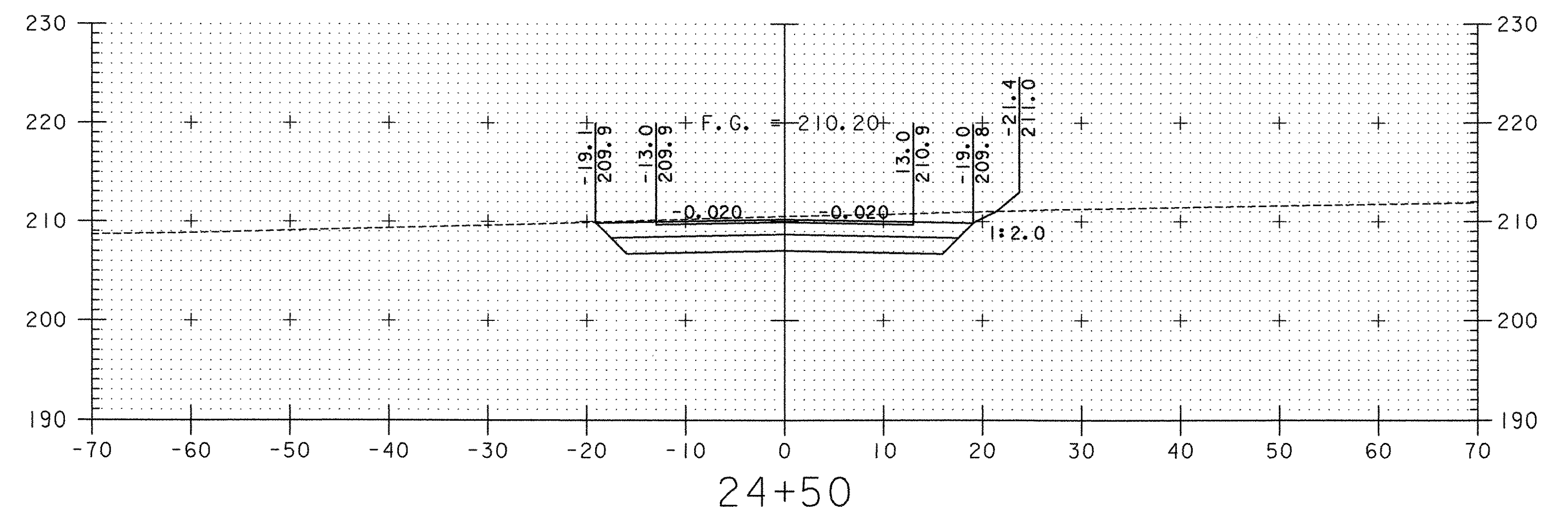
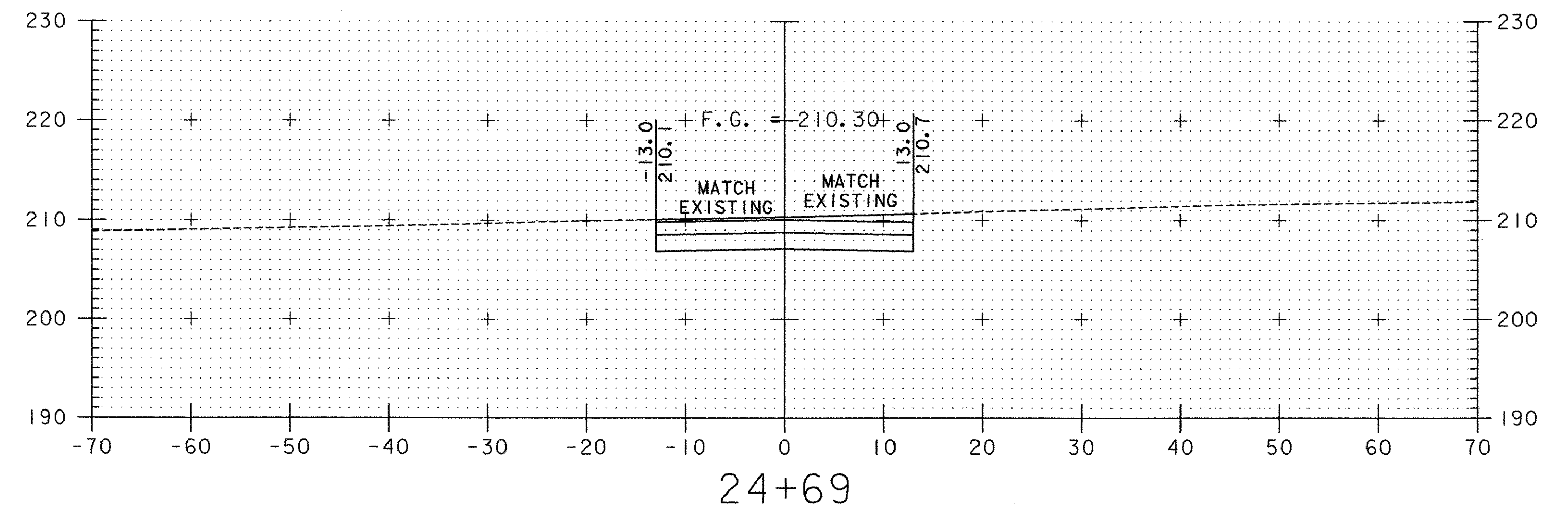
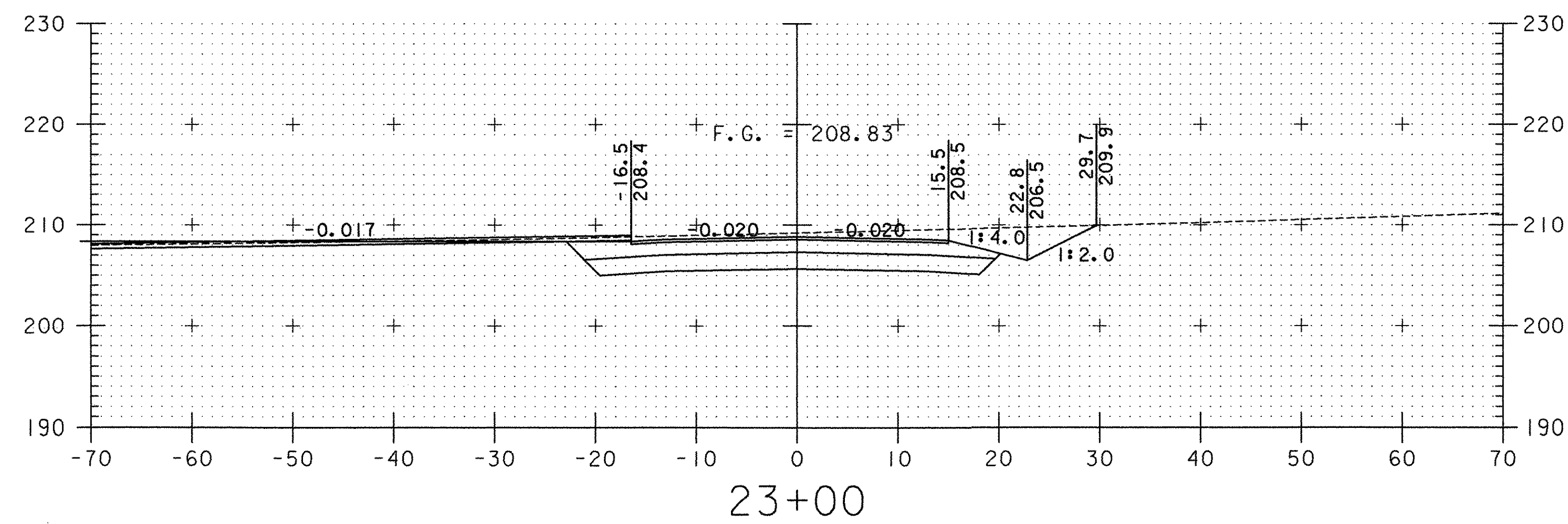


ACCESS ROAD STA. 23+42.05 =  
PARKING LOT STA. 0+00.00



PROJECT NAME: FERRISBURGH/VERGS-FERRISBURGH  
 PROJECT NUMBER: CMG PARK (15)S/STP EHO(21)  
 FILE NAME: ...\\PlotFiles\41-49xsections.pxf PLOT DATE: 4/19/2006  
 PROJECT LEADER: WLD DRAWN BY: MBL  
 DESIGNED BY: CSP/GGG CHECKED BY: GAS  
**ACCESS ROAD CROSS SECTIONS** SHEET 46 OF 65

