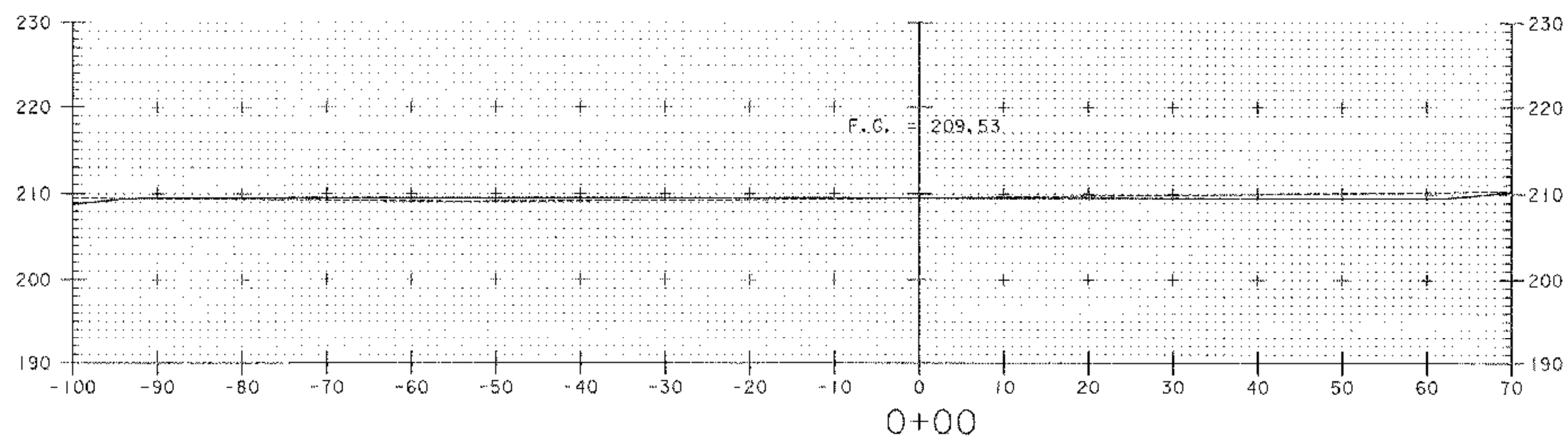
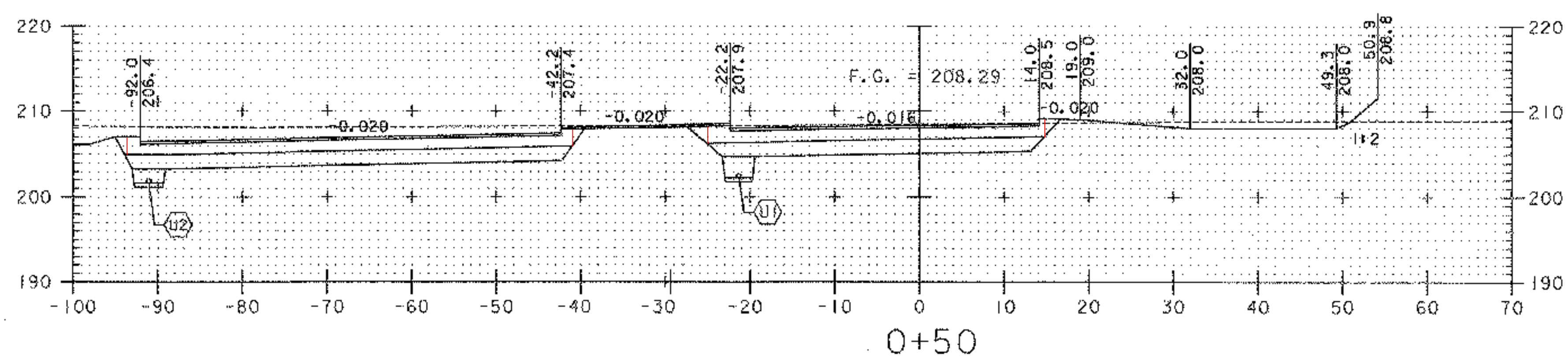
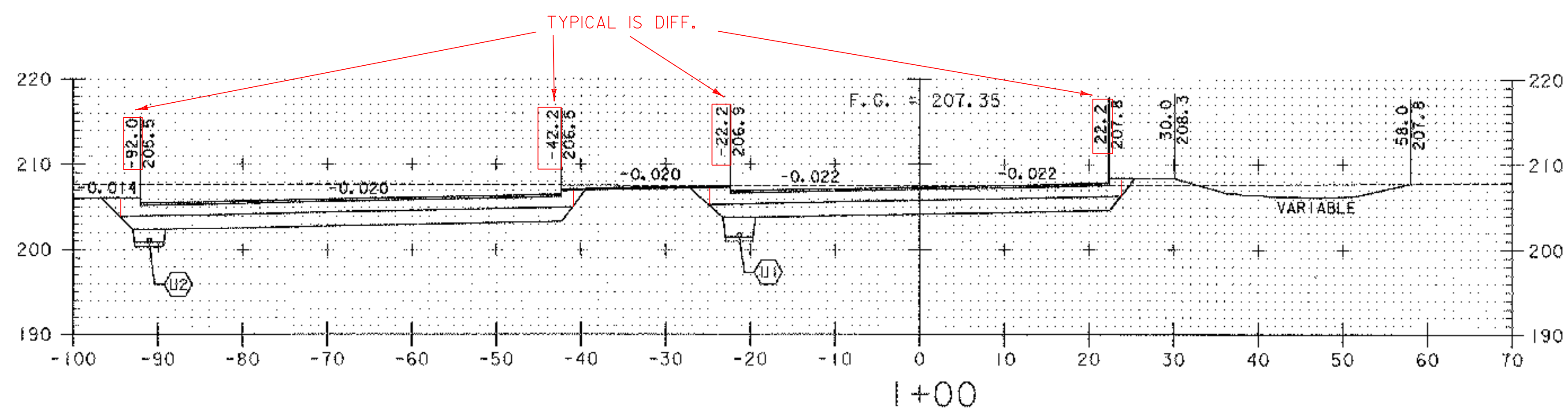
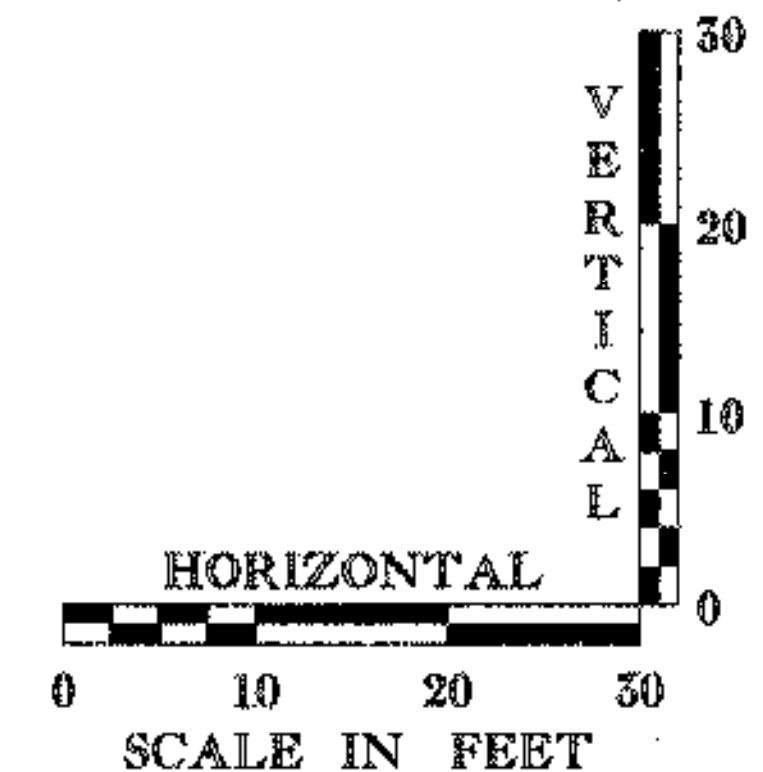


P.L.



PARKING LOT STA. 0+00.00 =  
ACCESS ROAD STA. 23+42.05



PROJECT NAME: FERRISBURGH/VERGS-FERRISBURGH  
PROJECT NUMBER: CMG PARK (15)S/STP EHO(21)  
FILE NAME: ...PlotFiles\41-49xsections.pxf PLOT DATE: 4/19/2006  
PROJECT LEADER: WLD DRAWN BY: MBL  
DESIGNED BY: CSP/GGG CHECKED BY: GAS  
PARKING LOT CROSS SECTIONS SHEET 41 OF 65

