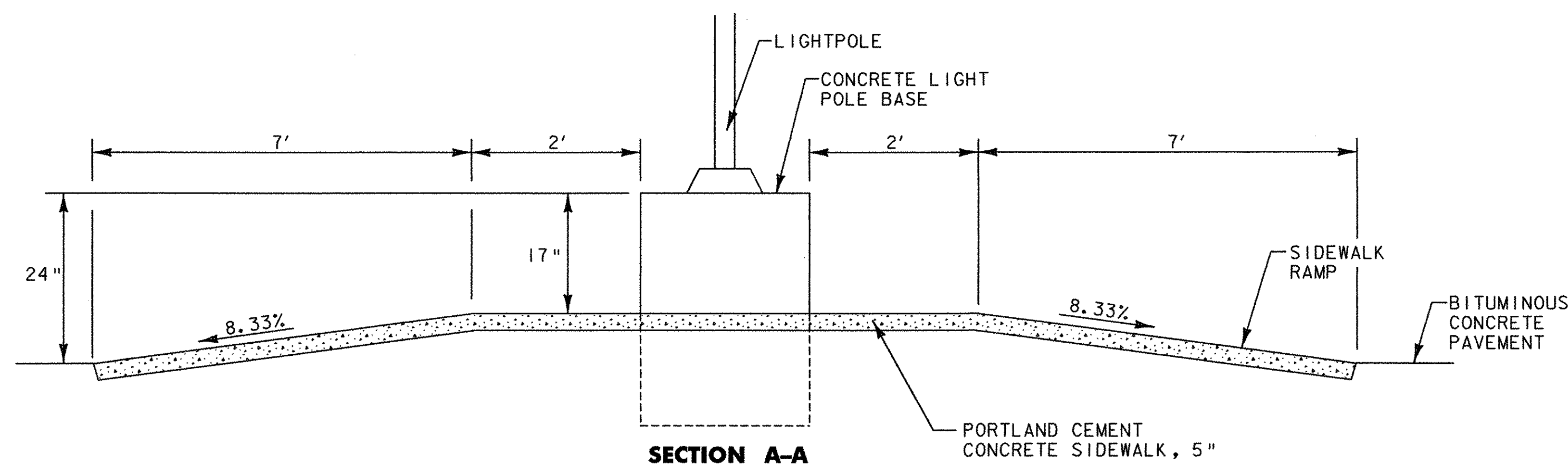


PLAN

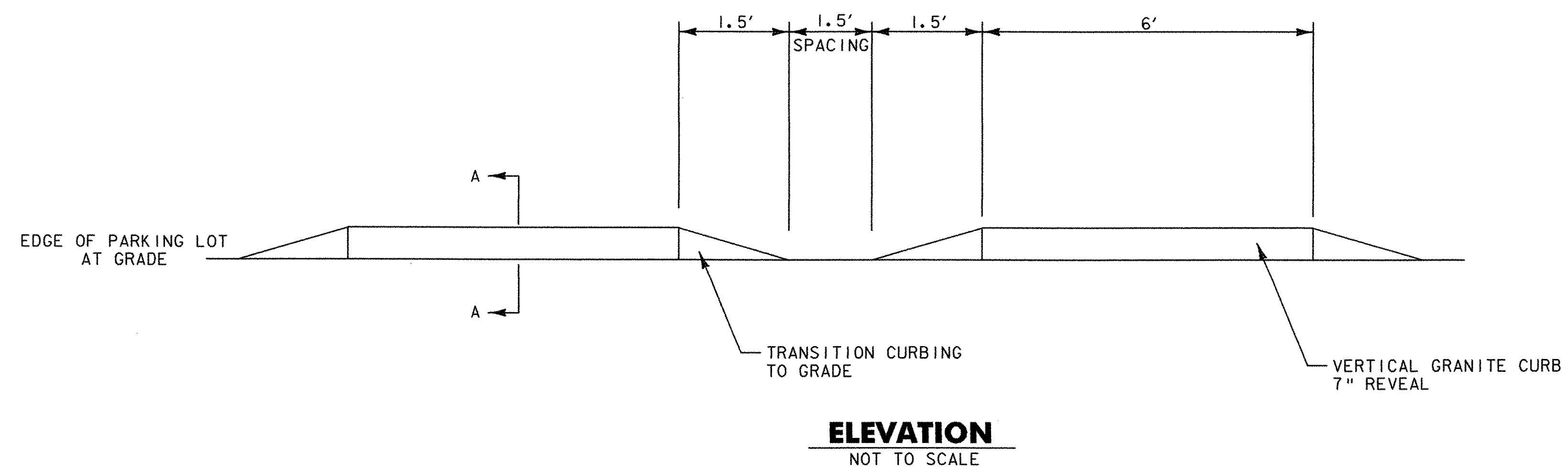


SECTION A-A

ALL SIDEWALK RAMPS SHALL BE CONSTRUCTED IN ACCORDANCE W/ VTrans STANDARD C-3A & C-3B, RAMPS THAT ORIGINATE AT A CROSSWALK SHALL HAVE A DETECTABLE WARNING SURFACE

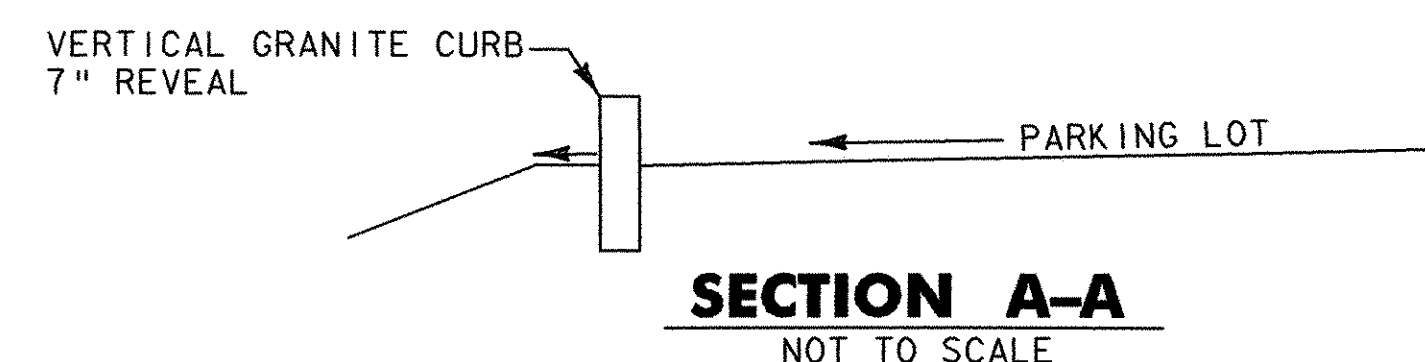
SIDEWALK DETAIL AT LIGHT POLES

NOT TO SCALE



ELEVATION

NOT TO SCALE



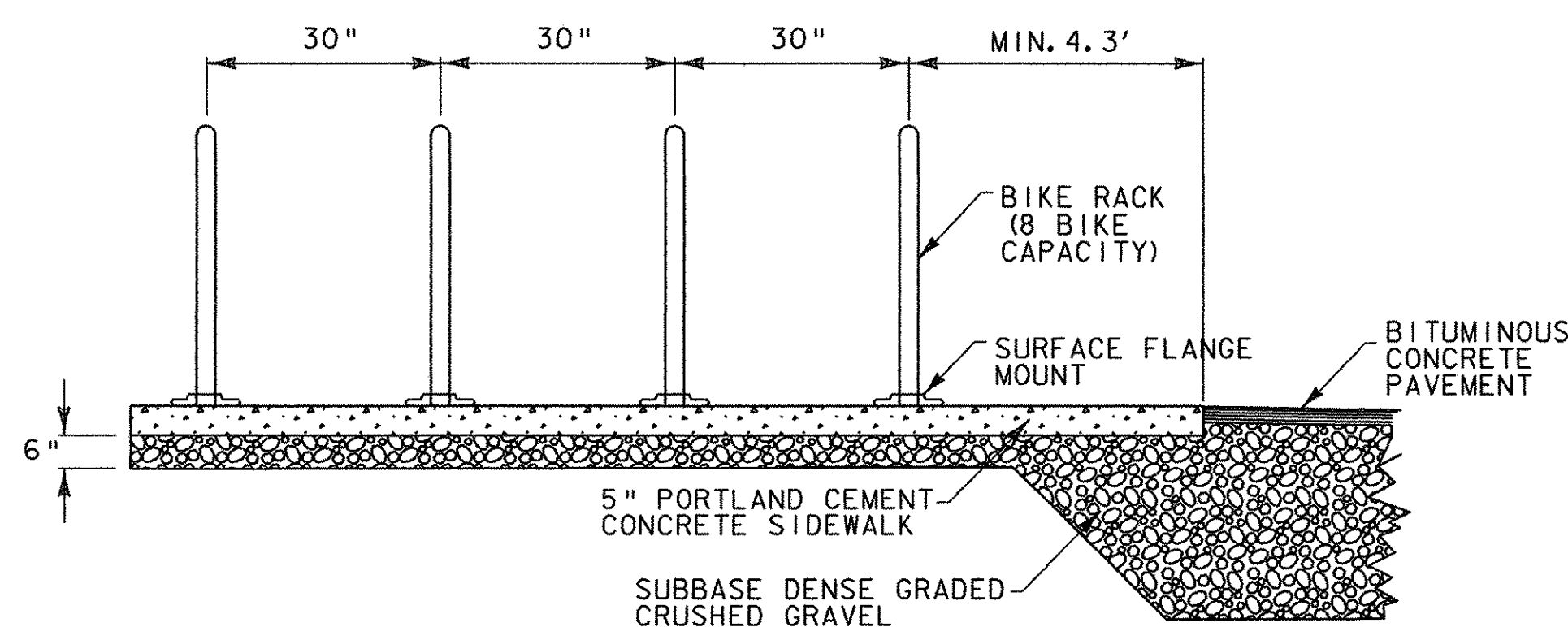
SECTION A-A

NOT TO SCALE

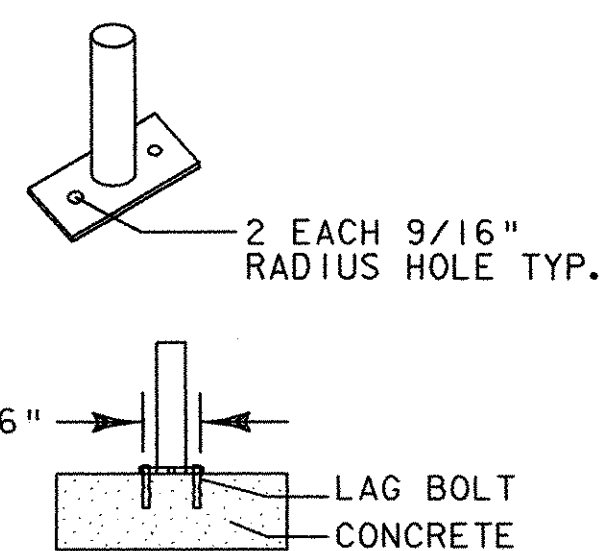
NOTE: VERTICAL GRANITE BUMPER GUARD, INCLUDING TRANSITION CURBING, PAID FOR AS ITEM 616.21: VERTICAL GRANITE CURB

VERTICAL GRANITE BUMPER GUARD

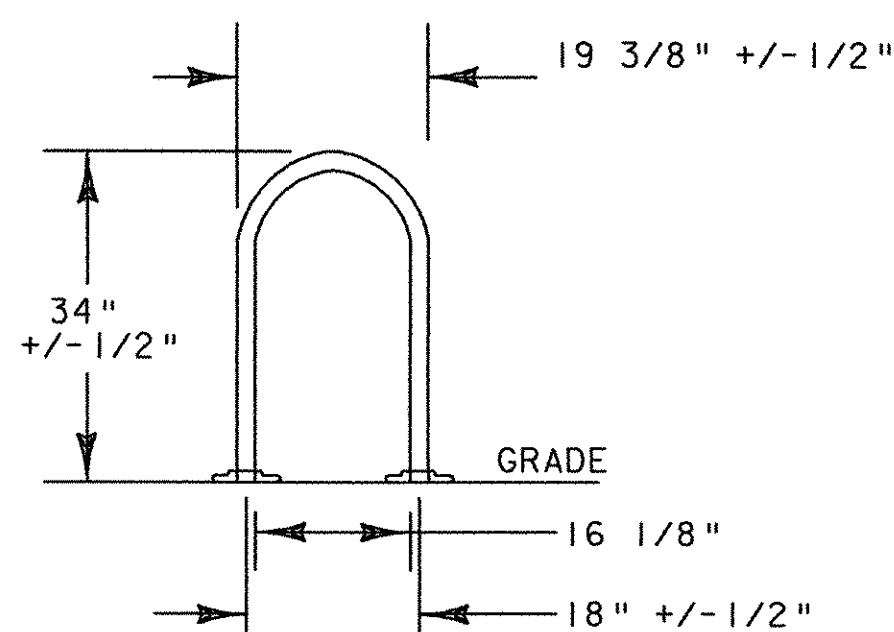
NOT TO SCALE



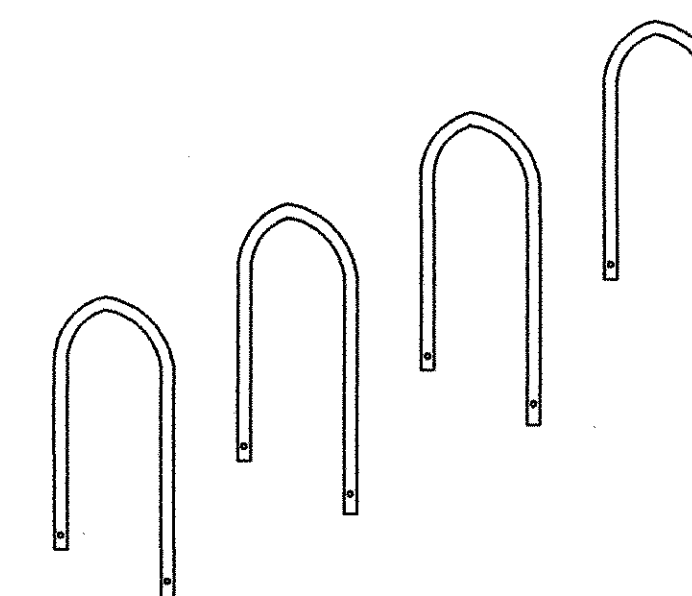
BIKE RACK DETAIL



SURFACE FLANGE MOUNT (SF)



ELEVATION VIEW



SIDE VIEW

BIKE RACK CONSTRUCTION NOTES:

1. INSTALL BIKE RACKS ACCORDING TO MANUFACTURER'S SPECIFICATIONS.
2. SEE SITE PLAN FOR LOCATION OR CONSULT OWNER.
3. BIKE RACK COLOR SHALL BE BLACK.

"U" BIKE RACK DETAIL

NOT TO SCALE