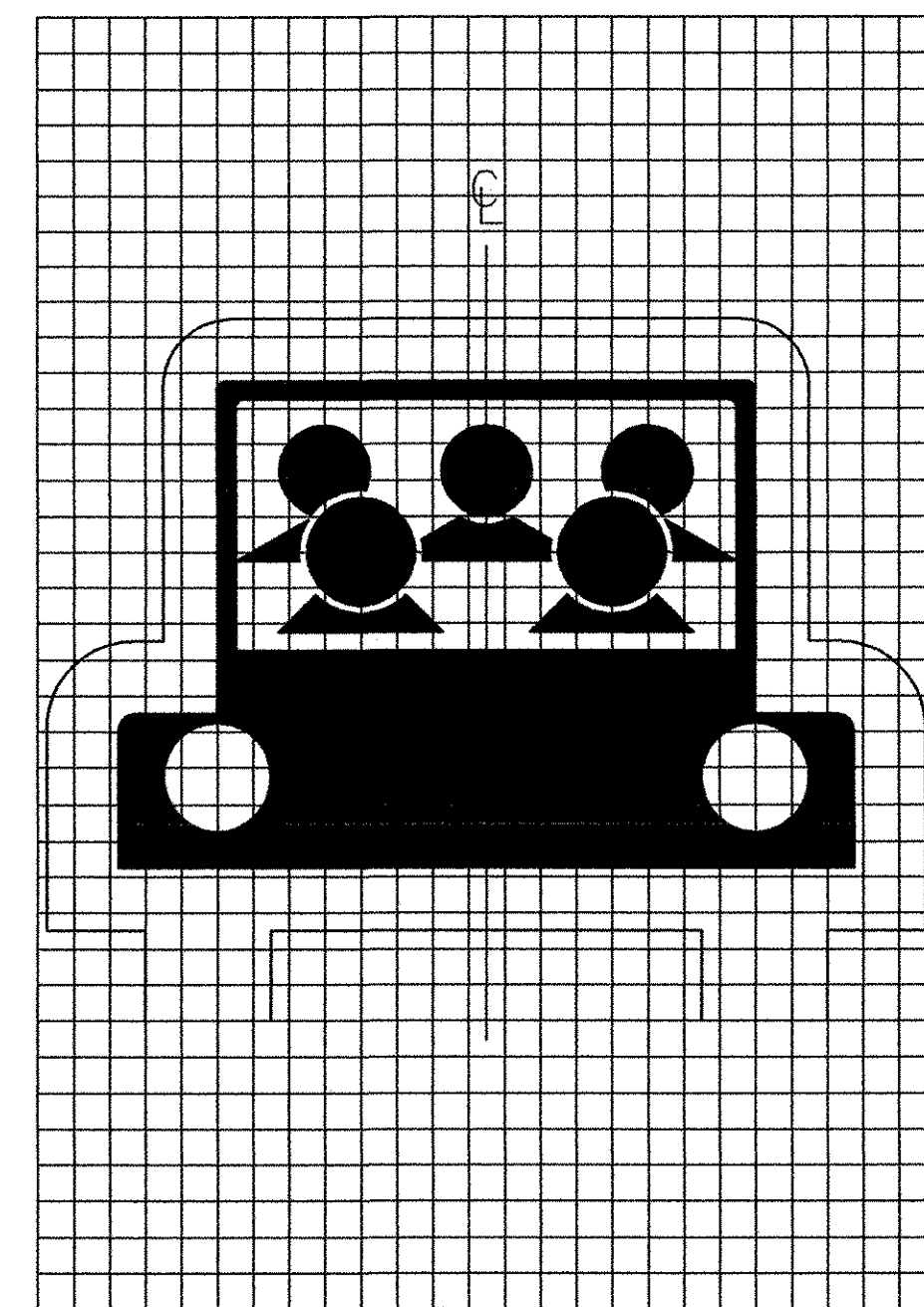
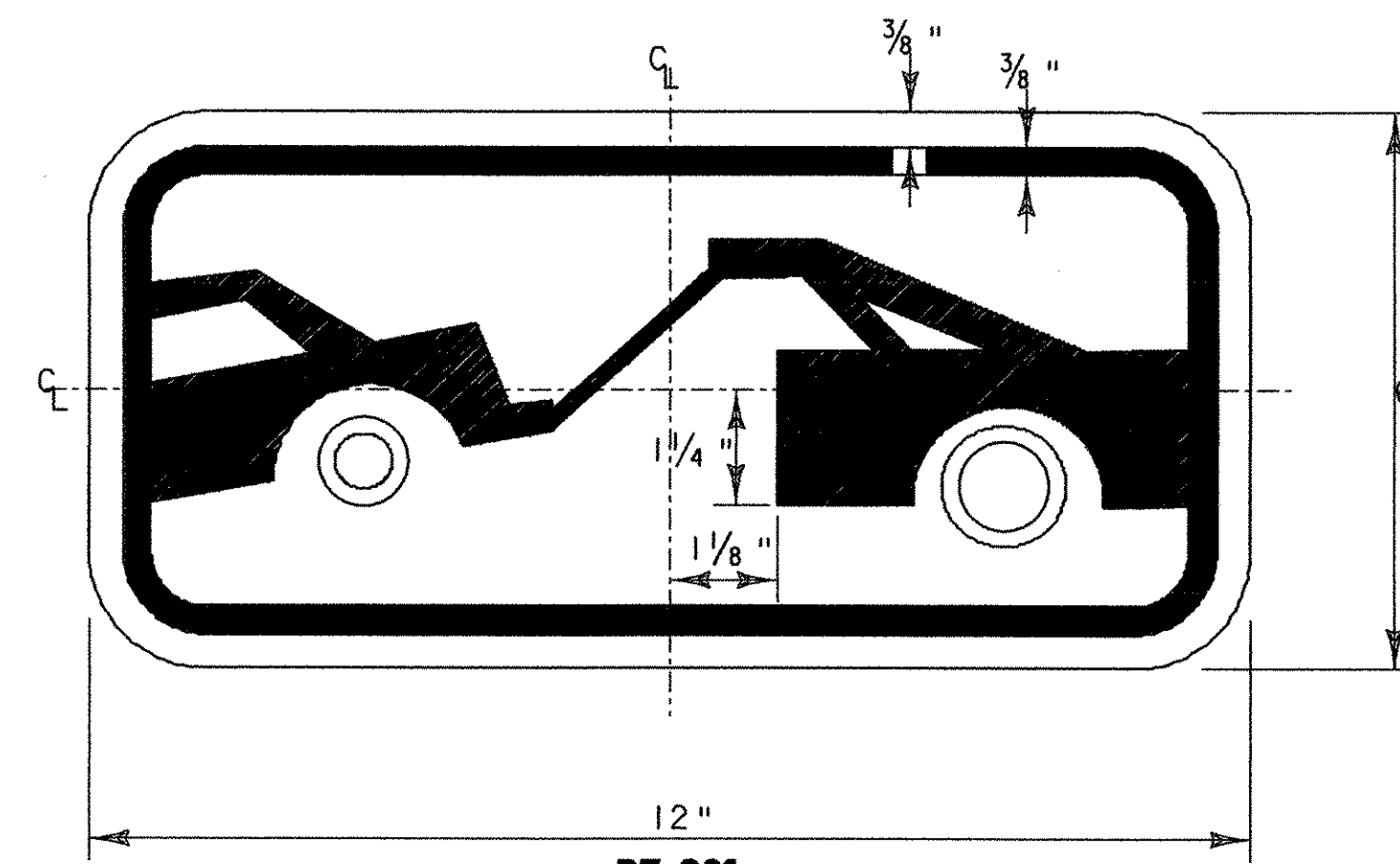


D4-2
 WHITE (REFL.) LEGEND, ARROW & BORDER
 WHITE & GREEN SYMBOL
 GREEN (REFL.) BACKGROUND
 SEE VTrans STANDARD E-131 FOR MATERIALS
 SEE VTrans STANDARD E-144 FOR ARROWHEAD DETAIL

LOCATIONS
 U. S. ROUTE 7, NORTH OF INTERSECTION. (RIGHT ARROW)
 U. S. ROUTE 7, SOUTH OF INTERSECTION. (LEFT ARROW)

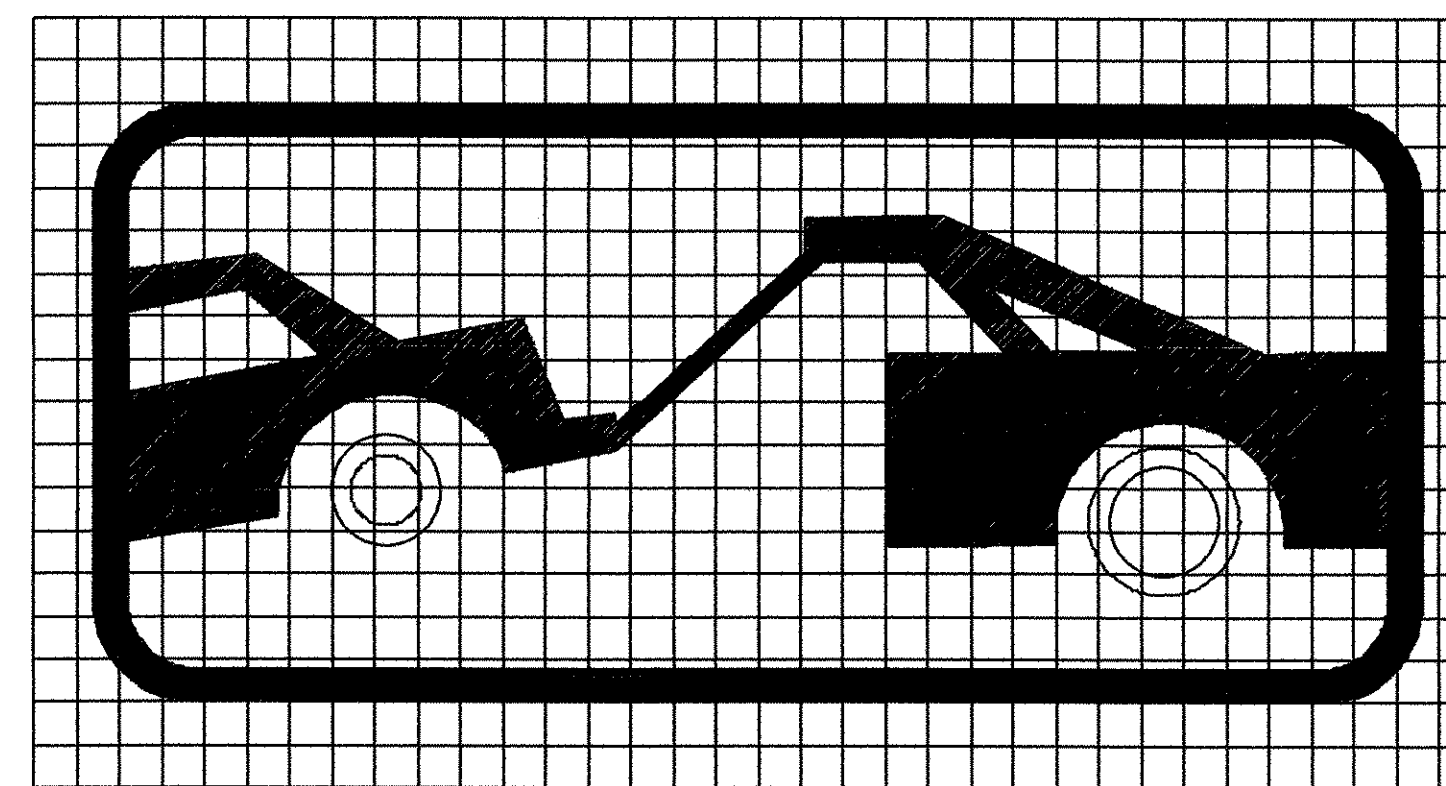


SYMBOL DESIGN

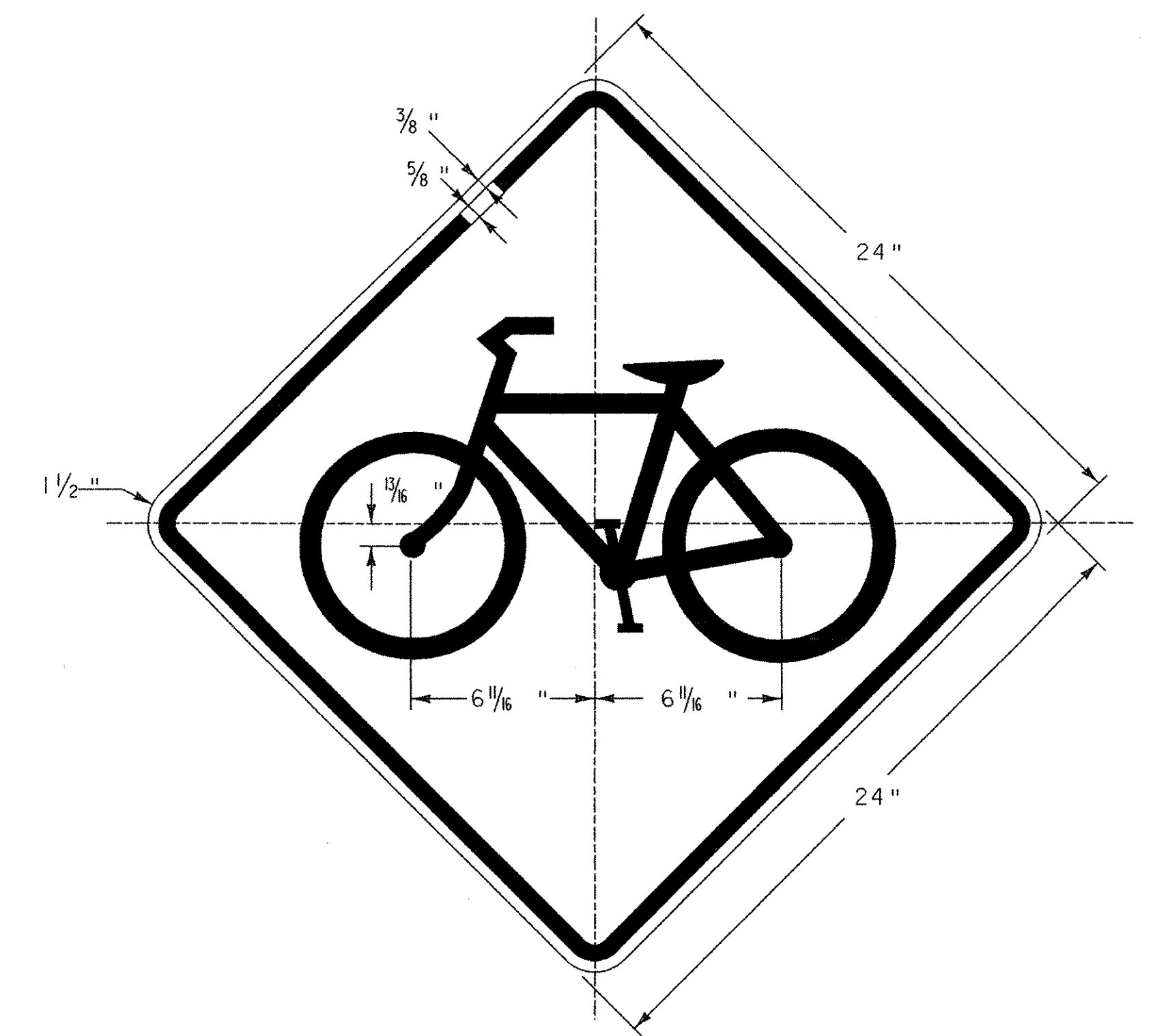


R7-201a
 BLACK BORDER & SYMBOL
 WITH WHITE REFLECTORIZED BACKGROUND
 SEE VTrans STANDARD E-142 FOR MATERIALS

LOCATIONS
 STA. 1+26, LT.
 STA. 55+60, LT.
 STA. 56+11, LT.



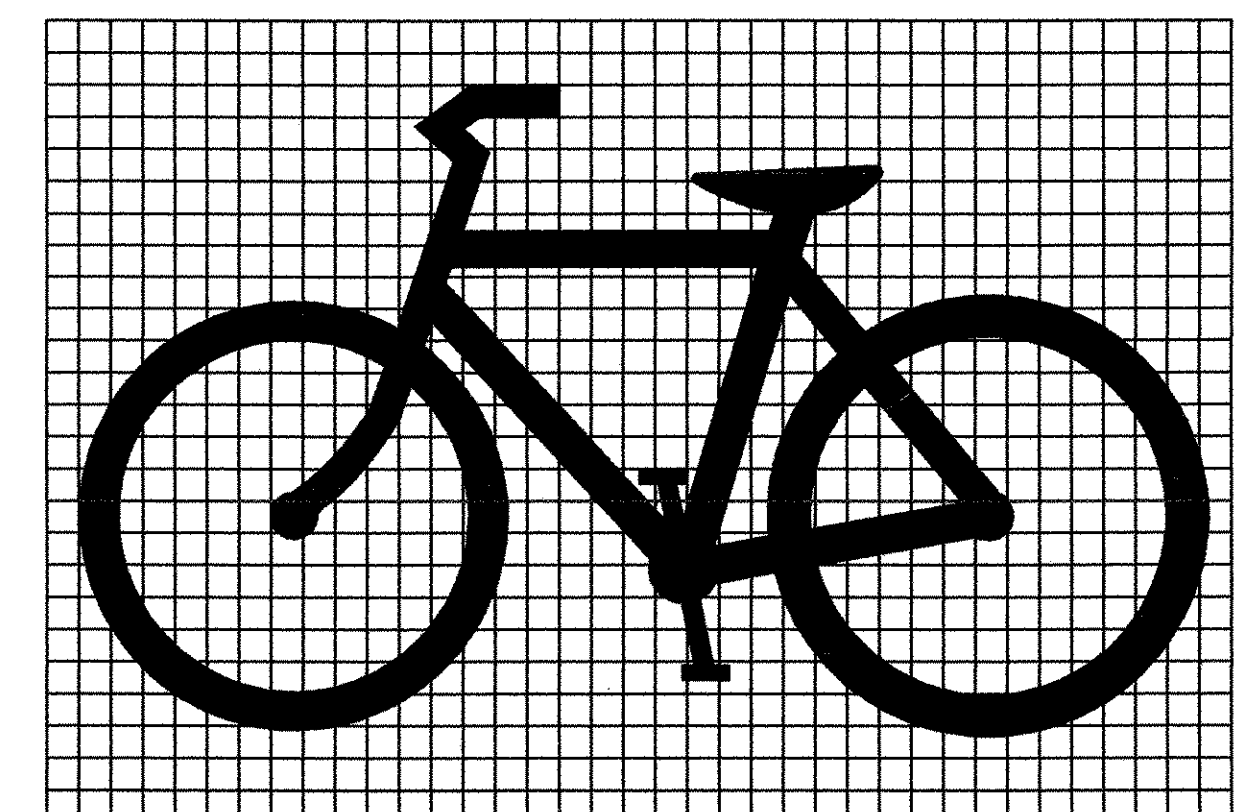
SYMBOL DESIGN



W11-1

BLACK BORDER & SYMBOL
 WITH REFLECTORIZED YELLOW BACKGROUND
 SEE VTrans STANDARD E-154 FOR MATERIALS

LOCATIONS
 BIKE/PED PATH STA. 54+88, LT.



SYMBOL DESIGN



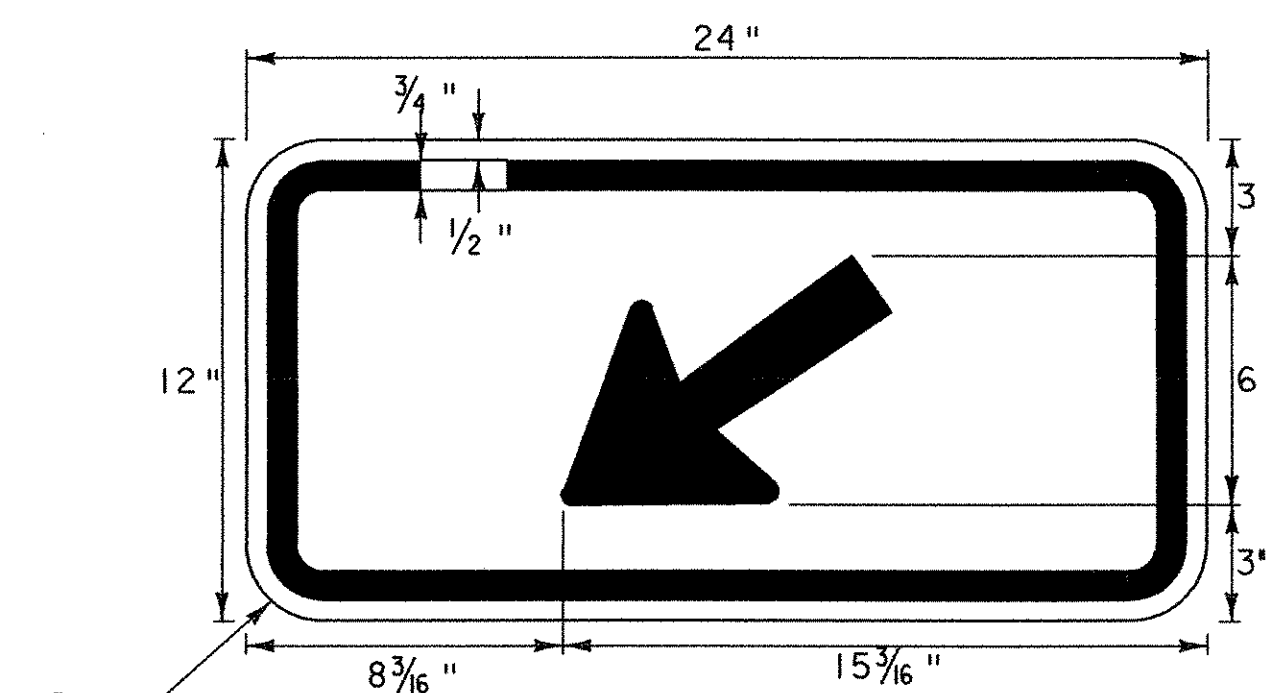
R7-8
 GREEN LEGEND, ARROW & BORDER
 WHITE SYMBOL ON BLUE BACKGROUND
 WHITE (REFL.) BACKGROUND
 SEE VTrans STANDARD E-143 FOR MATERIALS

LOCATIONS:
 PARKING LOT STA. 0+69, LT.
 PARKING LOT STA. 0+89, LT.
 PARKING LOT STA. 4+74, LT.
 PARKING LOT STA. 4+80, LT.

*REDUCE SPACING 50%
 **SEE SYMBOL DESIGN



SYMBOL DESIGN



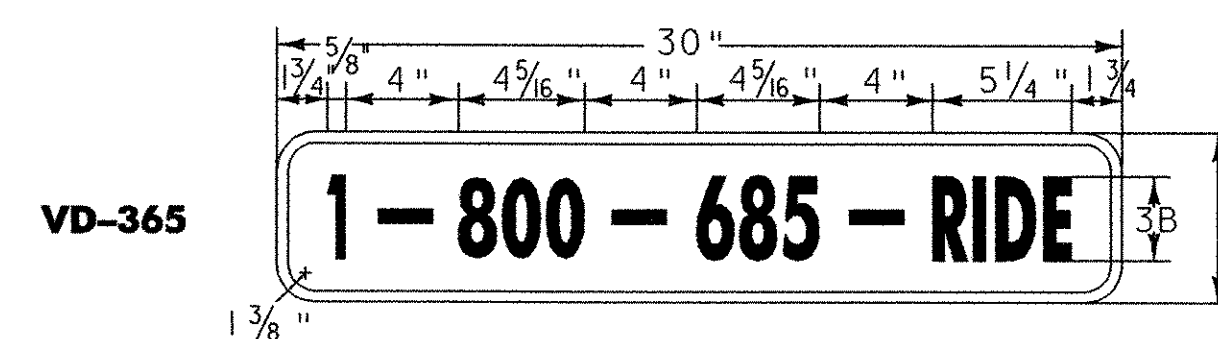
W16-7P

BLACK BORDER & SYMBOL
 WITH REFLECTORIZED YELLOW BACKGROUND
 SEE VTrans STANDARD E-153 FOR MATERIALS
 SEE VTrans STANDARD E-151 FOR ARROWHEAD DETAILS

LOCATIONS
 PARKING LOT STA. 4+05, LT.
 PARKING LOT STA. 4+92, RT.
 BIKE/PED PATH STA. 54+88, LT.

SIGN DETAILS

NOT TO SCALE



VD-365
 WHITE (REFL.) LEGEND, ARROW & BORDER
 GREEN (REFL.) BACKGROUND
 SEE VTrans STANDARD E-131 FOR MATERIALS

LOCATIONS
 U. S. ROUTE 7, NORTH OF INTERSECTION.
 U. S. ROUTE 7, SOUTH OF INTERSECTION.

PROJECT NAME:	FERRISBURGH/VERGS-FERRISBURGH
PROJECT NUMBER:	CMG PARK (15)S/STP EHO(21)
FILE NAME: ...\PlotFiles\24signdetail.plt	PLOT DATE: 4/19/2006
PROJECT LEADER: WLD	DRAWN BY: MBL
DESIGNED BY: CSP/GGG	CHECKED BY: GAS
TRAFFIC SIGN DETAILS SHEET 1	SHEET 24 OF 65