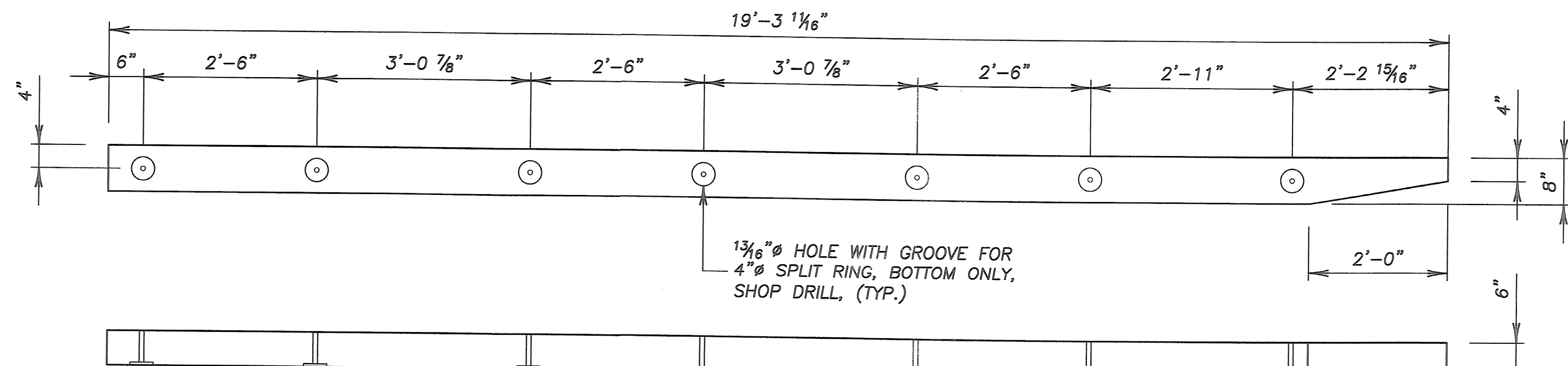


NORTH WEST END CURB THUS

(1)-NORTH WEST END CURB THUS

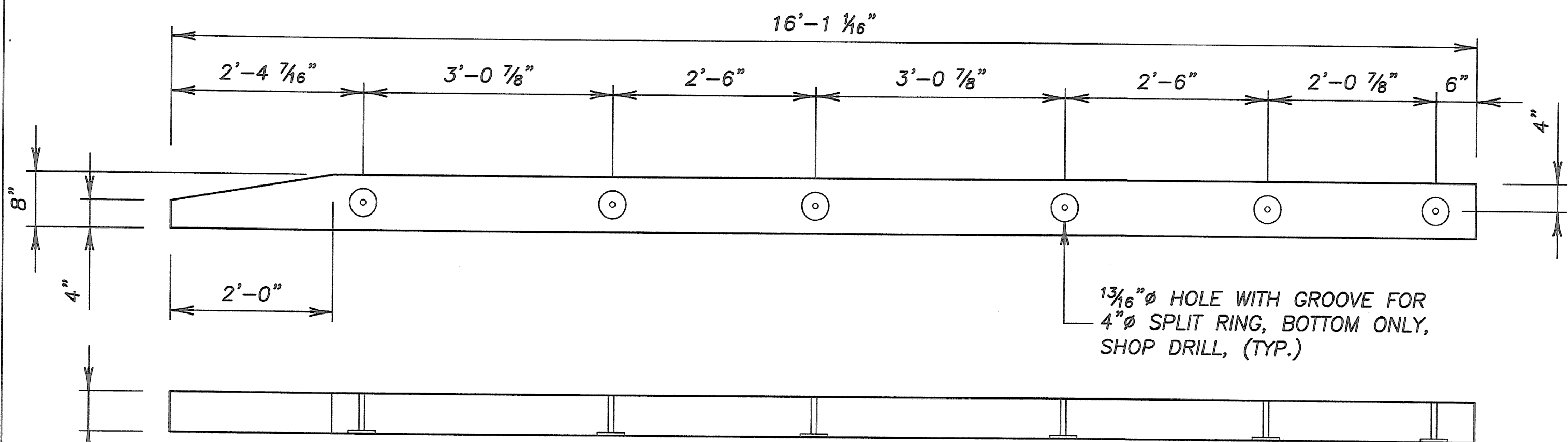
6" X 8" X 16'-1 1/16"
FULL SAWN, CCA



NORTH EAST END CURB THUS

(1)-NORTH EAST END CURB THUS

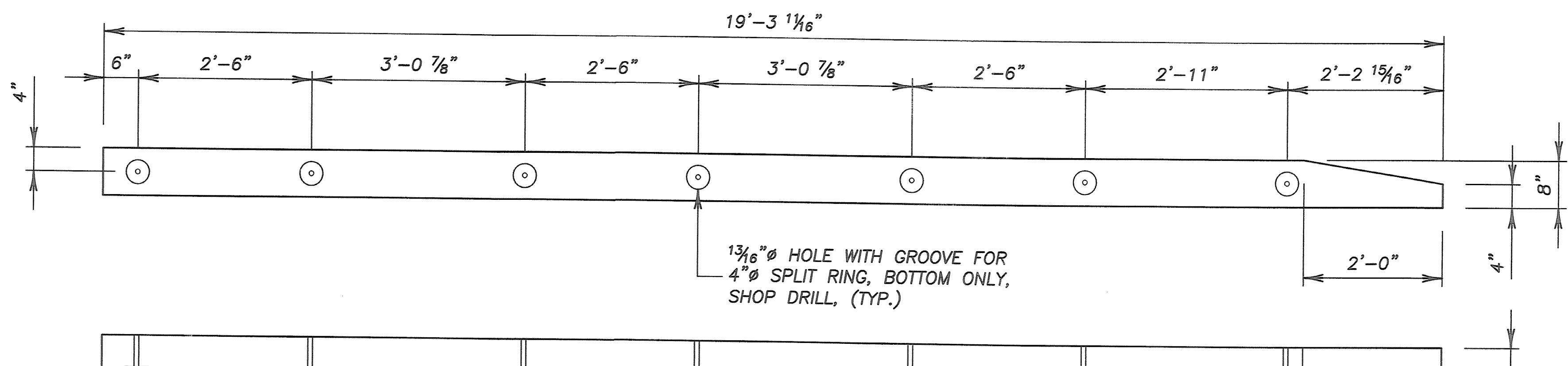
6" X 8" X 19'-3 1/16"
FULL SAWN, CCA



SOUTH WEST END CURB THUS

(1)-SOUTH WEST END CURB THUS

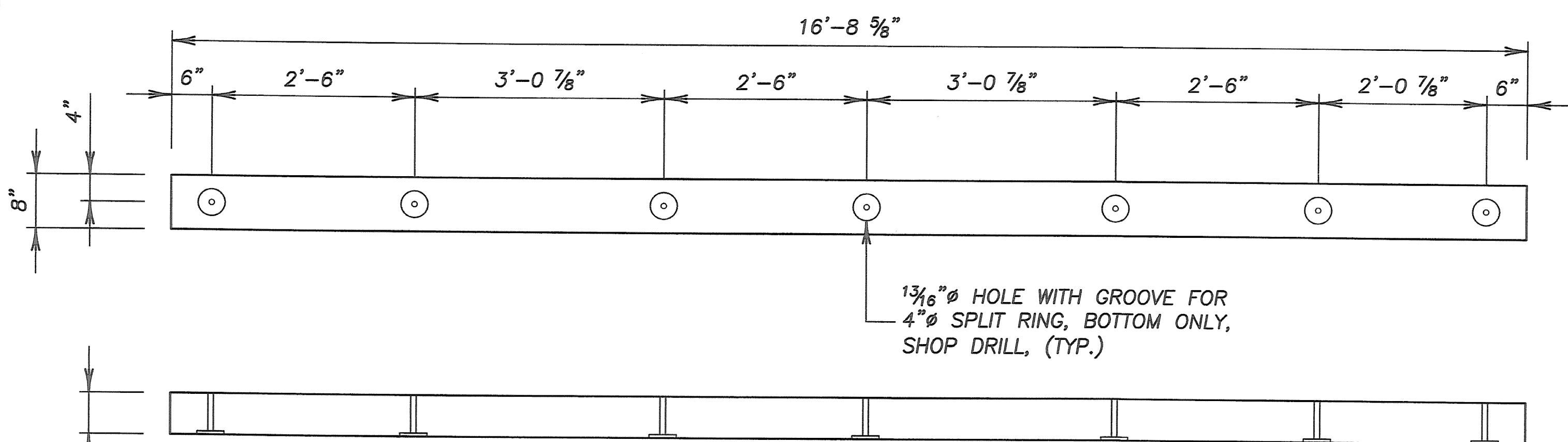
6" X 8" X 16'-1 1/16"
FULL SAWN, CCA



SOUTH EAST END CURB THUS

(1)-SOUTH EAST END CURB THUS

6" X 8" X 19'-3 1/16"
FULL SAWN, CCA



INTERIOR CURB THUS

(14)-INTERIOR CURB THUS

6" X 8" X 16'-8 5/8"
FULL SAWN, CCA

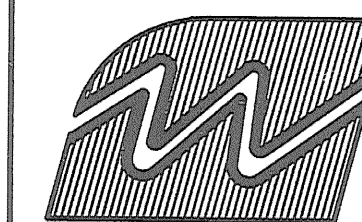
MATCHMARK

MATCHMARK CORRESPONDING
CURBS & SCUPPERS

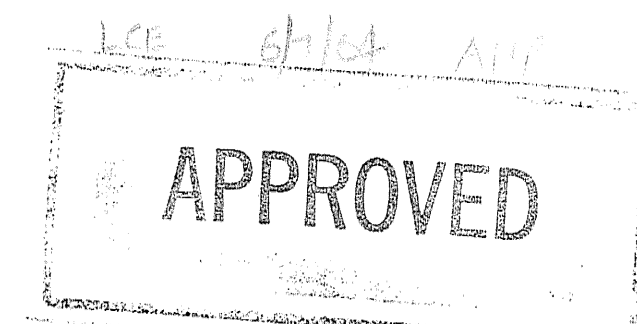
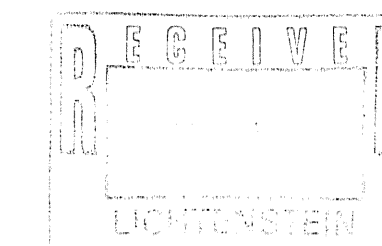
DO NOT SCALE DRAWINGS

STATE OF VERMONT
AGENCY OF TRANSPORTATION
PROPOSED IMPROVEMENT BRIDGE PROJECT

CURB PREFRAMING



SHOPS PREPARED BY:
WHEELER CONSOLIDATED
12127 WHITEWOOD SERVICE ROAD
WHITEWOOD, SD 57793 (605) 269-2372



RECEIVED
OK'D BY: _____ OK'D BY: _____
MAY 19 2004
RESUBMIT: _____ APPROVED: _____
BY: _____ DATE: _____

TRACKING NO.: T11547	ORDER NO.: 11245
DATE: 1/20/04	DWN: LAF
CHKD: MAC	SHEET 9 OF 10