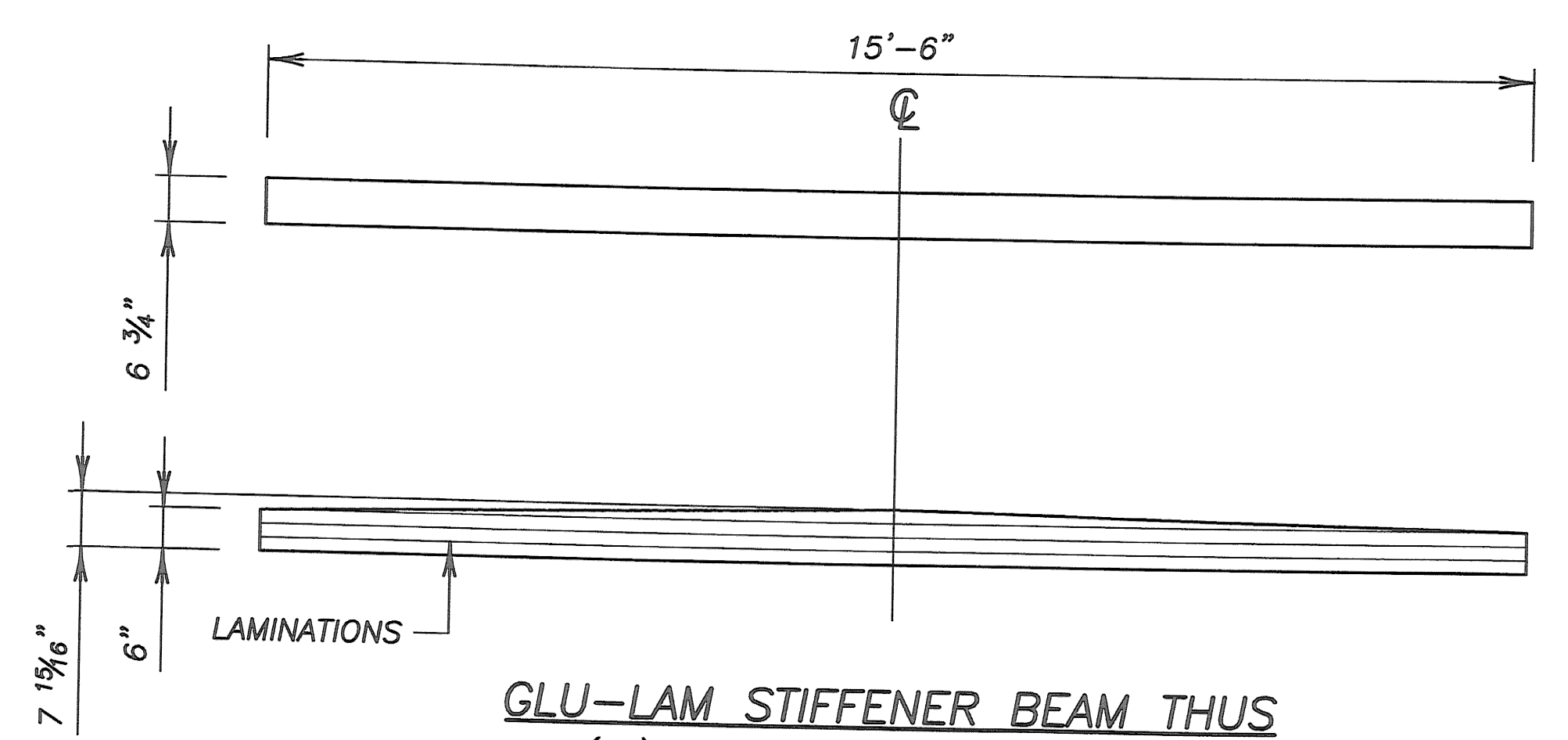
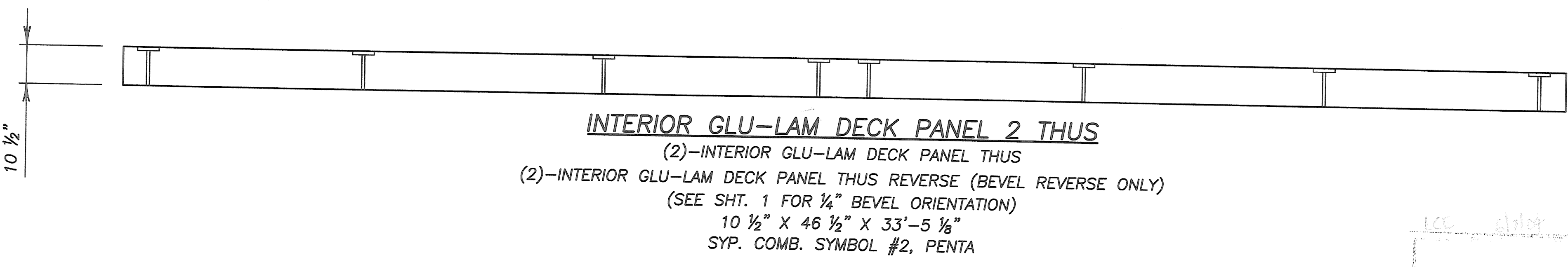
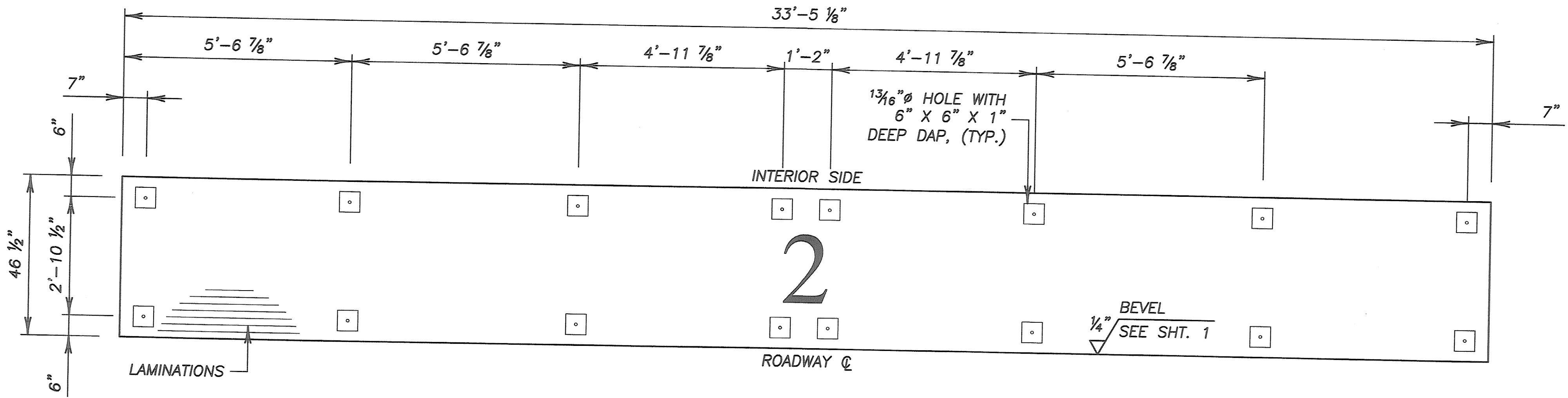


NORTH FASCIA GLU-LAM DECK PANEL 2 THUS
 (2)-NORTH FASCIA GLU-LAM DECK PANEL THUS
 10 1/2" X 46 1/2" X 33'-5 1/8"
 SYP. COMB. SYMBOL #2, PENTA



GLU-LAM STIFFENER BEAM THUS
 (18)-GLU-LAM STIFFENER BEAM THUS
 6 3/4" X 7 15/16" X 15'-6"
 SYP. COMB. SYMBOL #2, PENTA



INTERIOR GLU-LAM DECK PANEL 2 THUS
 (2)-INTERIOR GLU-LAM DECK PANEL THUS
 (2)-INTERIOR GLU-LAM DECK PANEL THUS REVERSE (BEVEL REVERSE ONLY)
 (SEE SHT. 1 FOR 1/4" BEVEL ORIENTATION)
 10 1/2" X 46 1/2" X 33'-5 1/8"
 SYP. COMB. SYMBOL #2, PENTA

SPECIFICATIONS:
 GLU-LAM BEAMS TO BE SOUTHERN YELLOW PINE, COMB. SYMB. 2, SP/SP.
 GLU-LAMS TO BE INDUSTRIAL IN APPEARANCE, FILL ALL VOIDS.
 GLU-LAMS ARE NOT TO BE END SEALED, SURFACE SEALED, OR WRAPPED.
 GLU-LAMS TO BE PENTA TREATED AFTER FABRICATION IN ACCORDANCE WITH THE REQUIREMENTS OF AASHTO M133.
 ENDS OF GLU-LAMS TO BE PLUMB.
 GLU-LAMS SHALL BE INCISED FOR TREATING.
 GLU-LAMS SHALL BE MANUFACTURED USING WET-USE ADHESIVES.
 GLU-LAMS SHALL BE MARKED WITH A QUALIFIED INSPECTION & TESTING AGENCY MARK PRIOR TO TREATMENT & A CERTIFICATE & TEST RESULTS INDICATING CONFORMANCE TO ANSI/AITC A190.1 SHALL BE PROVIDED.
 ALL HOLES SHALL BE DRILLED PERPENDICULAR TO SURFACE SHOWN TO ASSURE FIELD PLACEMENT OF BEAMS, DIAPHRAGMS, ATTACHING STEEL, ETC...

DO NOT SCALE DRAWINGS

ICE, AITC, AHC
APPROVED

RECEIVED
 OK'D BY: _____ OK'D BY: _____
 MAY 19 2004
 RESUBMIT: _____ APPROVED: _____
 BY: _____ DATE: _____

RECEIVED
 WHEELER CONSOLIDATED

DISCLAIMER:
 PLANS ARE FOR FABRICATION PURPOSED ONLY.
 SIZE OF DECKS GIVEN.
 WHEELER NOT RESPONSIBLE FOR DESIGN LOADS.

STATE OF VERMONT
 AGENCY OF TRANSPORTATION
 PROPOSED IMPROVEMENT BRIDGE PROJECT

PANEL 2 PREFRAMING

SHOPS PREPARED BY:
WHEELER CONSOLIDATED
 12127 WHITEWOOD SERVICE ROAD
 WHITEWOOD, SD 57793 (605) 269-2372

TRACKING NO.: T11547 ORDER NO.: 11245
 DATE: 1/20/04 DWN: LAF CHKD. MAC SHEET 3 OF 10