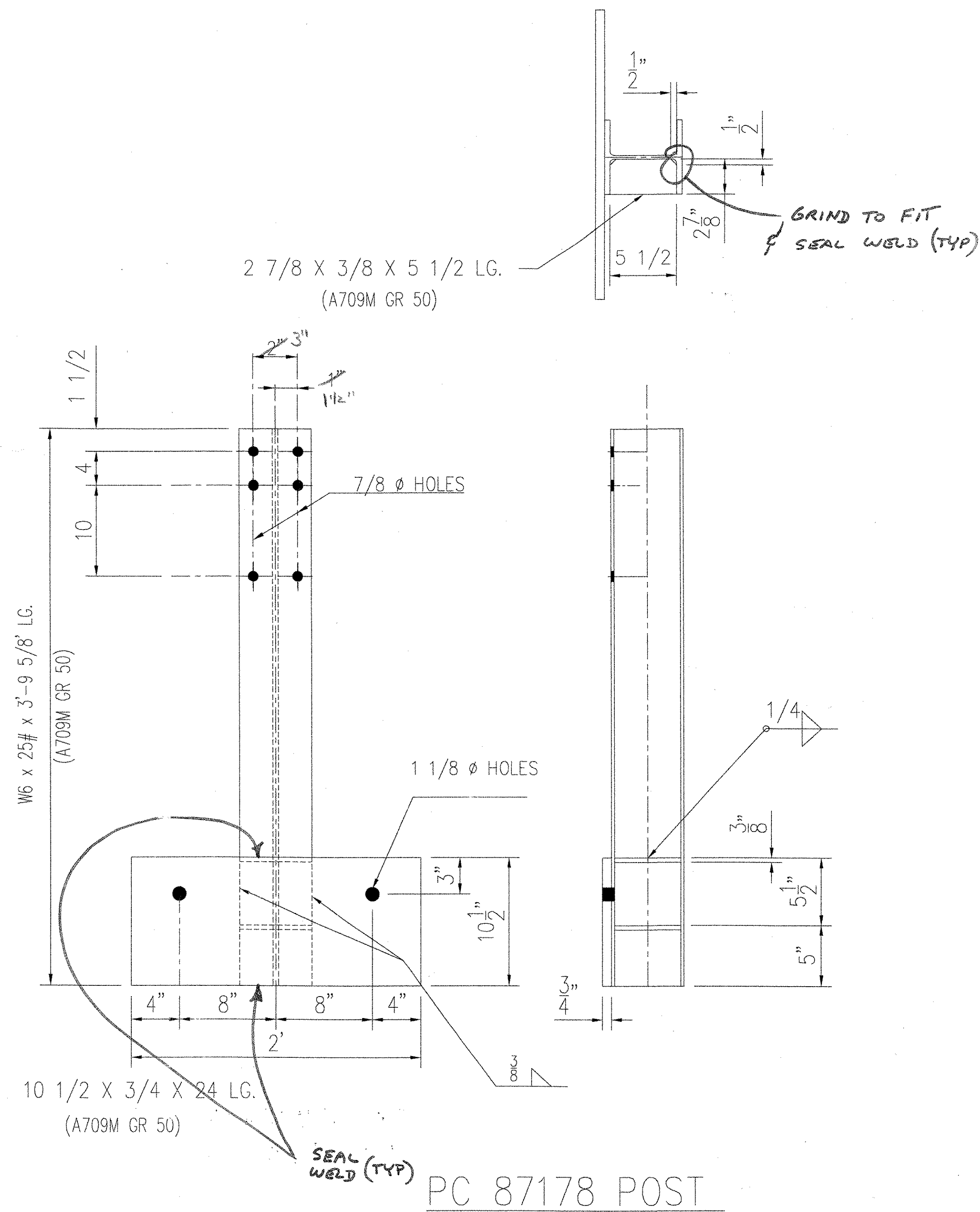
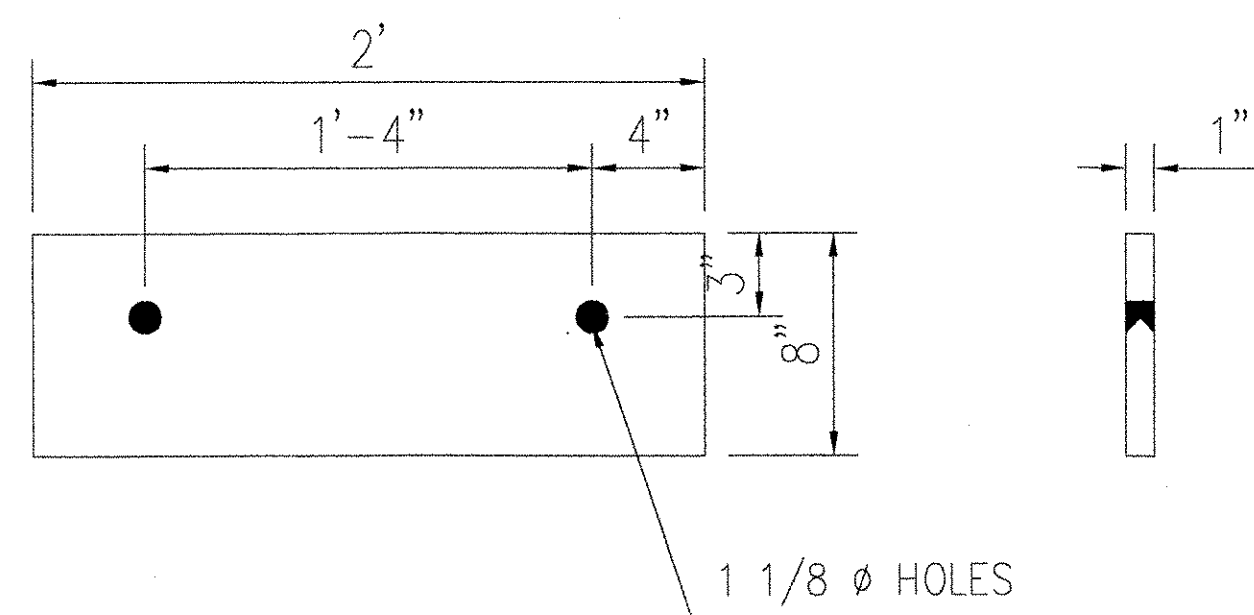


PC 87177 POST



PC 87178 POST

BILL OF MATERIAL				
PRODUCT CODE	QTY.	DESCRIPTION	WT./EA.	REMARKS
87177G	16	POST x 3'-11 13/16"	129#	
87178G	40	POST x 3' 9 5/8"	164#	
87179G	40	PLATE	57.6#	

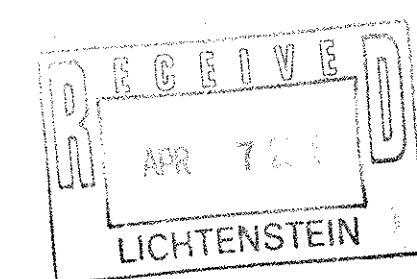
V.A.O.T. RECEIVED
OK'D BY: JWC
APR 01 2004
RESUBMIT APPROVED AS NOTED
DATE 04-28-04

APPROVAL DRAWING

GIRARD ENGINEERING DEPT.
ISSUED
Wednesday, March 24, 2004
TRINITY INDUSTRIES, INC.
1170 N. STATE STREET
GIRARD, OHIO 44420

APPROVED EXCEPT
AS NOTED

LICHTENSTEIN
CONSULTING ENGINEERS, INC.
This drawing has only been checked for conformance with the design concept of the Project and compliance with the information given in the Contract Documents. Contractor is responsible for dimensions to be confirmed and corrected at the job site; for information that pertains solely to the fabrication process or to techniques of construction; and for coordination of the work of all trades.
By: [Signature] Date: 04/08/04



This drawing and the information shown thereon is the sole property of TRINITY INDUSTRIES, INC. Neither the drawing nor such information is to be used for any purpose other than that for which it was specifically furnished by TRINITY INDUSTRIES, INC., nor is any reproduction authorized without written permission.

ERECTION DETAILS ARE ON E1, E2 AND E3 OF 3

REV.	CHK'D	BY	DATE	REMARKS
PAY ITEM 525.33 NETC 2-RAIL				
STATE OF VERMONT AGENCY OF TRANSPORTATION TOWN OF MADISON, VT STRATFORD, NH PROJECT NO. NH BHO-1447-(24)				DRAWN MARLEY CHECKED SAR APPROVED
CUSTOMER WINTERSET INC		P.O. No. C-1308		DATE 3/4/04
TRINITY INDUSTRIES, INC. HIGHWAY SAFETY PRODUCTS 2525 STEMMONS FREEWAY, DALLAS, TX 75207				ENG. FILE # 22-1032196 SHT. No. D3 OF 3 TRINITY SALES ORDER NO. (22)1032196
				REV. 0