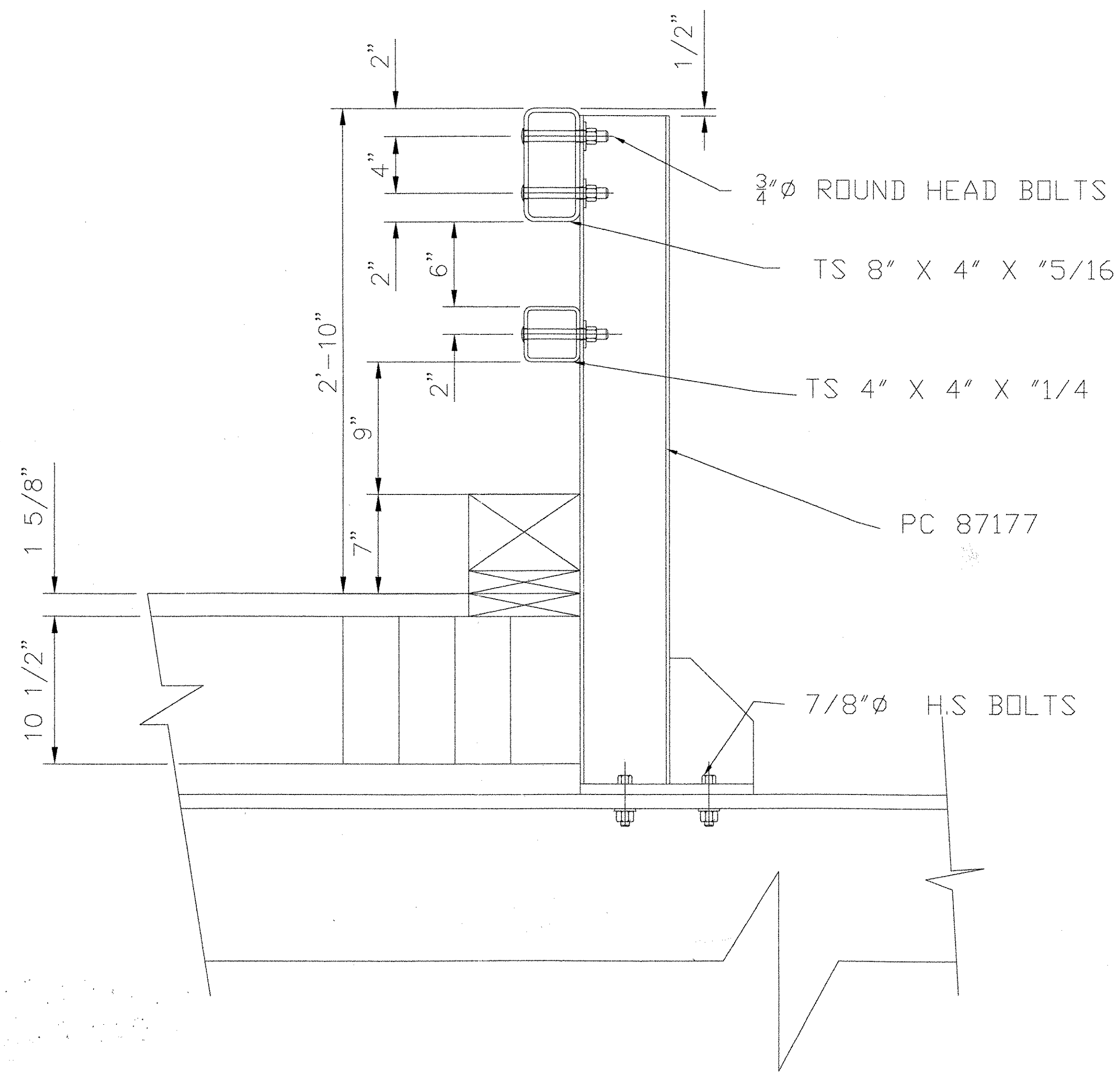
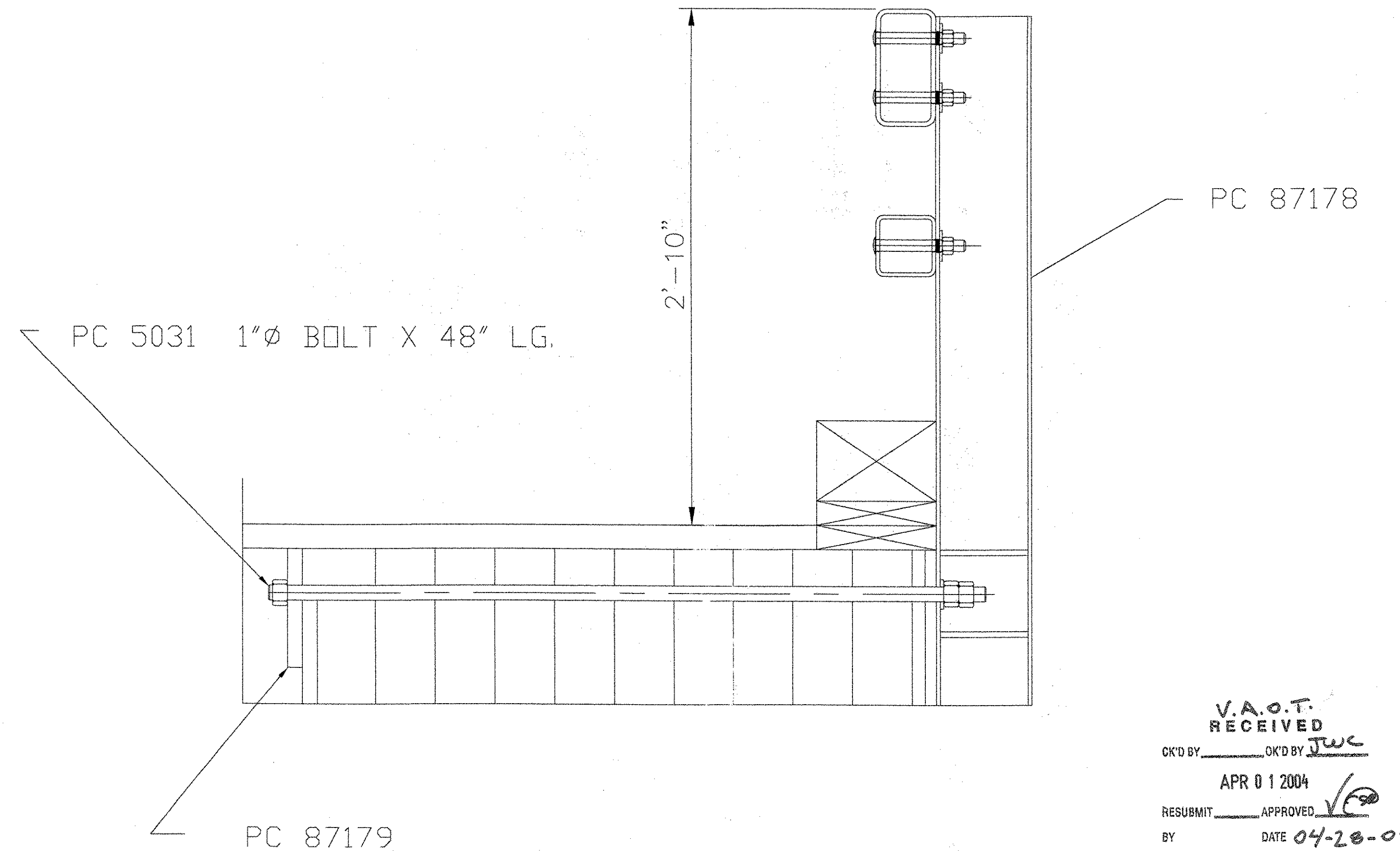


F:\RfShare\Engineering\STATE\VT\1032196\22-1032196-E003.dwg 11:44:28 3/24/04



BRIDGE RAIL SECTION AT FLOOR BEAM



BRIDGE RAIL CONNECTION AT INTERMEDIATE POST

V.A.O.T. RECEIVED
 OK'D BY JWC
 APR 01 2004
 RESUBMIT APPROVED [Signature]
 BY DATE 04-28-04

APPROVED EXCEPT AS NOTED

LICHTENSTEIN CONSULTING ENGINEERS, INC.
 This drawing has only been checked for conformance with the design concept of the Project and compliance with the information given in the Contract Documents. Contractor is responsible for dimensions to be confirmed and correlated at the job site; for information that pertains solely to the fabrication processes or to techniques of construction; and for coordination of the work of all trades.
 By R.S.W. Date 04/08/04

APPROVAL DRAWING

GIRARD ENGINEERING DEPT. ISSUED
Wednesday, March 24, 2004
TRINITY INDUSTRIES, INC.
1170 N. STATE STREET
GIRARD, OHIO 44420

RECEIVED
 APR 7 2004
 LICHTENSTEIN

This drawing and the information shown thereon is the sole property of TRINITY INDUSTRIES, INC. Neither the drawing nor such information is to be used for any purpose other than that for which it was specifically furnished by TRINITY INDUSTRIES, INC., nor is any reproduction authorized without written permission.

SHOP DETAIL ARE ON D1 D2 AND D3 OF 3

REV.	CHK'D	BY	DATE	REMARKS
PAY ITEM 525.33 NETC 2-RAIL				
STATE OF VERMONT AGENCY OF TRANSPORTATION TOWN OF MADISON, VT STRATFORD, NH PROJECT NO. NH BHO-1447-(24)				DRAWN MARLEY CHECKED SAR SCALE:
CUSTOMER WINTERSET INC.		P.O. No. C-1308		DATE 3/18/04
TRINITY INDUSTRIES, INC.				ENG. FILE # 22-1032193
HIGHWAY SAFETY PRODUCTS				SHT. No. E3 OF 3
2525 STEMMONS FREEWAY, DALLAS, TX 75207				TRINITY SALES ORDER NO. (22) 1032196 REV. 0