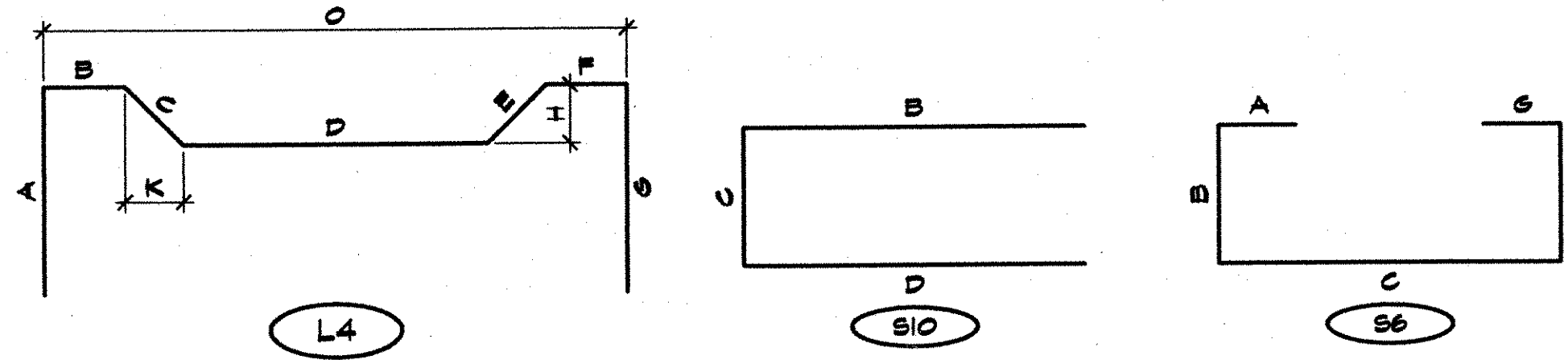
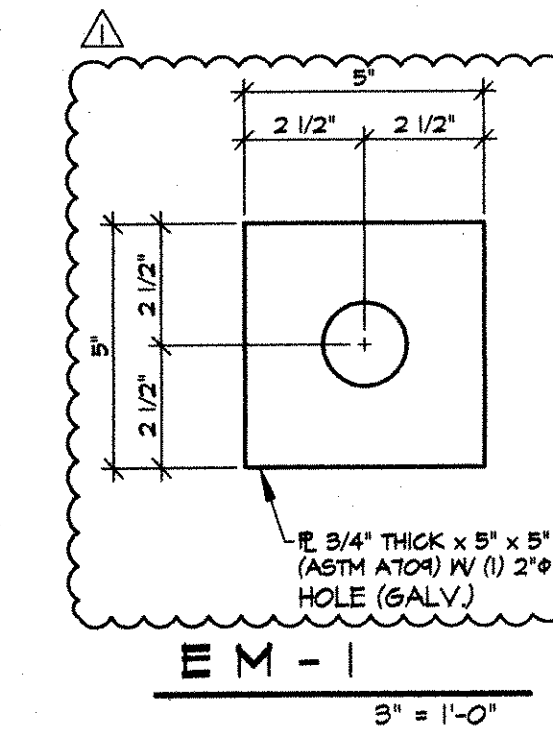


BENT BARS, TIES, & STIRRUPS

ITEM	MARK	QTY.	SIZE	LENGTH	TYPE	A	B	C	D	E	F/R	G	H	J	K	O	GRADE	REMARKS
1	401E	(288)	#4	4'-10"	S10		1'-2"	2'-8"	1'-2"								60	EPOXY COATED
2	402E	264	#4	5'-2"	L4	1'-3"	6"	6 3/8"	11"	6 3/8"	6"	1'-3"	4 1/2"		4 1/2"	2'-8"	60	EPOXY COATED
3	403E	120	#4	3'-10 1/2"	S10		1'-6"	1'-0 1/2"	1'-6"								60	EPOXY COATED
4	404E	72	#4	2'-6"	STR.												60	EPOXY COATED
5	405E	288	#4	5'-4"	S6	6"	1'-2 1/2"	2'-8"	1'-2 1/2"			6"					60	EPOXY COATED
6																		
7	501E	18	#5	CONTINUOUS	STR.												60	E.C. IV (2) 2'-6" STAGGERED LAPS
8																		
9																		
10																		

MISCELLANEOUS MATERIALS

ITEM	MARK	QTY.	DESCRIPTION	REMARKS
1	EM-1	6	2 3/4" x 5" x 5" IV (1) 2" HOLE (GALV.)	FOR ERECTION, SEE DETAIL THIS SHEET
2		6	SINGLE USE STRESSING CHUCK	FOR ERECTION
3		3	1/2" x 20'-4" POLYSTRAND	FOR ERECTION
4				
5	MK-P3	22	MEADOW BURKE HF-42 PRECAST EMBED HANGER	GALVANIZED
6		24	10" x 17'-8" VOID	
7		48	3/4" x 4" NON-FERROUS VOID DRAIN	
8		24	DOUBLE 1/2" STRAND LIFTING LOOPS	
9				
10				



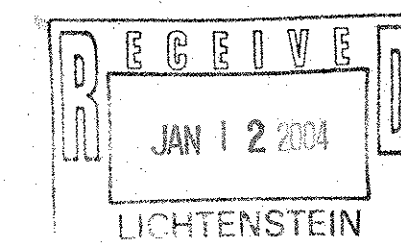
12-15-03 REVISED AS NOTED

APPROVAL STAMP:

APPROVED
LCE 1/13/04 JM

RECEIVED
JAN 09 2004

CHK'D BY _____ OK'D BY _____
RESUBMIT _____ APPROVED _____
BY _____ DATE 1/13/04



J.P. CARRARA & SONS INC.
Precast & Prestress Manufacturer
2464 GAGE STR., WOODBURY, VERMONT 05753 Phone:(802)388-6361 Fax:(802)388-9010

WINTERSET, INC.
CONTRACTOR
LYNDONVILLE, VERMONT

STATE OF VERMONT
AGENCY OF TRANSPORTATION

TOWN OF MAIDSTONE
MAIDSTONE STP 2134(1)S and
MAIDSTONE-STRATFORD, NH BHO 1447(24)

MATERIALS LIST

DATE: NOV. 14, 2003
SCALE: NOTED
CHKD: _____ DFTM: B.L.
JOB NO: 23188-03
DWG. NO: M1