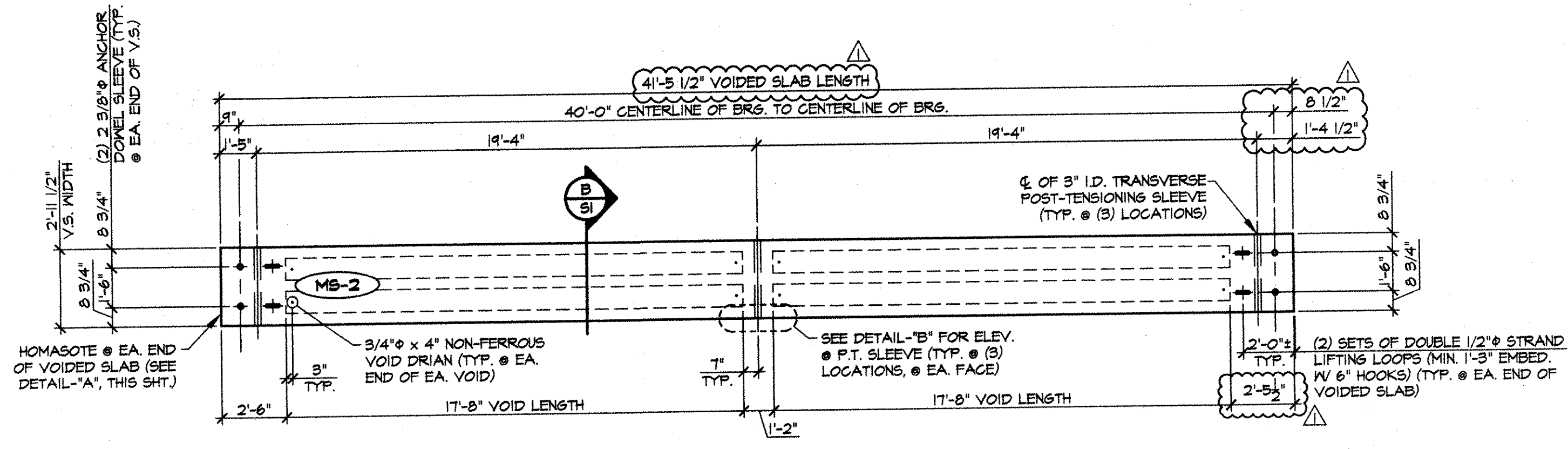
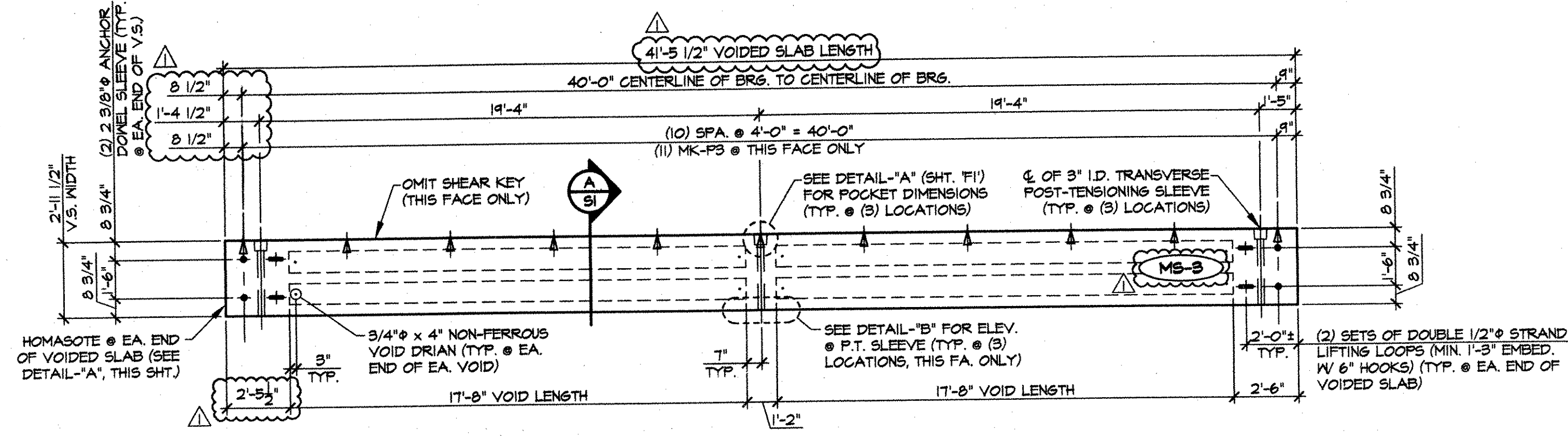


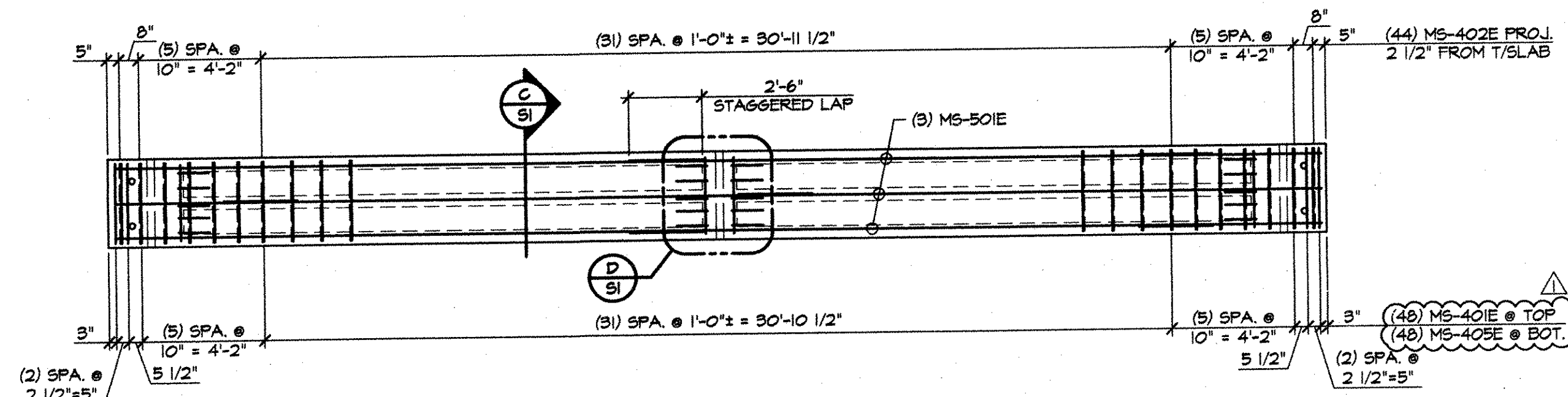
1 DIMENSIONAL PLAN VIEW IN FORM  
1/4" = 1'-0"



2 DIMENSIONAL PLAN VIEW IN FORM  
1/4" = 1'-0"

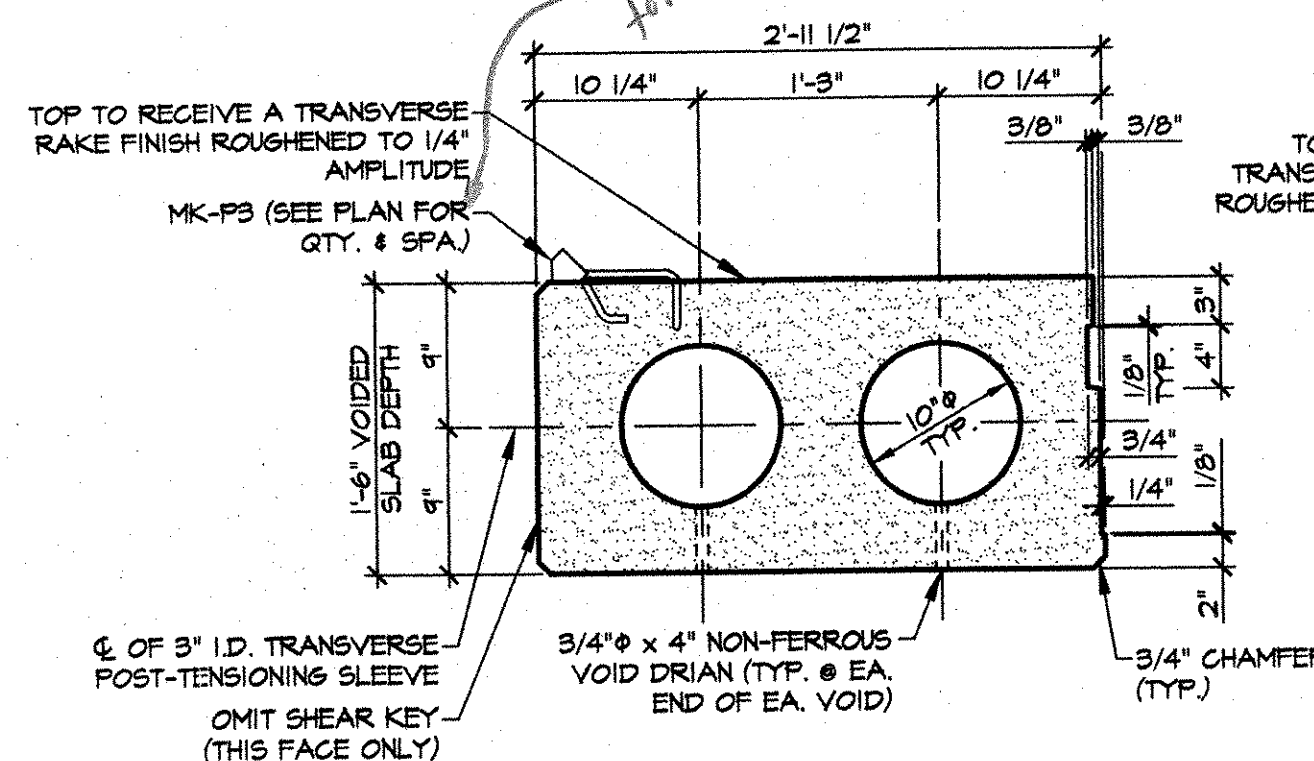


3 DIMENSIONAL PLAN VIEW IN FORM  
1/4" = 1'-0"

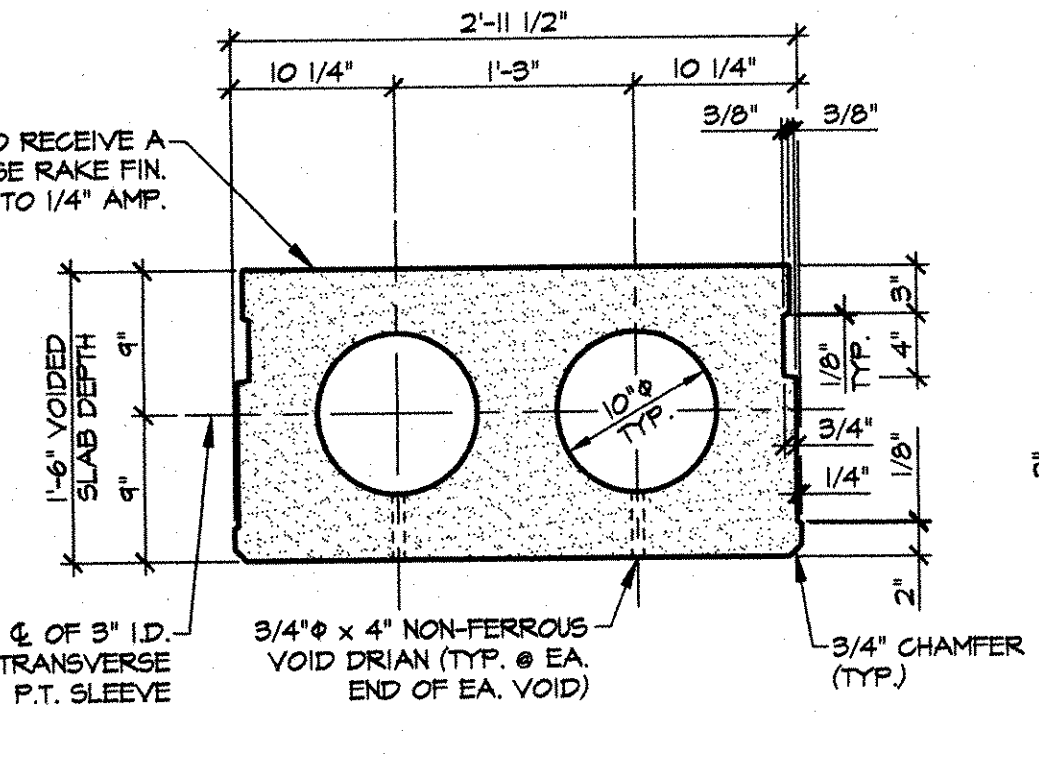


4 REINFORCING PLAN VIEW IN FORM  
1/4" = 1'-0"

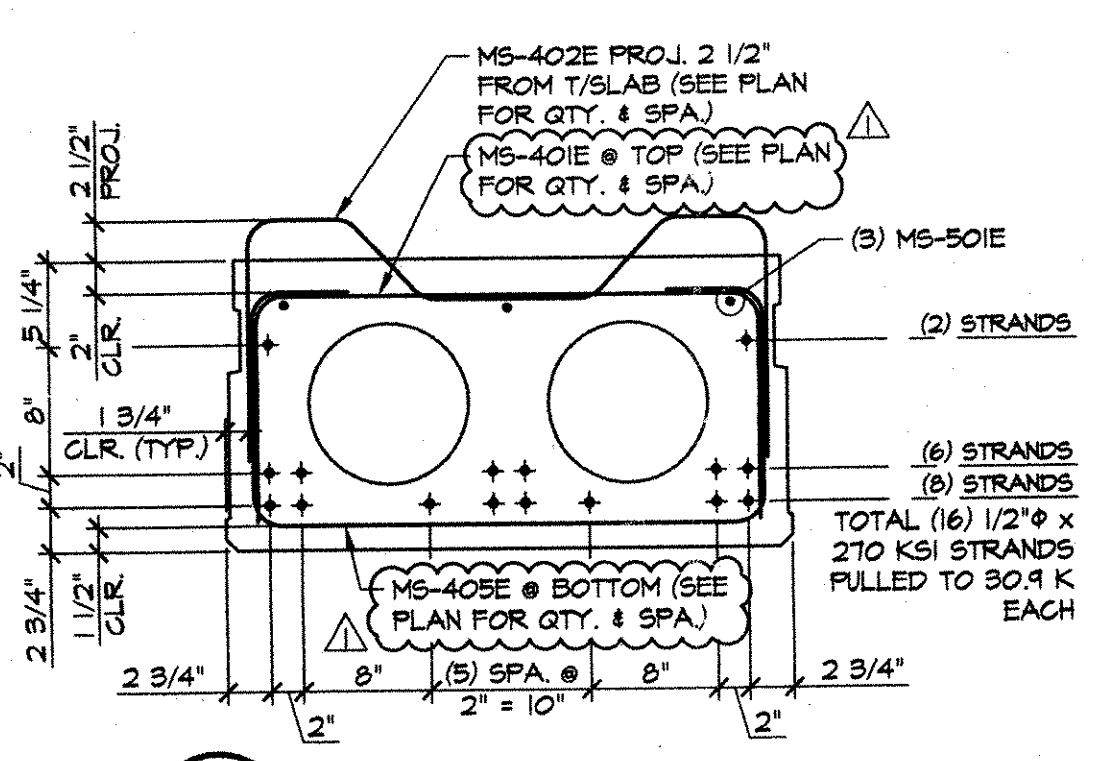
*These are to be printed after the concrete curing is completed and the forms removed (by others).*



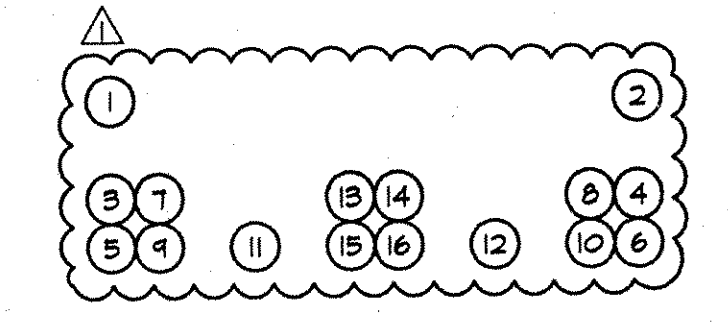
A DIMENSIONAL SECTION  
1" = 1'-0"



B DIMENSIONAL SECTION  
1" = 1'-0"



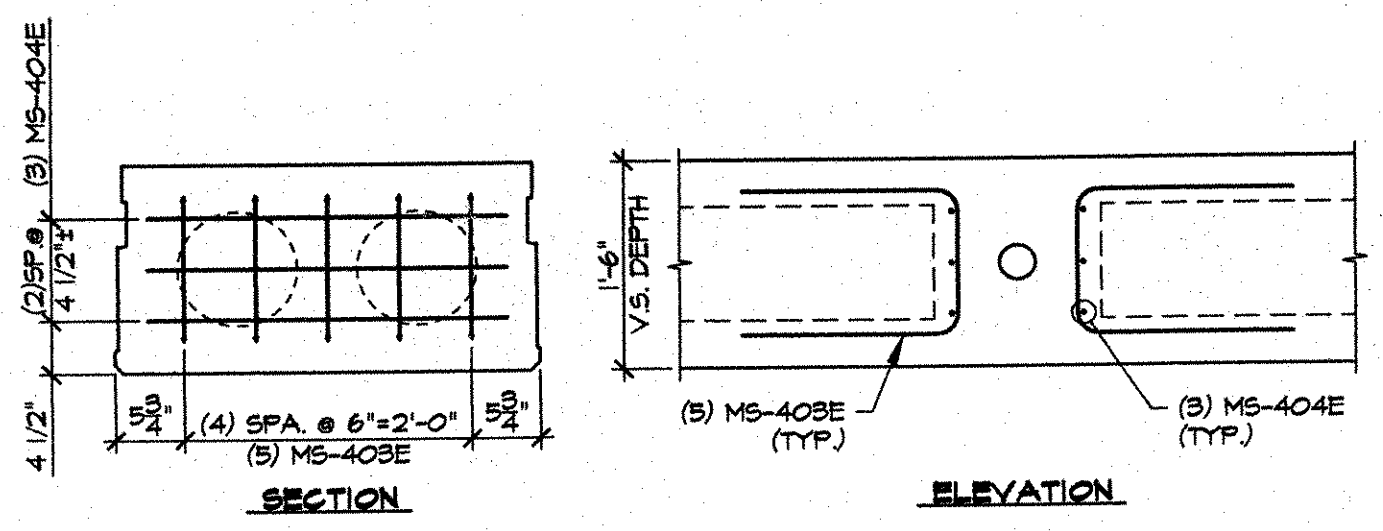
C REINFORCING SECTION  
1" = 1'-0"



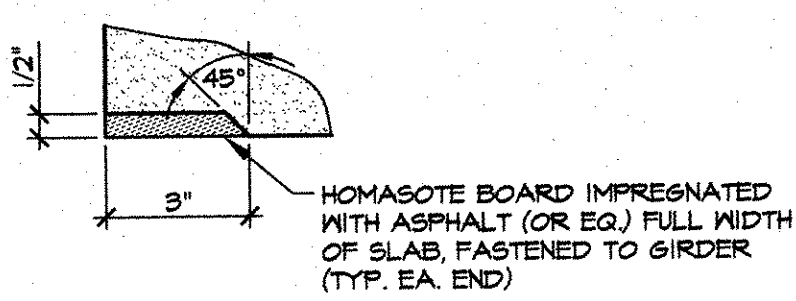
DETENSIONING SCHEDULE  
N.T.S.

MARK: MS-1	QTY.: 1	WT.: 10.75 T	VOL.: 5.31 cy	f'c = 4,000 PSI f'c = 6,000 PSI
MARK: MS-2	QTY.: 4	WT.: 10.58 T	VOL.: 5.22 cy	
MARK: MS-3	QTY.: 1	WT.: 10.58 T	VOL.: 5.22 cy	

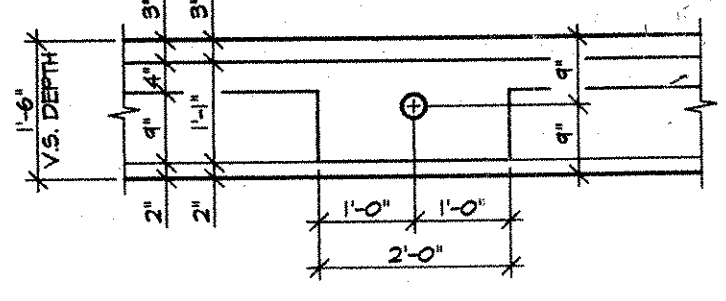
MATERIAL LIST / VOIDED SLAB					
ITEM	MARK	DESCRIPTION	QTY./SLAB		
			MS-1	MS-2	MS-3
1	401E	#4 BENT BAR (EPOXY COATED)	48	48	48
2	402E	#4 BENT BAR (EPOXY COATED)	44	44	44
3	403E	#4 BENT BAR (EPOXY COATED)	20	20	20
4	404E	#4 x 2'-6" (EPOXY COATED)	12	12	12
5	405E	#4 BENT BAR (EPOXY COATED)	48	48	48
6					
7	501E	#5 CONTINUOUS (W/ 2) 2'-6" STAGGERED LAPS) (E.C.)	3	3	3
8					
9	MK-P3	MEADOW BURKE HF-42 PRECAST EMBED HANGER (GALV.)	11		11
10		10" x 17'-8" VOID	4	4	4
11		3/4" x 4" NON-FERROUS VOID DRAIN	8	8	8
12		DOUBLE 1/2" STRAND LIFTING LOOPS	4	4	4



D END BLOCK REINFORCING DETAILS  
3/4" = 1'-0"



DETAIL - "A"  
3" = 1'-0"



DETAIL - "B"  
1/2" = 1'-0"

12-15-03 REVISED AS NOTED

APPROVAL STAMP:

**APPROVED**  
LCE 1/13/04 JM

RECEIVED

CKD BY: \_\_\_\_\_ OKD BY: \_\_\_\_\_

JAN 05 2004

RESUBMIT: \_\_\_\_\_ APPROVED: *AS NOTED*

BY: \_\_\_\_\_ DATE: 1/20/04

RECEIVED  
JAN 12 2004  
LICHTENSTEIN

J.P. CARRARA & SONS INC.  
Precast & Prestress Manufacturer  
2864 CASE ST., MIDDLEBURY, VERMONT 05753 Phone: (802)388-6361 Fax: (802)388-8010

WINTERSET, INC.  
CONTRACTOR  
LYNDONVILLE, VERMONT

STATE OF VERMONT  
AGENCY OF TRANSPORTATION

TOWN OF MAIDSTONE  
MAIDSTONE STP 2134(1)S and  
MAIDSTONE-STRATFORD, NH BHO 1447(24)

P/S VOIDED SLAB DETAILS

DATE: NOV. 14, 2003

SCALE: NOTED

CHKD: \_\_\_\_\_ DFTM: B.L.

JOB NO: 25188-03

DWG. NO: S1