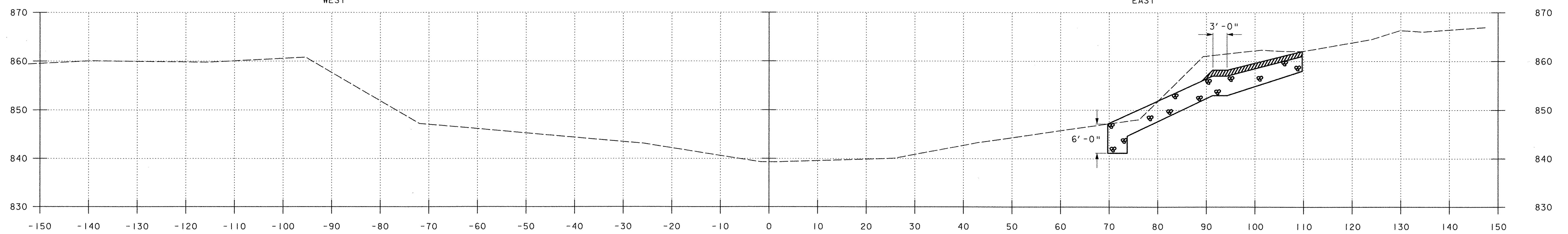


ABUTMENT 1
CHANNEL STA 0+23 S
END STONE FILL TYPE IV
END UNCLASSIFIED CHANNEL EXCAVATION
END GRUBBING MATERIAL
END GEOTEXTILE UNDER STONE FILL

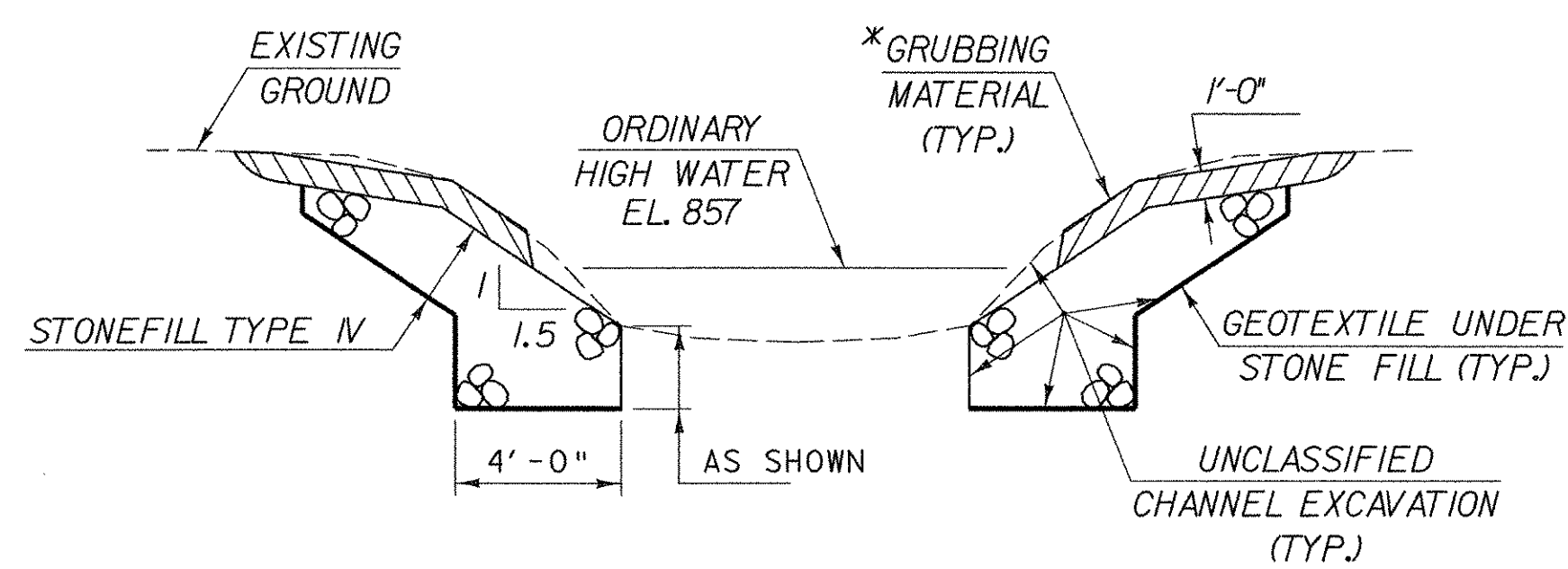
PIER
CHANNEL STA 0+20 S
END STONE FILL TYPE IV
END UNCLASSIFIED CHANNEL EXCAVATION
END GRUBBING MATERIAL
END GEOTEXTILE UNDER STONE FILL

0+20.00 SOUTH

ABUTMENT 2
CHANNEL STA 0+40 S
END STONE FILL TYPE IV
END UNCLASSIFIED CHANNEL EXCAVATION
END GRUBBING MATERIAL
END GEOTEXTILE UNDER STONE FILL



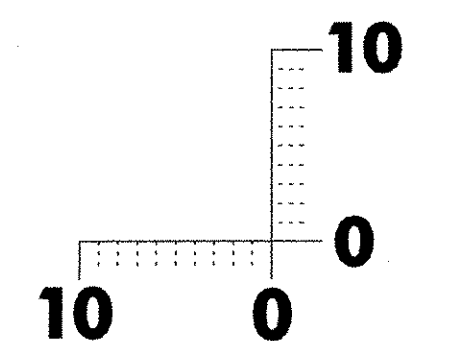
0+40.00 SOUTH



CHANNEL SECTION
(NOT TO SCALE)

* GRUBBING MATERIAL SHALL NOT BE PLACED ON THE STONE FILL IN THE AREA UNDER THE BRIDGE. WHENEVER CHANNEL SLOPE INTERSECTS ROADWAY SUBBASE, GRUBBING MATERIAL SHALL BEGIN AT THE BOTTOM OF SUBBASE.

CHANNEL CROSS SECTIONS 2



SCALE 1" = 10'

X-Section Sheet

CHANNEL CROSS SECTION 2

PREPARED BY J. MESSIER DATE 8/03
CHECKED BY D.B. SULLIVAN DATE 8/03
DESIGN SUPERVISOR _____ DATE _____
PROJ. _____

MAIDSTONE-STRATFORD

TRAFFIC SHEET NO. _____ OF _____
SHEET 63 OF 65 SHEETS



12 AUG 2003 12:20:17 c:\pdd\pdd\pdd\zoe054x2.dgn