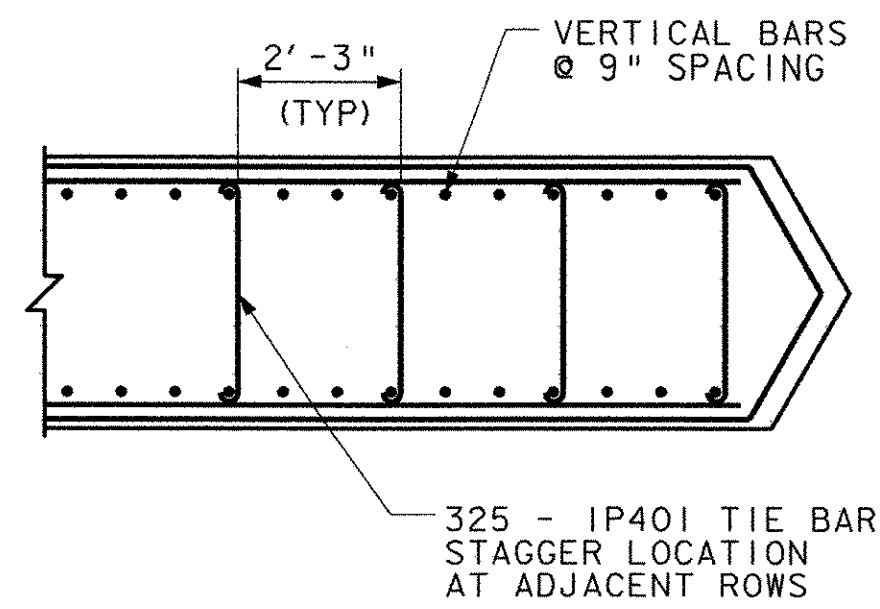


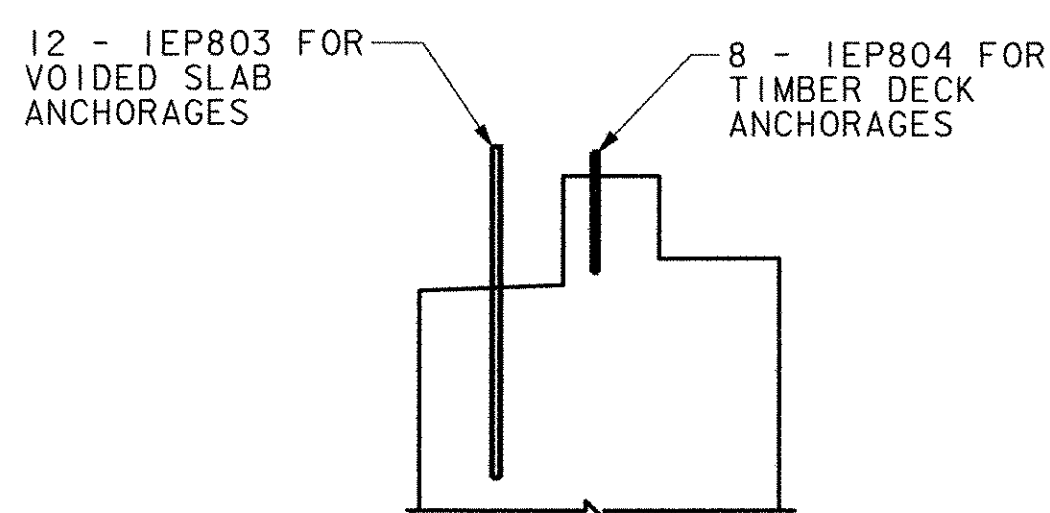
TERMINATE 1 - IP802 EF SPLICE THE REMAINING WITH 7 - IP601 SPLICE LENGTH 2'-7" MIN.

TERMINATE 3 - IP904 EF SPLICE THE REMAINING WITH 9 - IP802 SPLICE LENGTH 4'-7" MIN.

PLAN - PIER
SCALE: 1/4" = 1'-0"

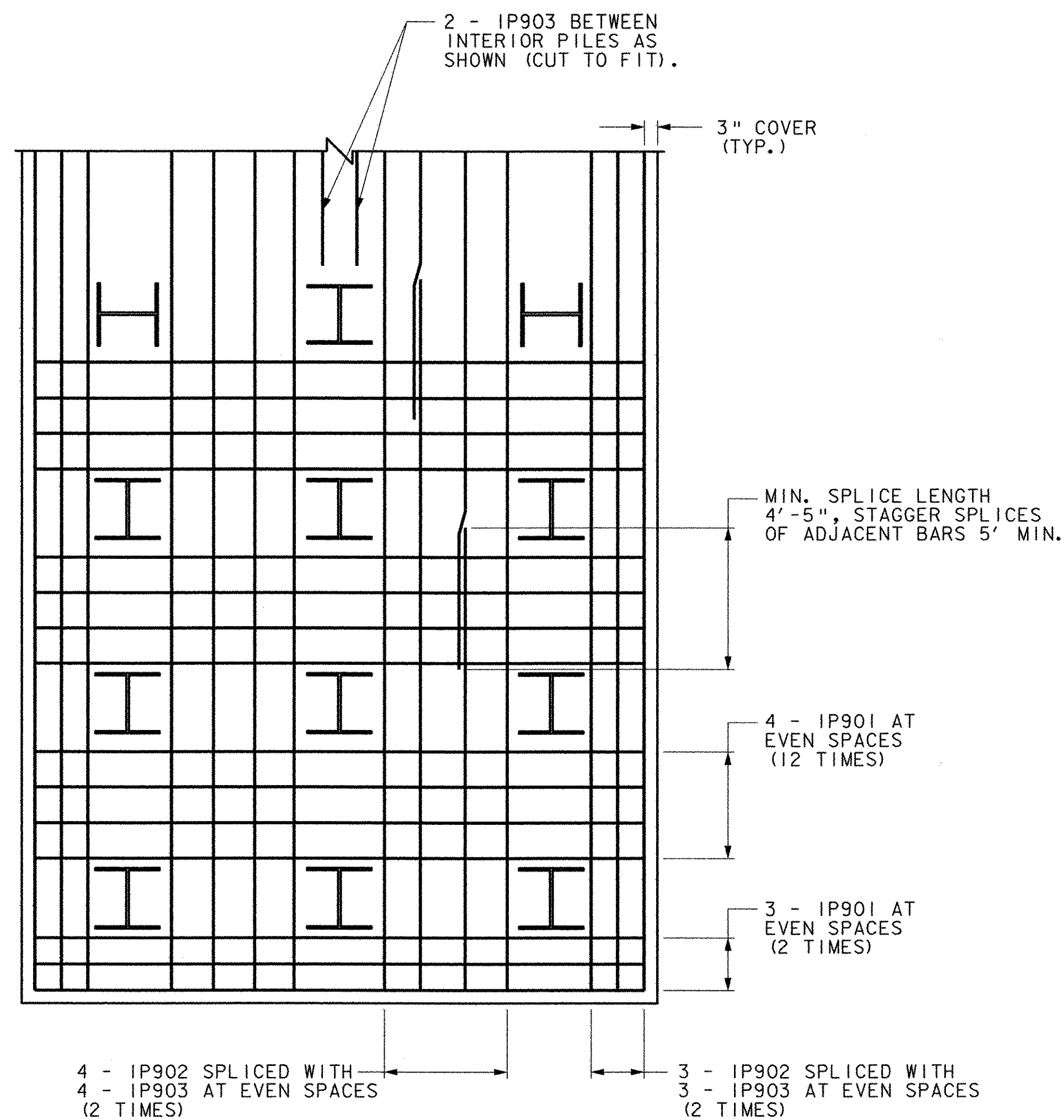


DETAIL T
SCALE: 1/2" = 1'-0"

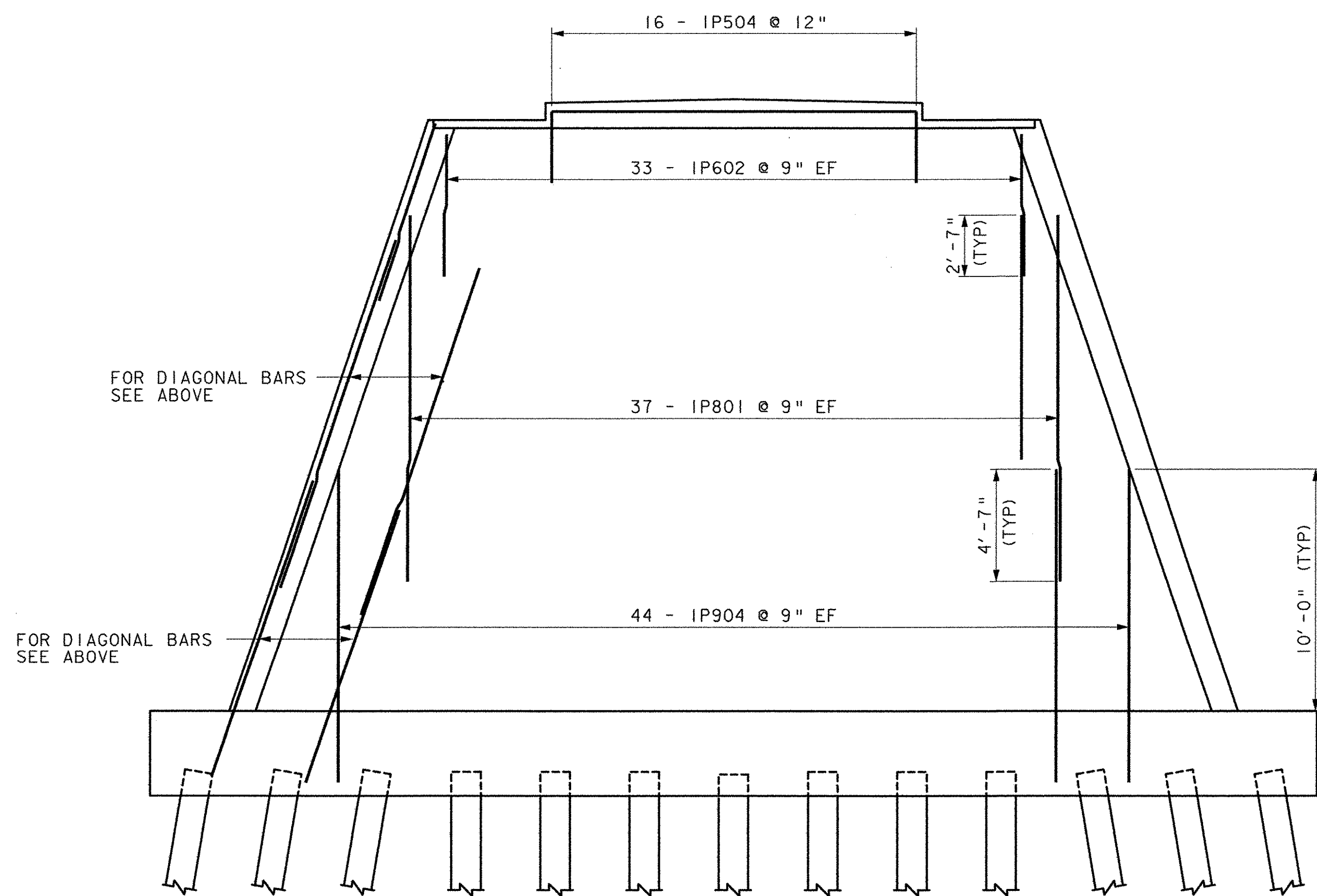


REBAR FOR ANCHORAGES
SCALE: 1/2" = 1'-0"

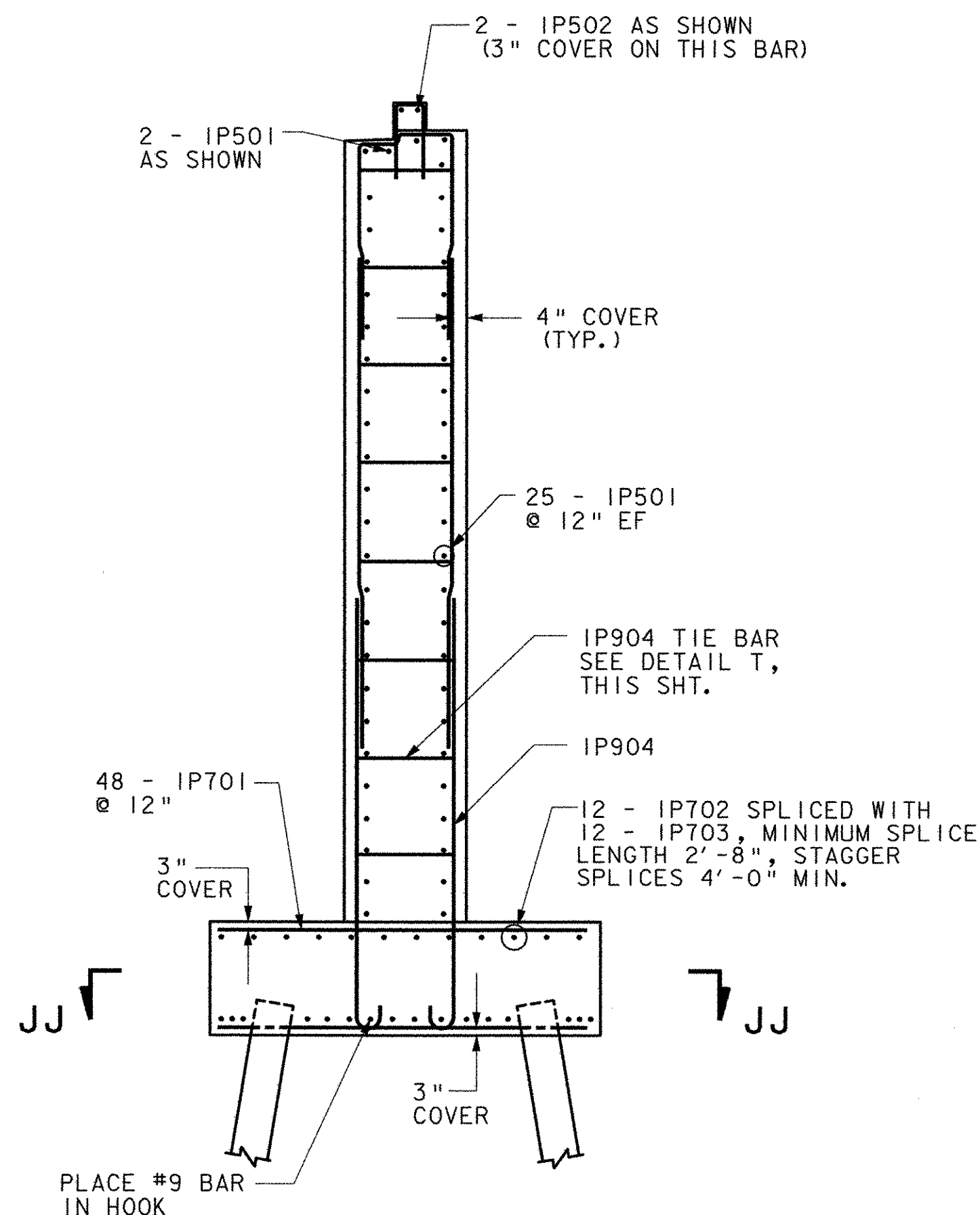
NOTES:
EF = EACH FACE
FF = FAR FACE
NF = NEAR FACE
BF = BACK FACE



SECTION JJ-JJ
BOTTOM MAT REINFORCING STEEL
SCALE: 1/2" = 1'-0"



ELEVATION - PIER
SCALE: 1/4" = 1'-0"



SECTION HH-HH
SCALE: 1/4" = 1'-0"

STATE OF VERMONT
AGENCY OF TRANSPORTATION

Town Of	MAIDSTONE, VT STRATFORD, NH	Bridge No.	1
Highway No.	MAIDSTONE STATE HWY	Log Sta.	
		Surv. Sta.	

PIER REINFORCING DETAILS

Designed By	J. MESSIER	Drawn By	C. DONOHUE
Checked By	Date	Bridge Design Supervisor	Date
	D. B. SULLIVAN		08/01/03

PROJECT	MAIDSTONE-STRATFORD	PROJECT NO.	BHO 1447 (24)
---------	---------------------	-------------	---------------

I.G.C. Info.	
--------------	--

Bridge Sheet No.	Sheet 59 of 65
------------------	----------------