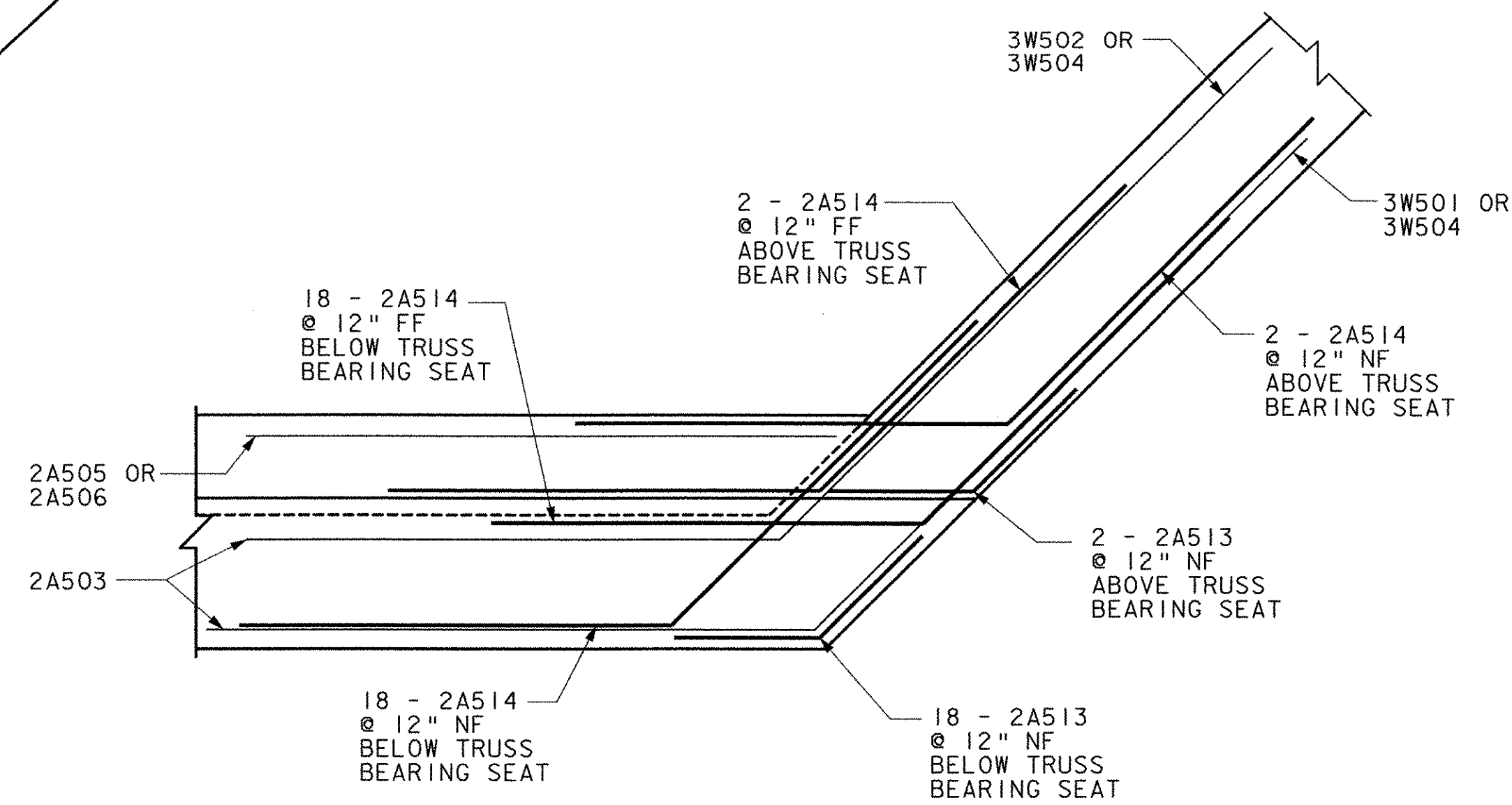
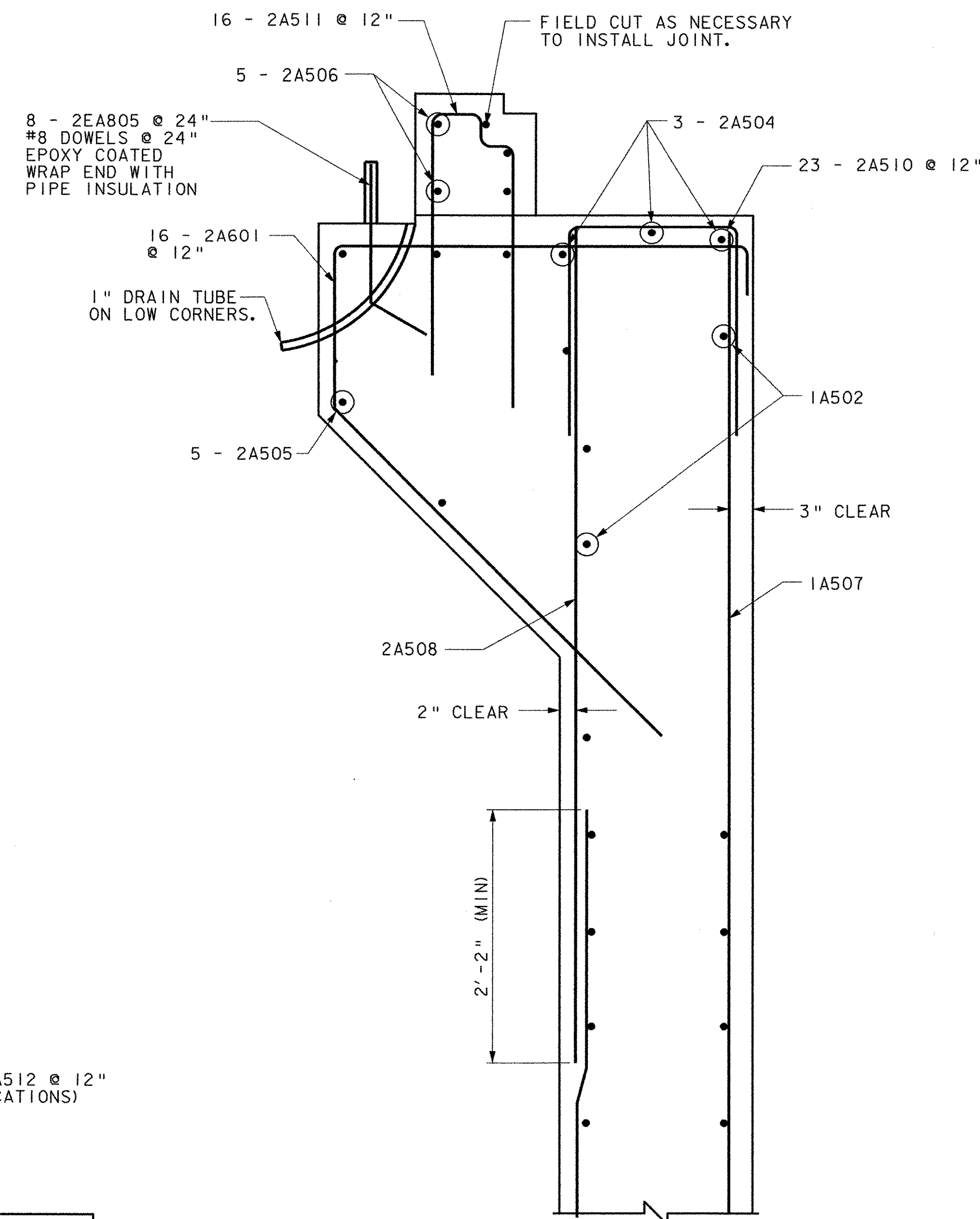


PLAN - ABUTMENT 2
SCALE: 1/4" = 1'-0"

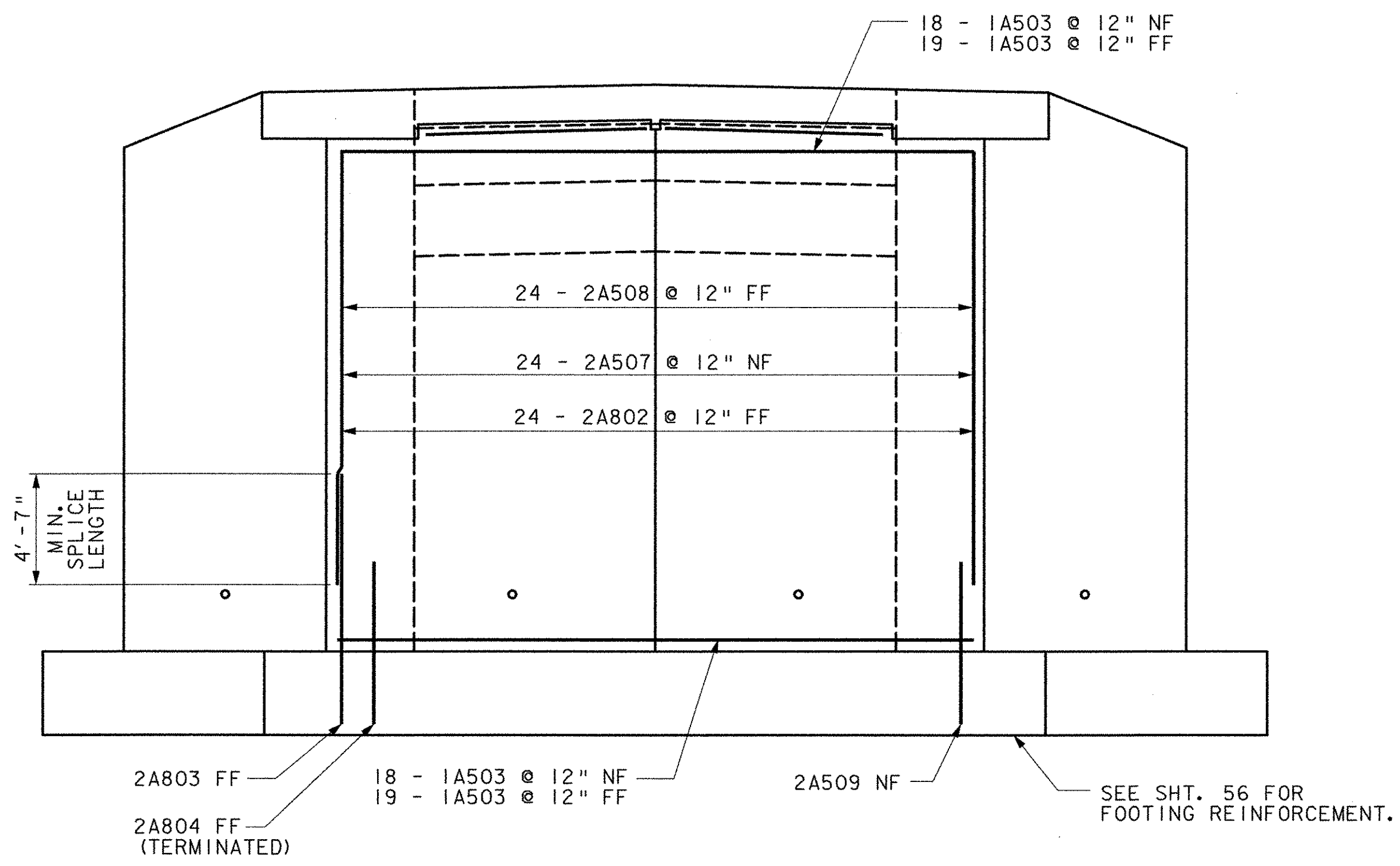
NOTES:
EF = EACH FACE
FF = FAR FACE
NF = NEAR FACE
BF = BACK FACE



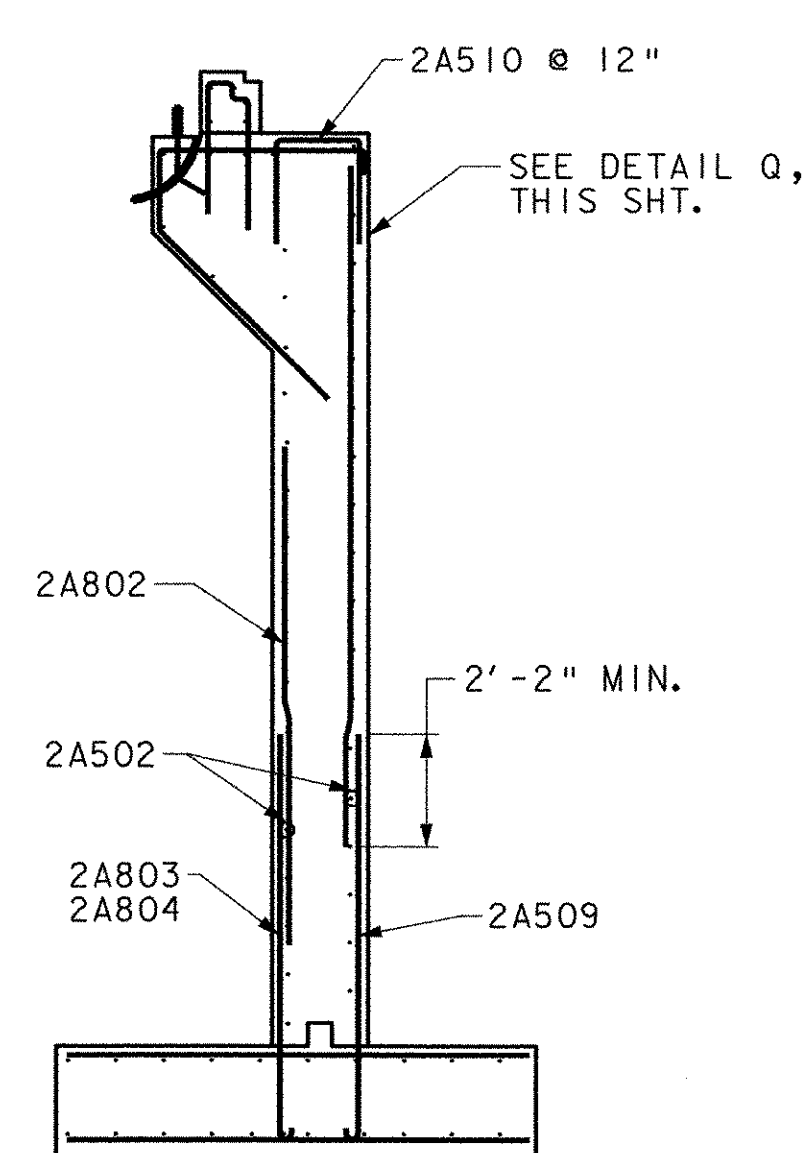
DETAIL R
CORNER REINFORCING
SCALE: 1/2" = 1'-0"



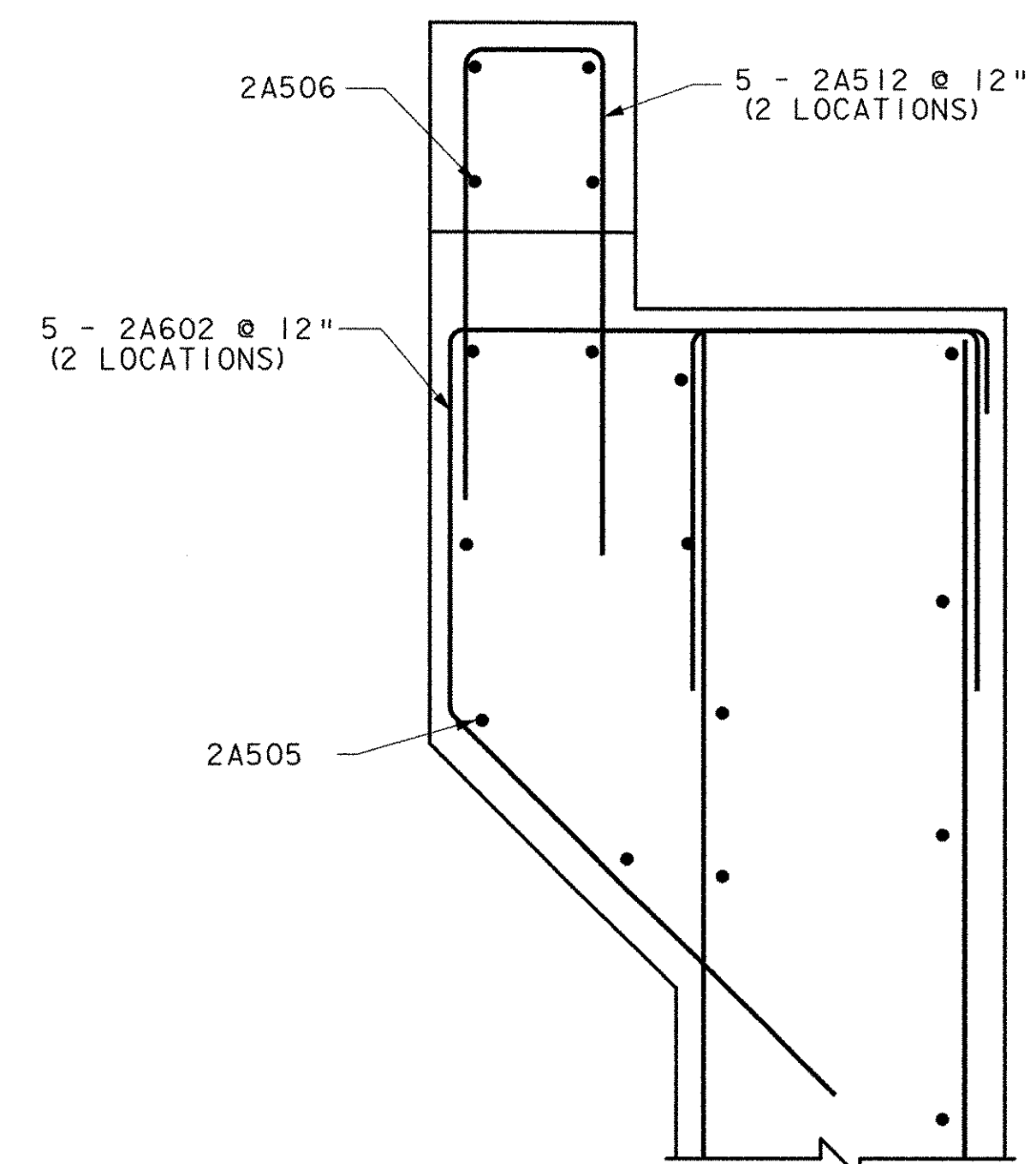
DETAIL Q
SCALE: 1" = 1'-0"



ELEVATION - ABUTMENT 2
SCALE: 1/4" = 1'-0"



SECTION FF-FF
SCALE: 1/4" = 1'-0"



SECTION GG-GG
SCALE: 1/4" = 1'-0"

STATE OF VERMONT		
AGENCY OF TRANSPORTATION		
Town Of MAIDSTONE, VT	STRATFORD, NH	Bridge No. 1
Highway No. MAIDSTONE STATE HWY		Log Sta.
		Surv. Sta.
ABUTMENT 2 REINFORCING DETAILS		
Designed By J. MESSIER	Drawn By C. DONOHUE	
Checked By Date	Bridge Design Supervisor	
D. B. SULLIVAN	08/01/03	Date
PROJECT MAIDSTONE-STRATFORD	PROJECT NO. BHO 1447 (24)	
I.G.C. Info.		
Bridge Sheet No.	Sheet 57 of 65	



12 AUG 2003 12:20:17A cadad.dgn 2e054r.sz.dgn