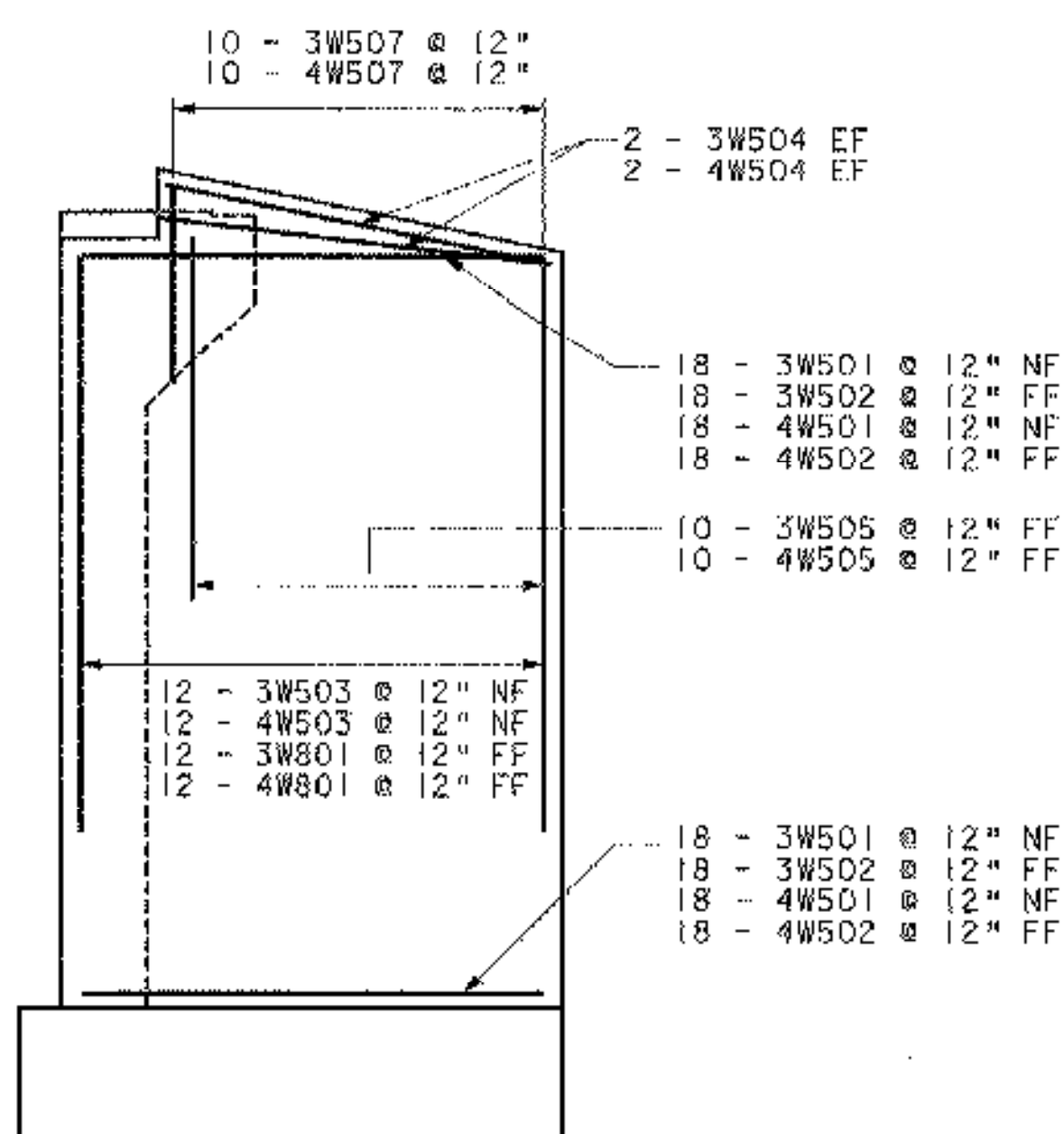


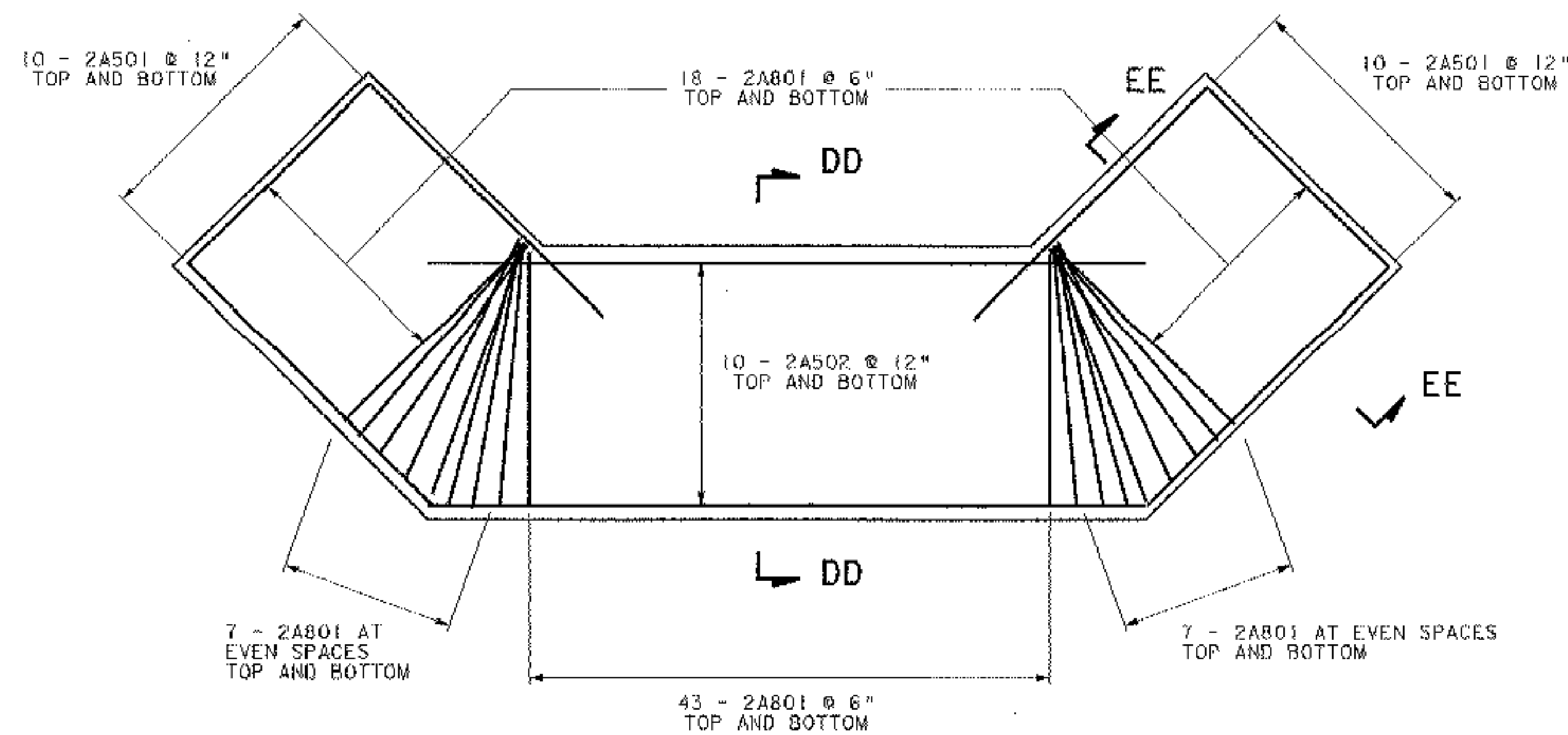
ELEVATION - ABUTMENT 1

SCALE: 1/4" = 1'-0"



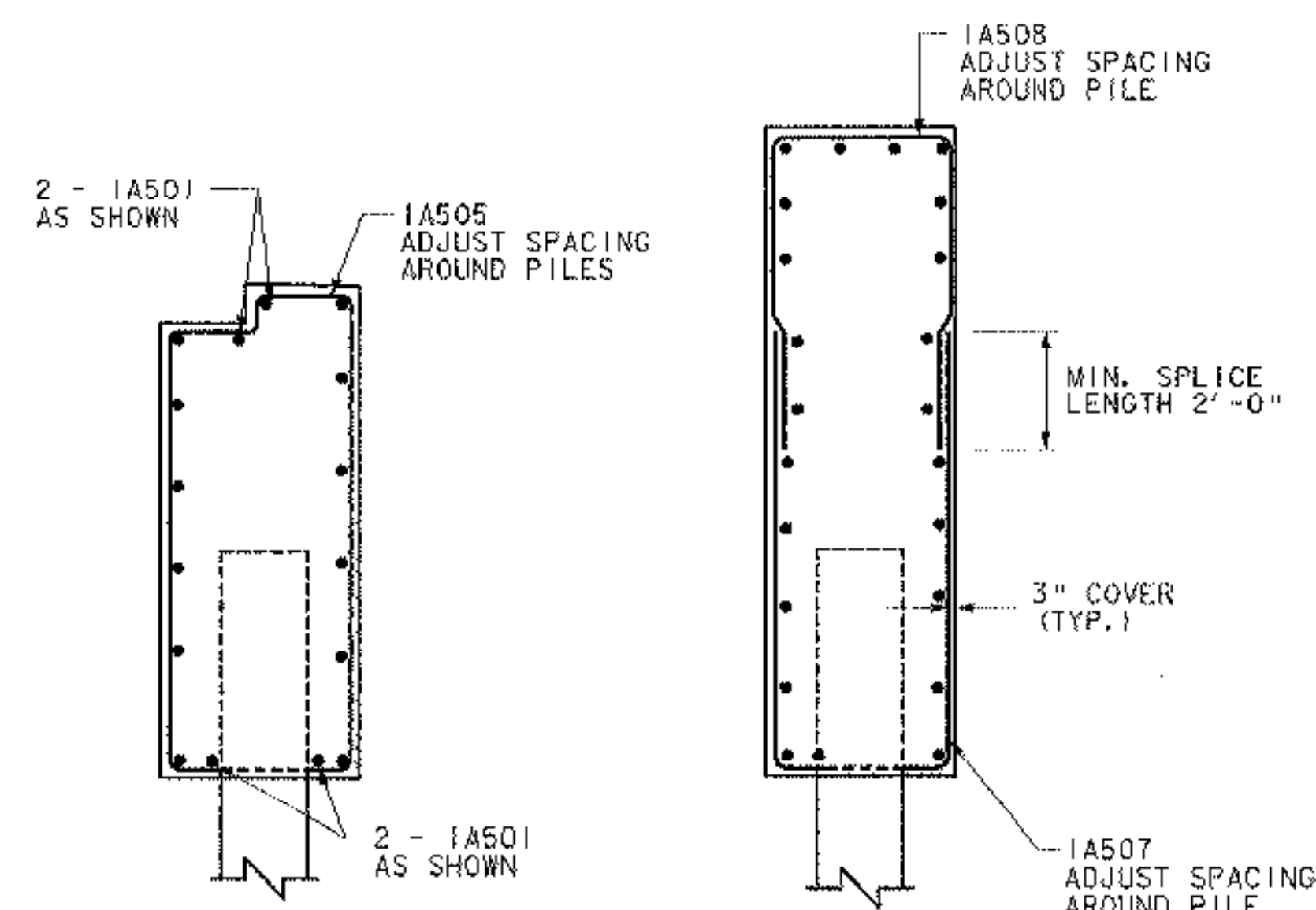
ELEVATION - WINGWALLS 3 & 4

SCALE: 1/4" = 1'-0"



PLAN FOOTING AT ABUTMENT 2

SCALE: 1/4" = 1'-0"



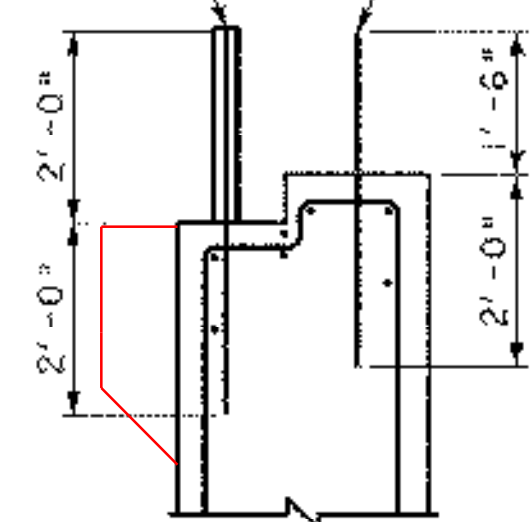
SECTION BB-BB

SCALE: 1/2" = 1'-0"

SECTION CC-CC

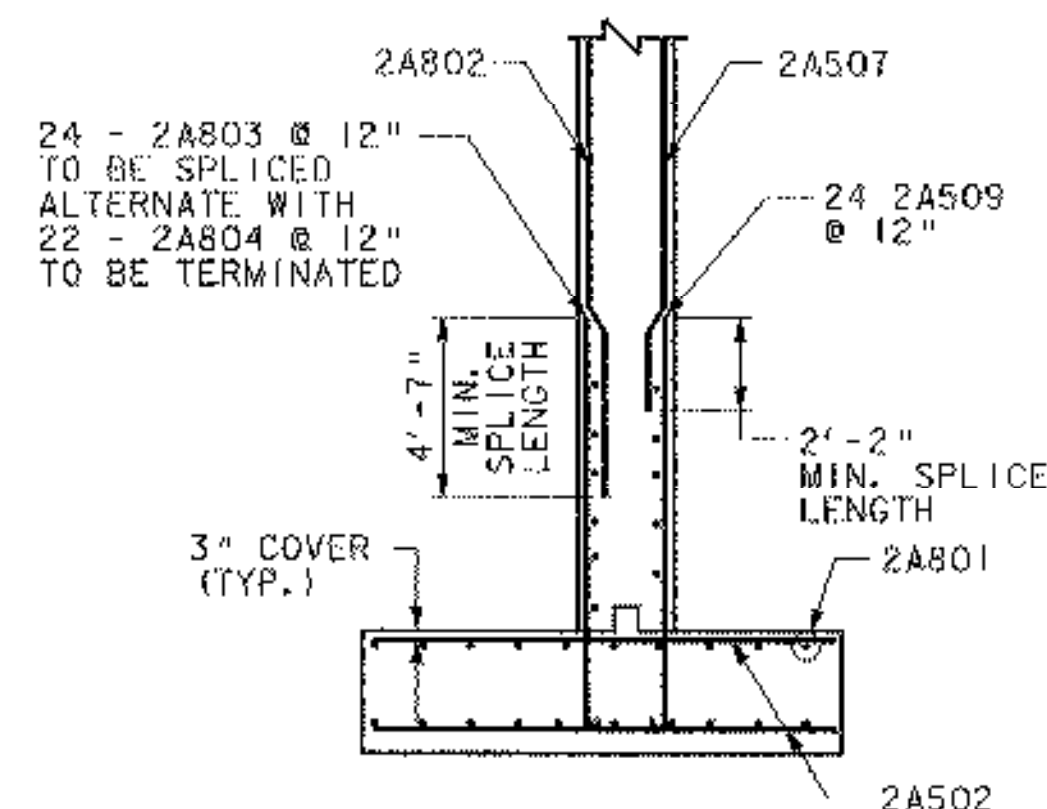
SCALE: 1/2" = 1'-0"

8 - 1EA801 @ 24" EPOXY COATED. WRAP END WITH PIPE INSULATION.
12 - 1EA802 FOR VOIDED SLAB ANCHORAGE



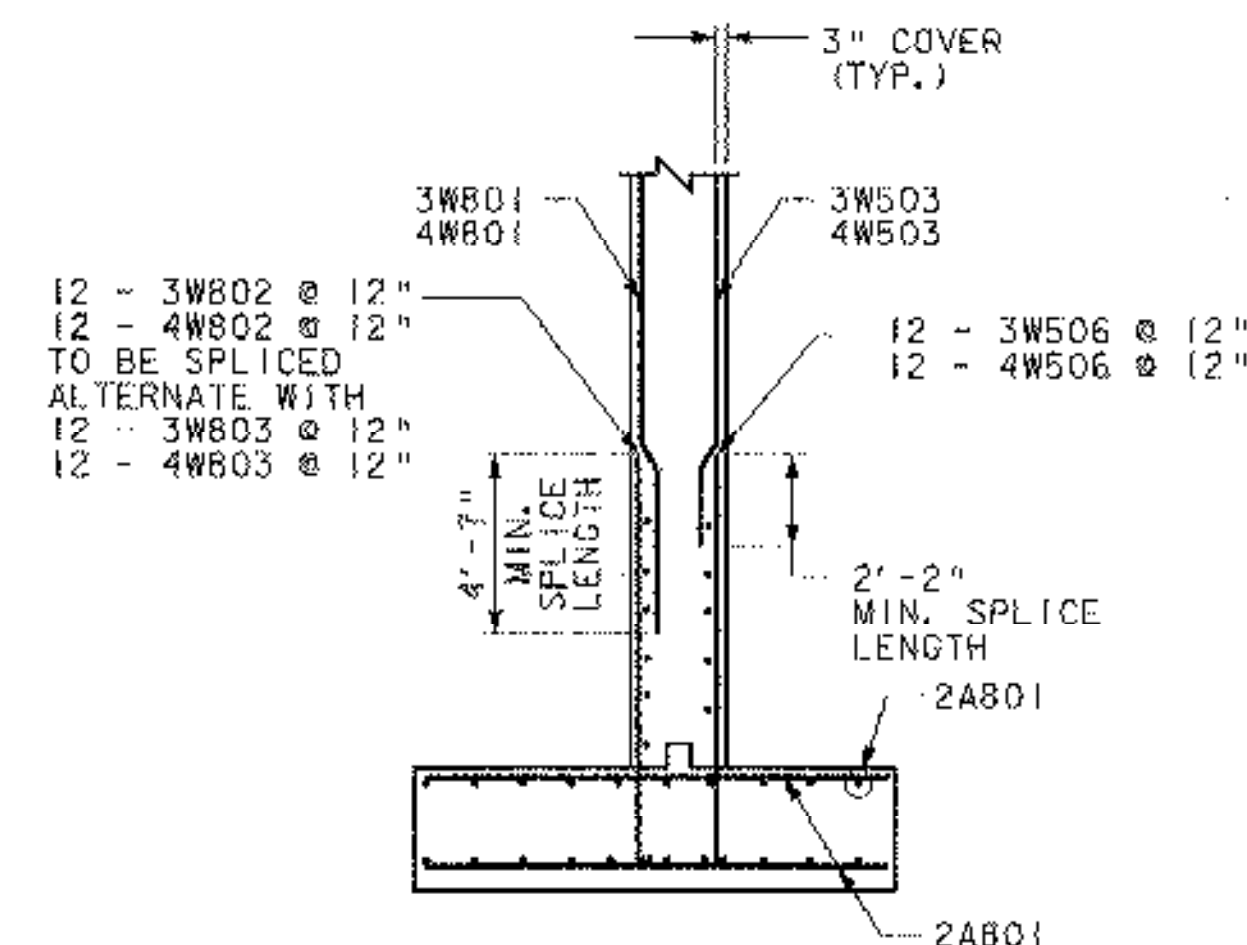
APPROACH SLAB 1 ANCHORAGE DETAIL

SCALE: 1/2" = 1'-0"



SECTION DD-DD

SCALE: 1/4" = 1'-0"



SECTION EE-EE

SCALE: 1/4" = 1'-0"

NOTES:

- EF = EACH FACE
- FF = FAR FACE
- NF = NEAR FACE
- BF = BACK FACE

STATE OF VERMONT AGENCY OF TRANSPORTATION

Town Of	MAIDSTONE, VT STRATFORD, NH	Bridge No.	1
Highway No.	MAIDSTONE STATE HWY	Log Sta.	
		Surv. Sta.	

ABUTMENTS 1 & 2 REINFORCING DETAILS

Designed By	J. MESSIER	Drawn By	C. DONOHUE
Checked By	D.B. SULLIVAN	Date	08/01/03
		Bridge Design Supervisor	

PROJECT	MAIDSTONE-STRATFORD	PROJECT NO.	BHO 1447 (24)
---------	---------------------	-------------	---------------

LG.C. Info.	
Bridge Sheet No.	Sheet 56 of 65