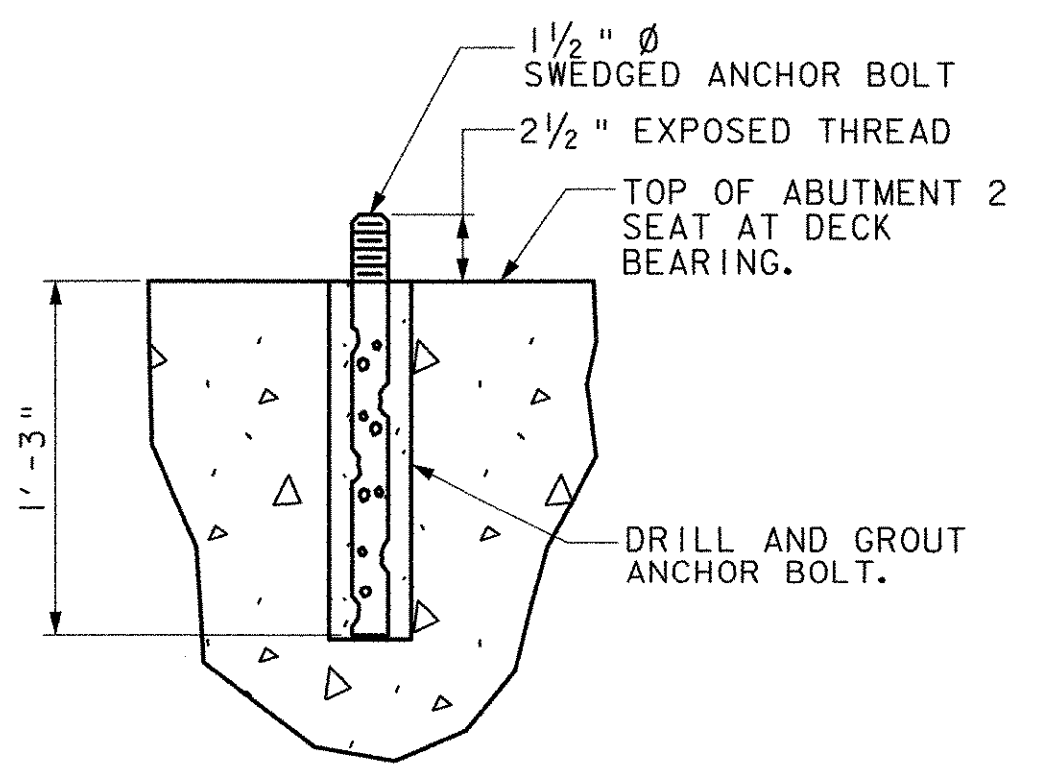
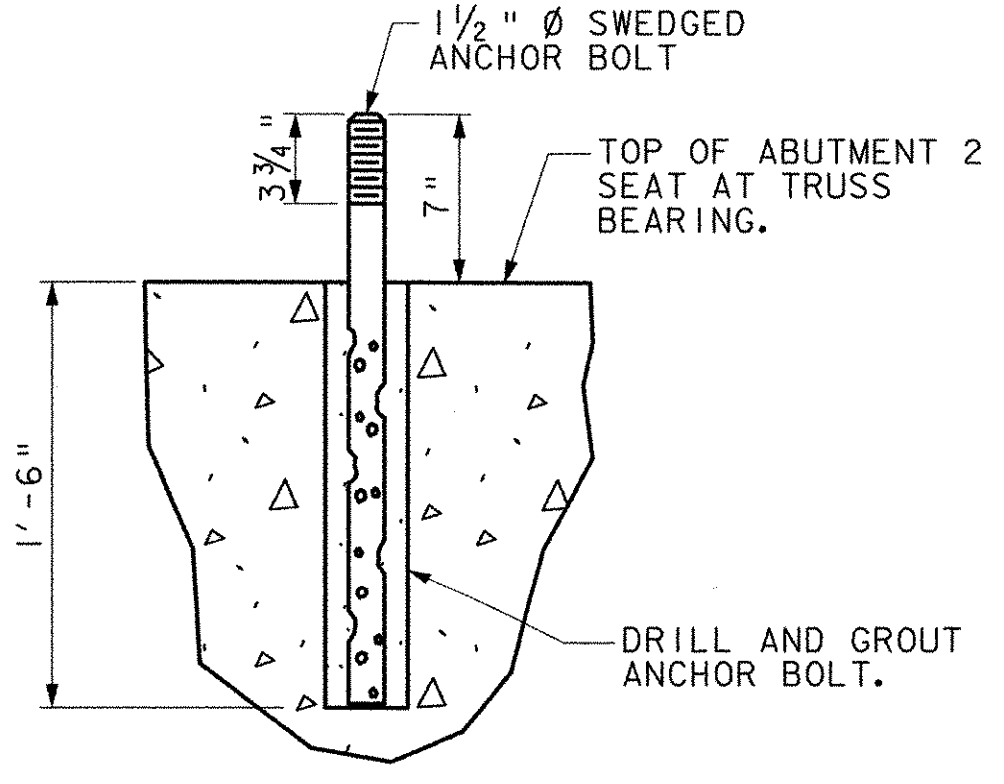


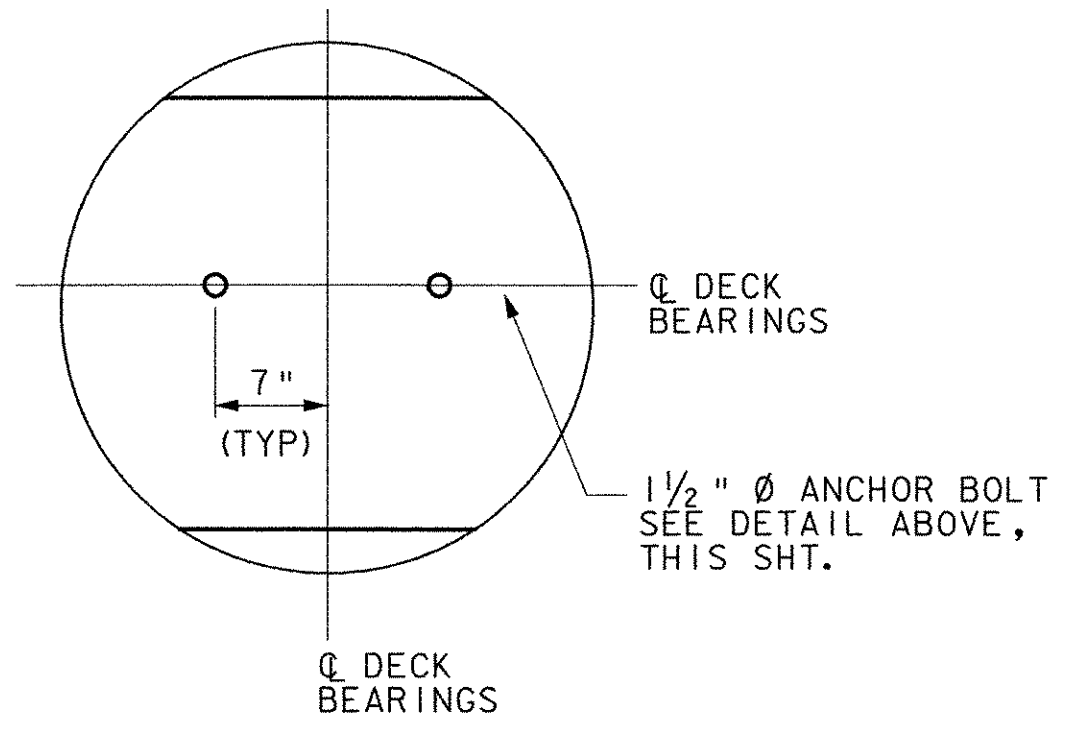
PLAN - ABUTMENT 2
SCALE: 1/4" = 1'-0"



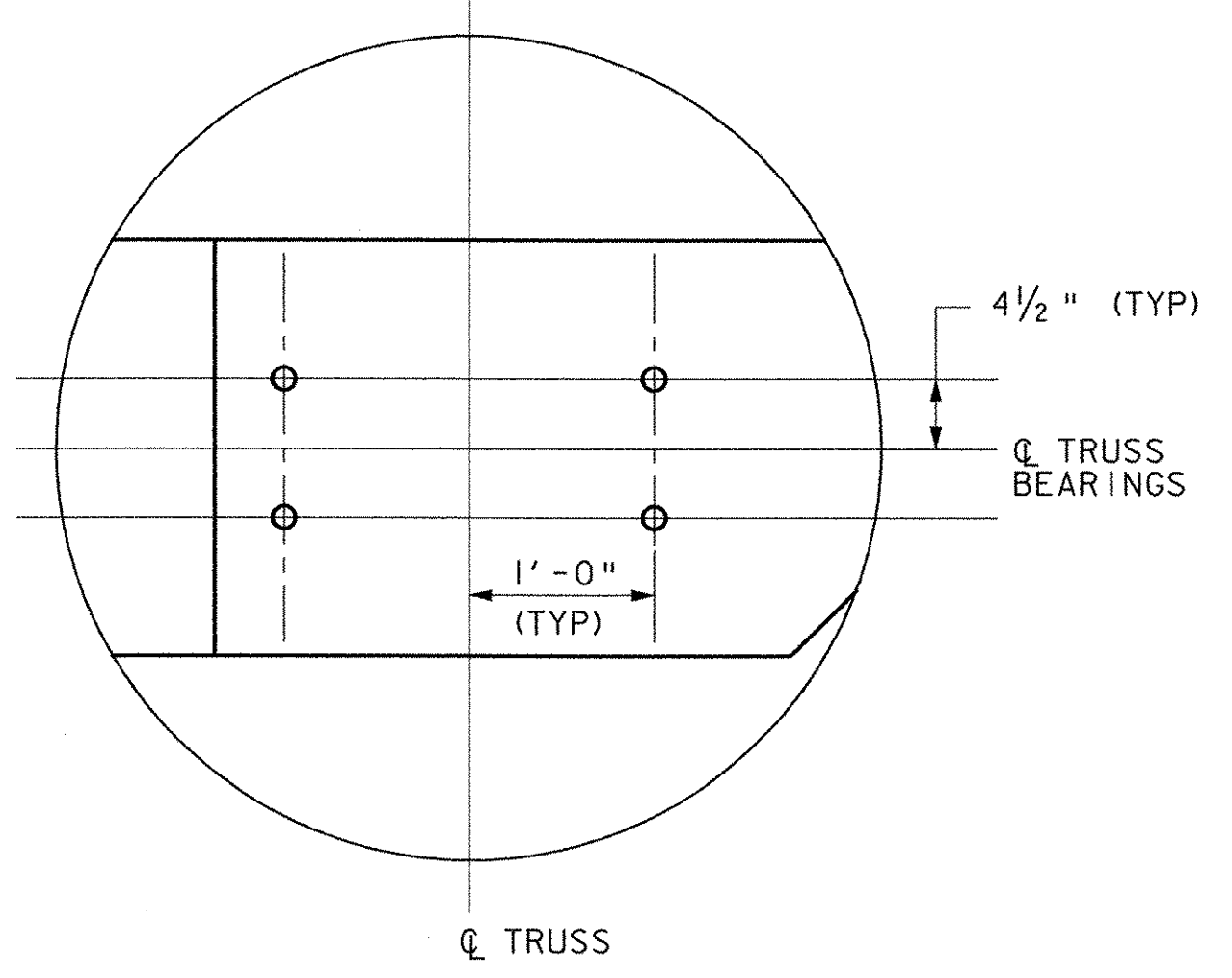
DECK EXPANSION BEARING ANCHOR BOLT SETTING
SCALE: 1/2" = 1'-0"



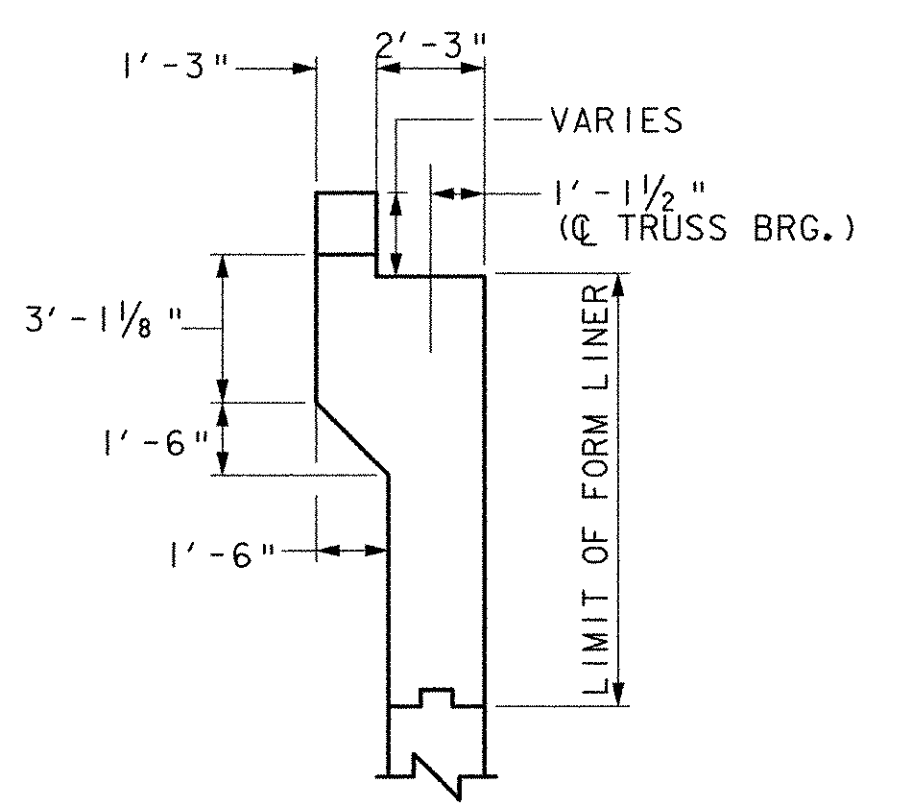
TRUSS EXPANSION BEARING ANCHOR BOLT SETTING
SCALE: 1/2" = 1'-0"



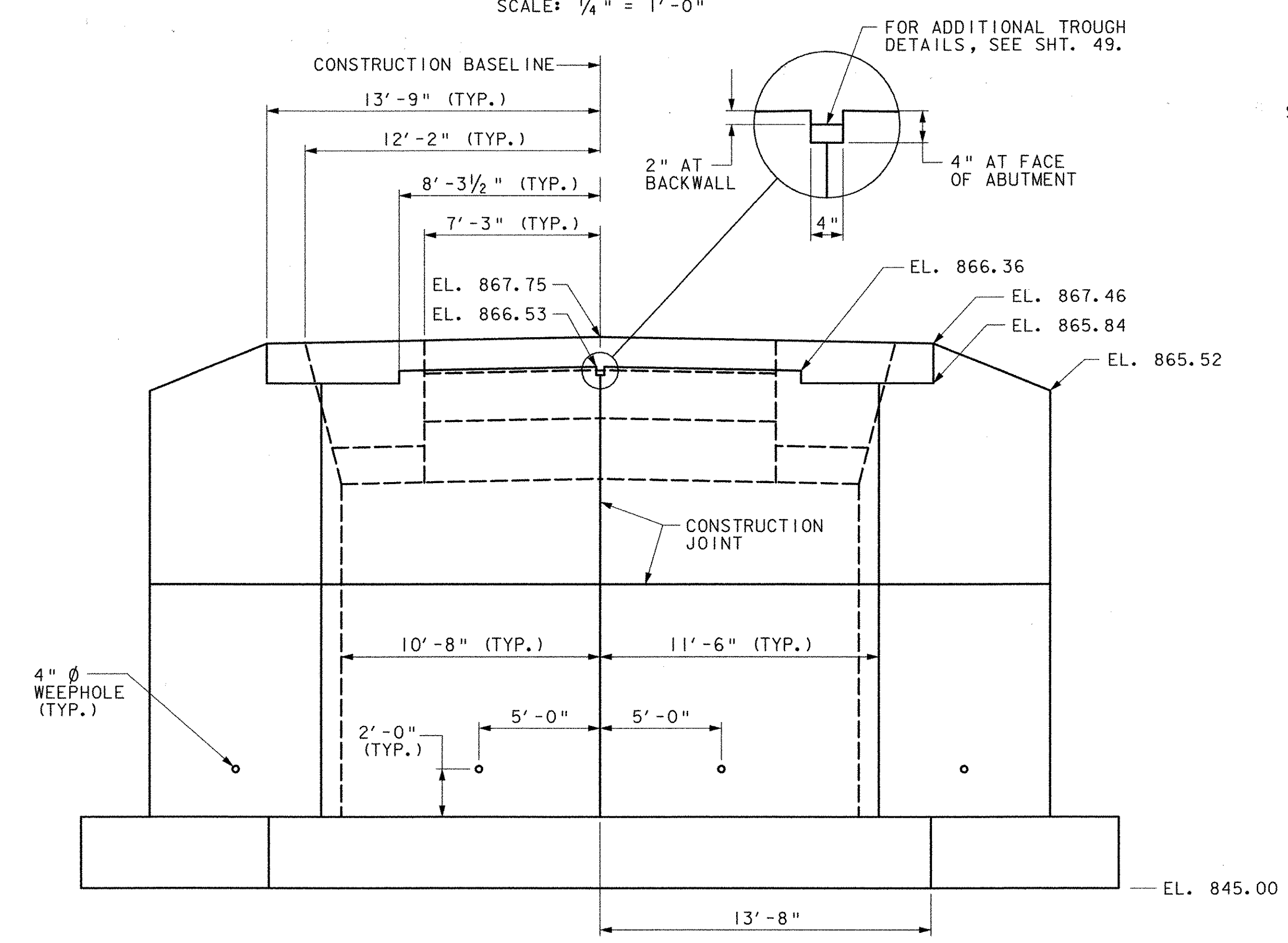
DETAIL M
SCALE: 1" = 1'-0"



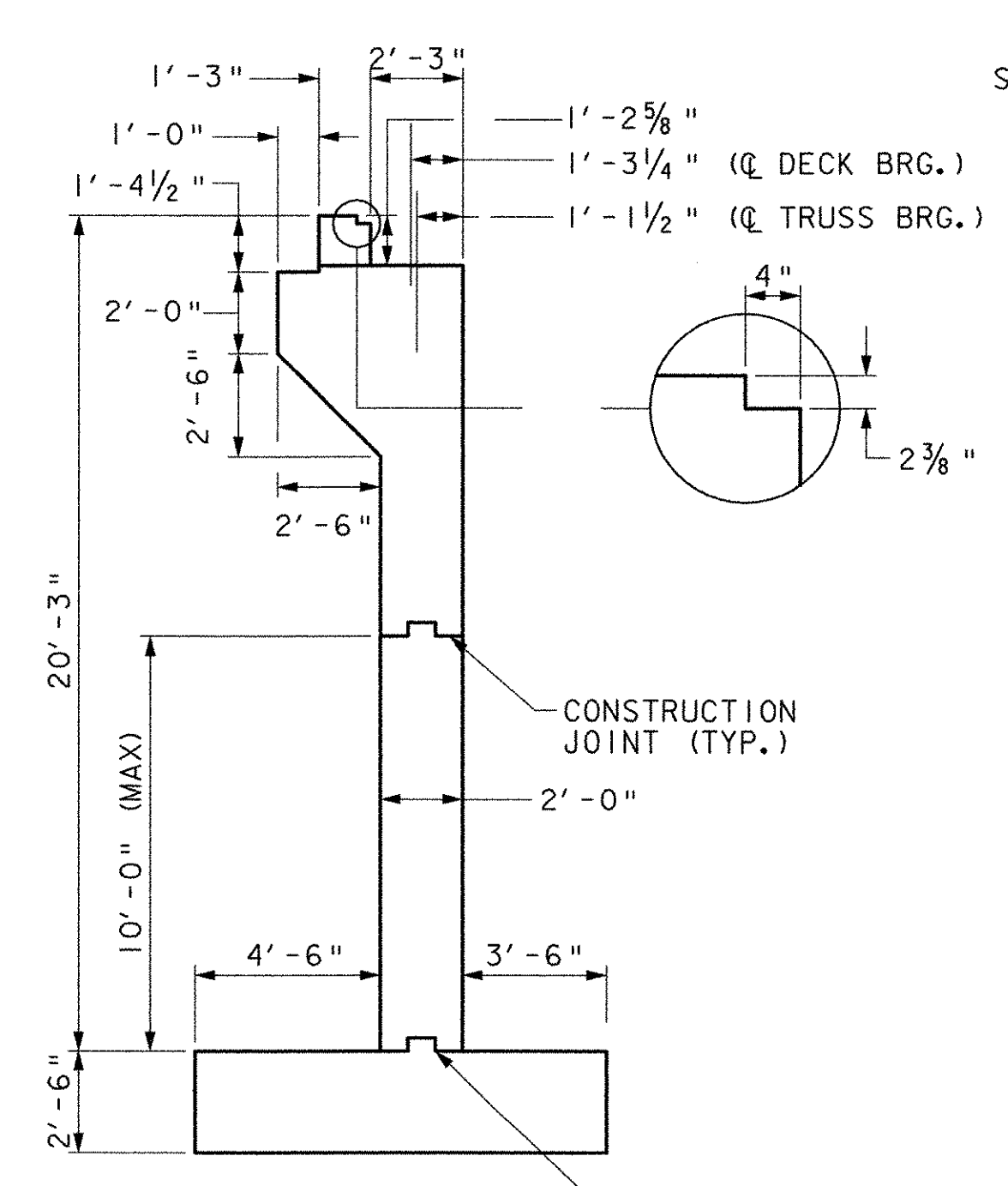
DETAIL N
SCALE: 1" = 1'-0"



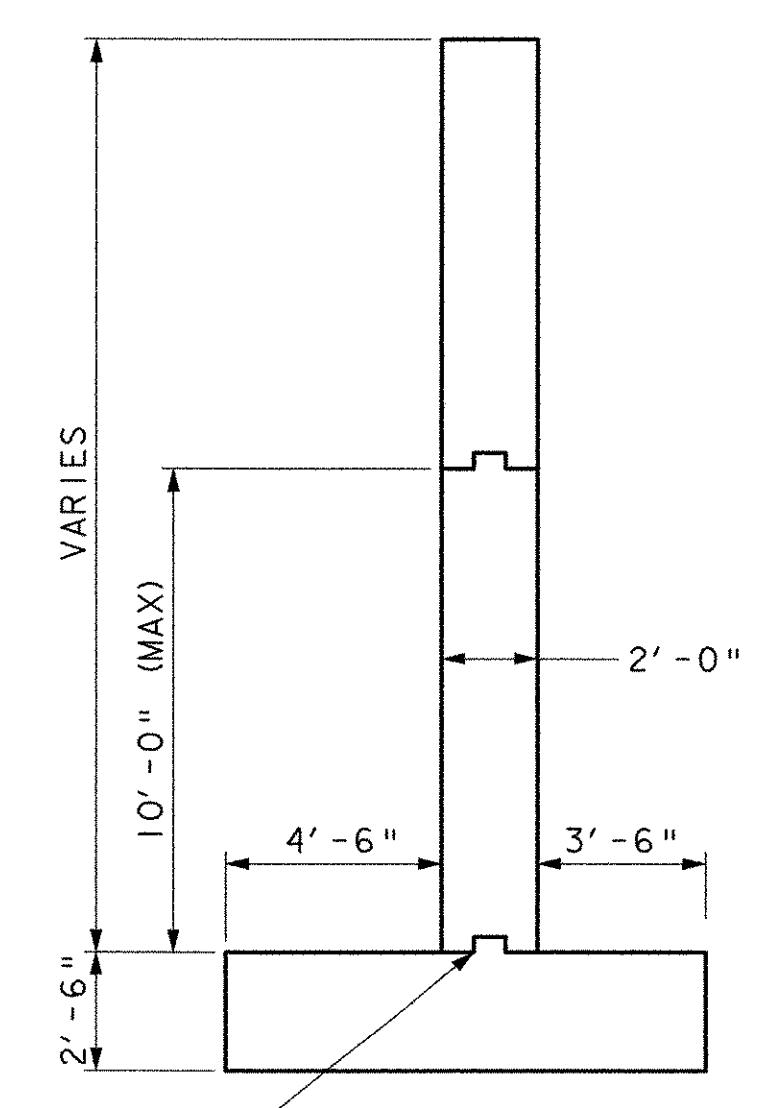
SECTION Z-Z
SCALE: 1/4" = 1'-0"



ELEVATION - ABUTMENT 2
SCALE: 1/4" = 1'-0"



SECTION X-X
SCALE: 1/4" = 1'-0"



SECTION Y-Y
SCALE: 1/4" = 1'-0"

- NOTES**
- FOR REINFORCEMENT DETAILS, SEE SHTS. 56, 57, 59 & 60.
 - ANCHOR BOLTS AND ALL WORK AND MATERIALS TO INSTALL THE ANCHOR BOLTS SHALL BE CONSIDERED SUBSIDIARY TO ITEM 531.10 BEARING DEVICE ASSEMBLY, (TRUSS BEARING) AND ITEM 531.10 BEARING ASSEMBLY DEVICE, (DECK EXPANSION BEARING). THE BOLTS SHALL CONFORM TO ALL APPLICABLE MATERIAL SPECIFICATIONS AND PROPERTIES EXCEPT THAT THE ANCHOR BOLTS SHALL CONFORM TO AASHTO M270M/M270 A36.
 - SEE SHT. 54 FOR TYPICAL CONCRETE CONSTRUCTION JOINT.

STATE OF VERMONT AGENCY OF TRANSPORTATION		
Town Of	MAIDSTONE, VT STRATFORD, NH	Bridge No. 1
Highway No.	MAIDSTONE STATE HWY	Log Sta. Surv. Sta.
ABUTMENT 2 DETAILS		
Designed By	J. MESSIER	Drawn By C. DONOHUE
Checked By	Date	Bridge Design Supervisor
D.B. SULLIVAN	08/01/03	Date
PROJECT	MAIDSTONE-STRATFORD	PROJECT NO. BHO 1447 (24)
I.G.C. Info.		
Bridge Sheet No.		Sheet 55 of 65



2 AUG 2003 p:\2071\accad\cgm\2e054a92.dgn