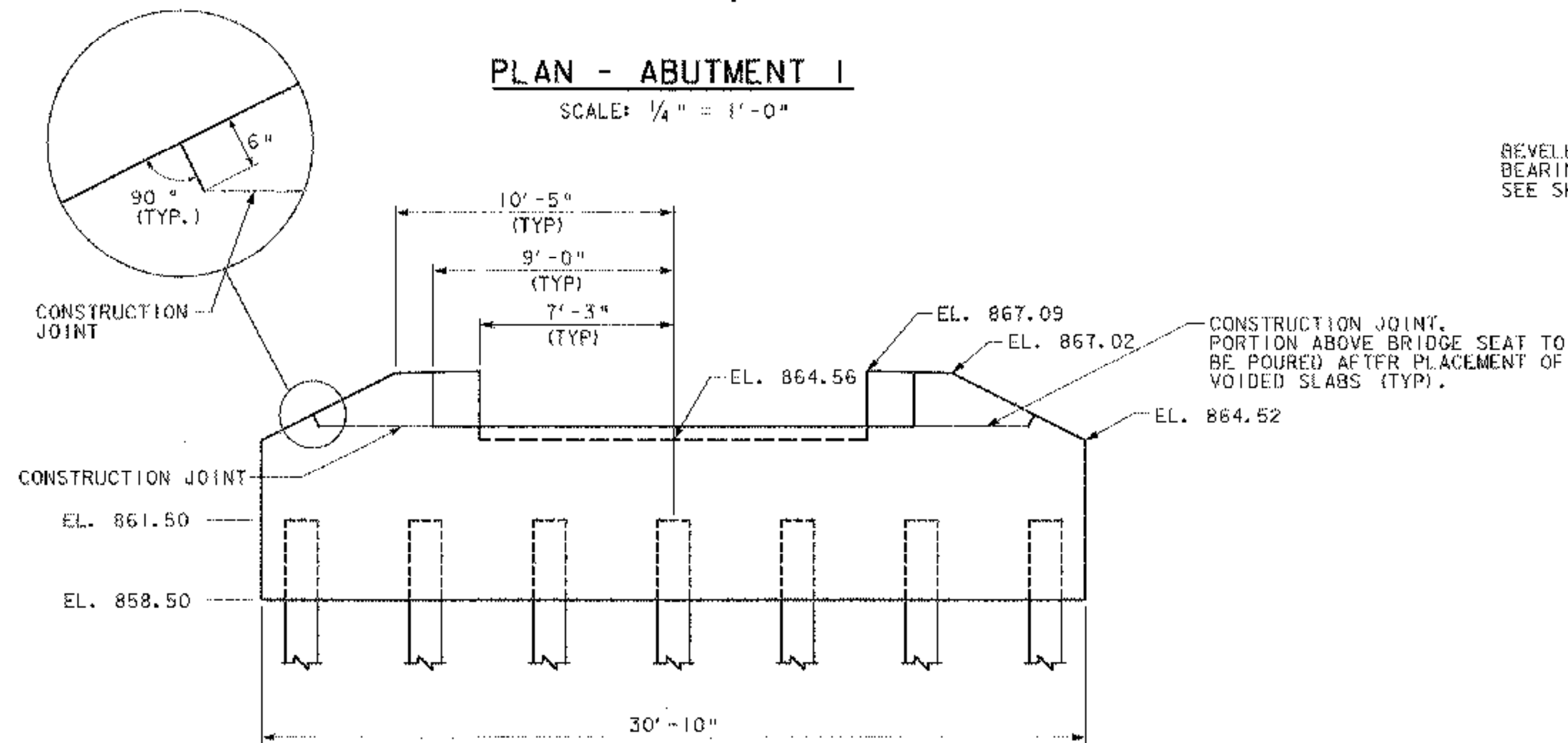


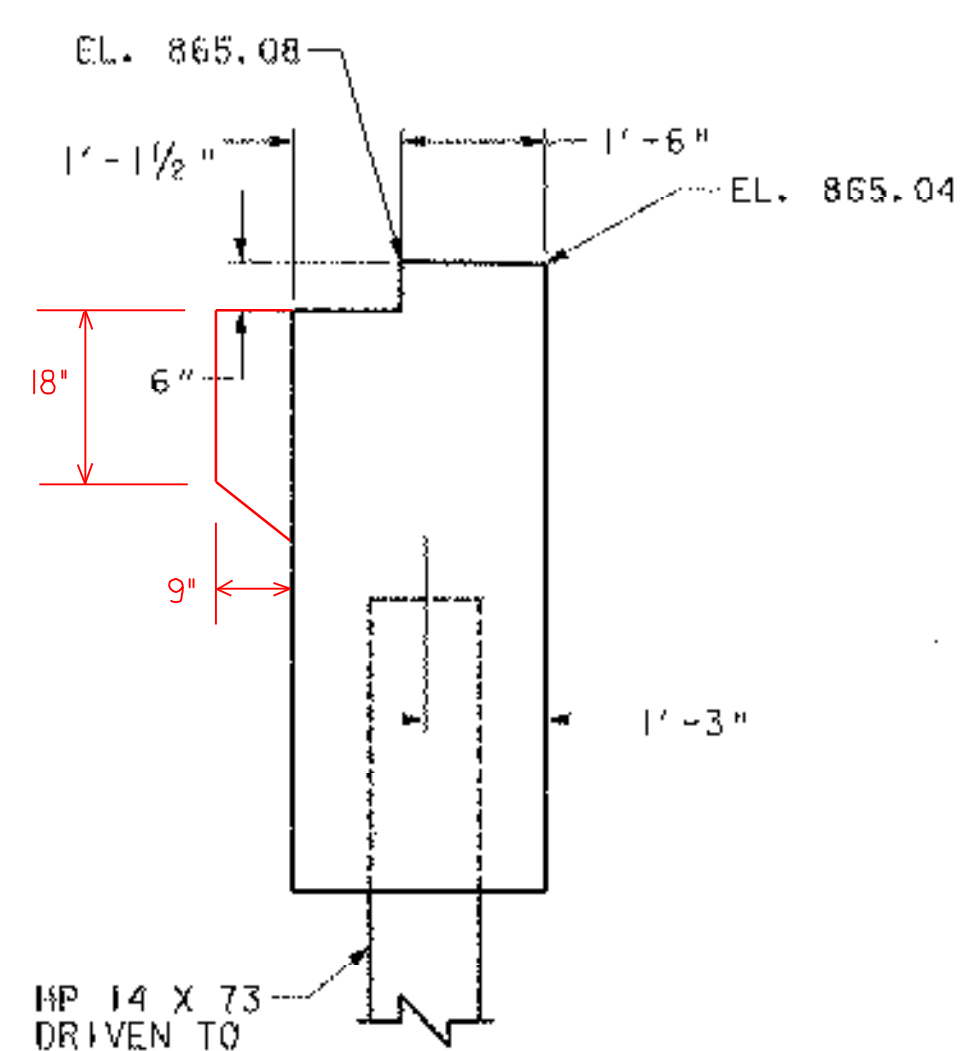
**PLAN - ABUTMENT I**

SCALE: 1/4" = 1'-0"



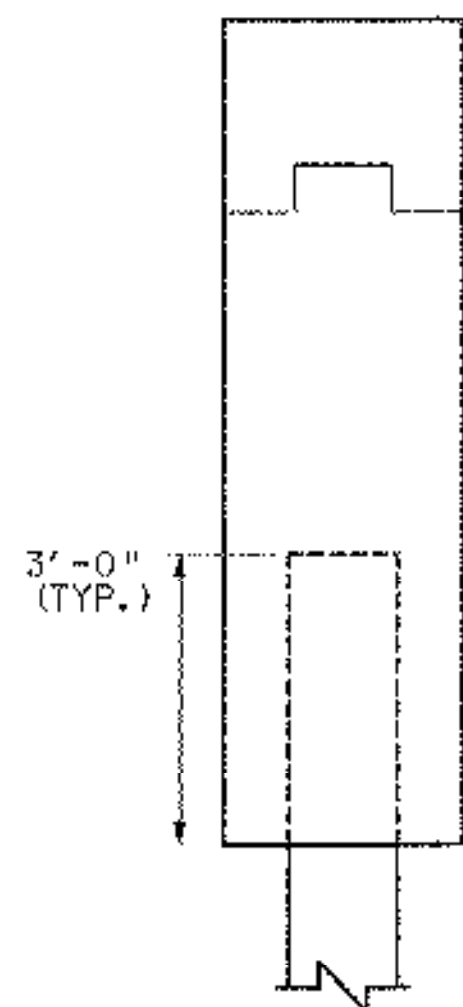
**ELEVATION - ABUTMENT I**

SCALE: 1/4" = 1'-0"



**SECTION V-V**

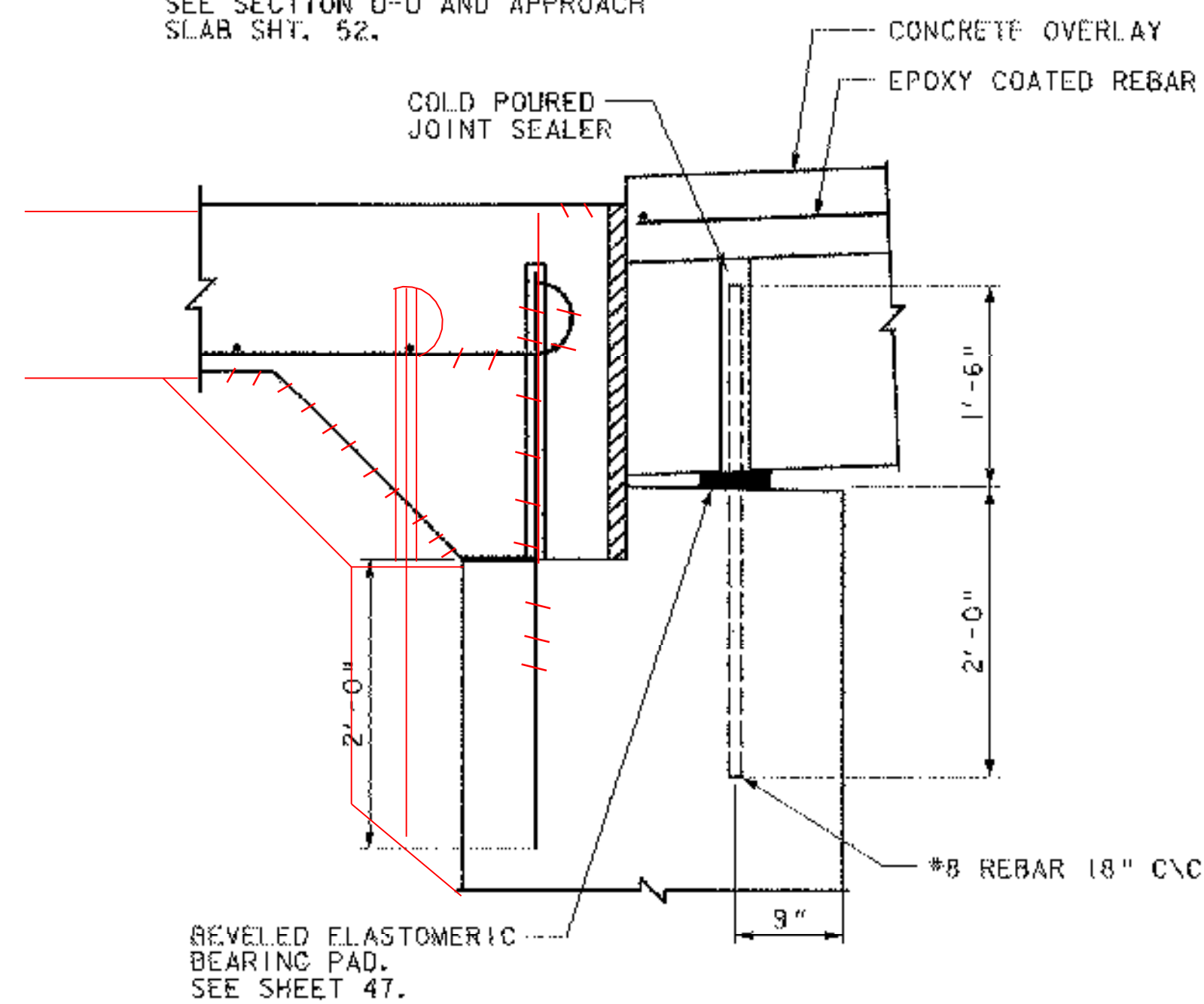
SCALE: 1/2" = 1'-0"



**SECTION W-W**

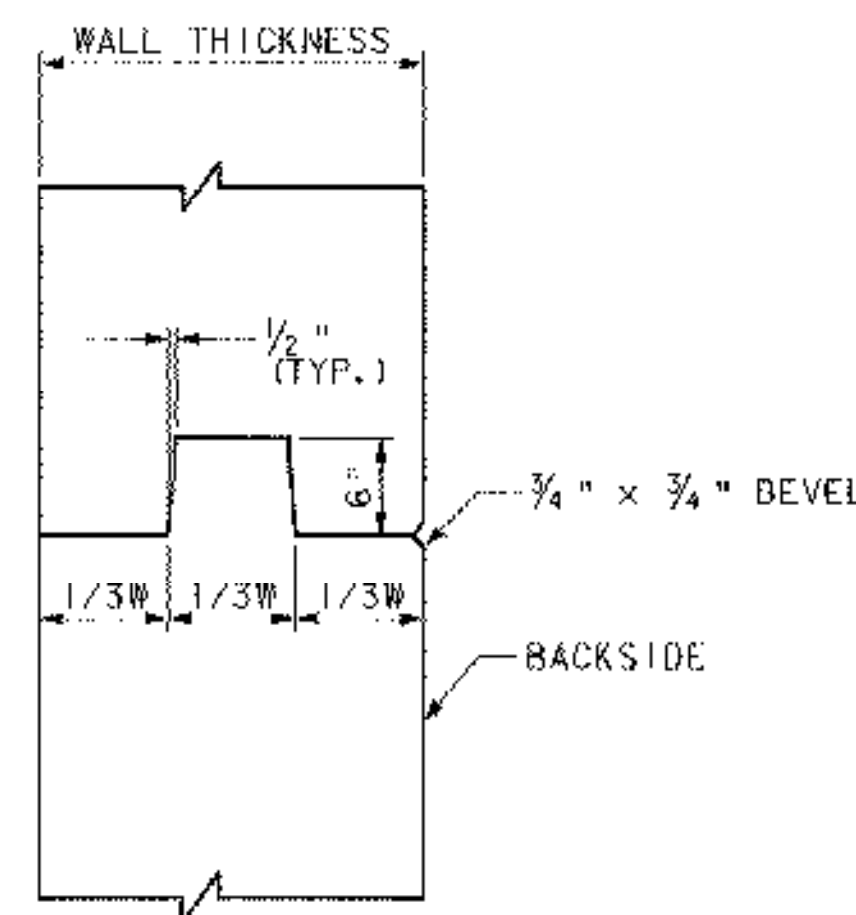
SCALE: 1/2" = 1'-0"

FOR DETAILS OF FIXED JOINT, SEE SECTION U-U AND APPROACH SLAB SHY. 52.



**VOIDED SLAB ANCHORAGE DETAILS AT ABUTMENT I**

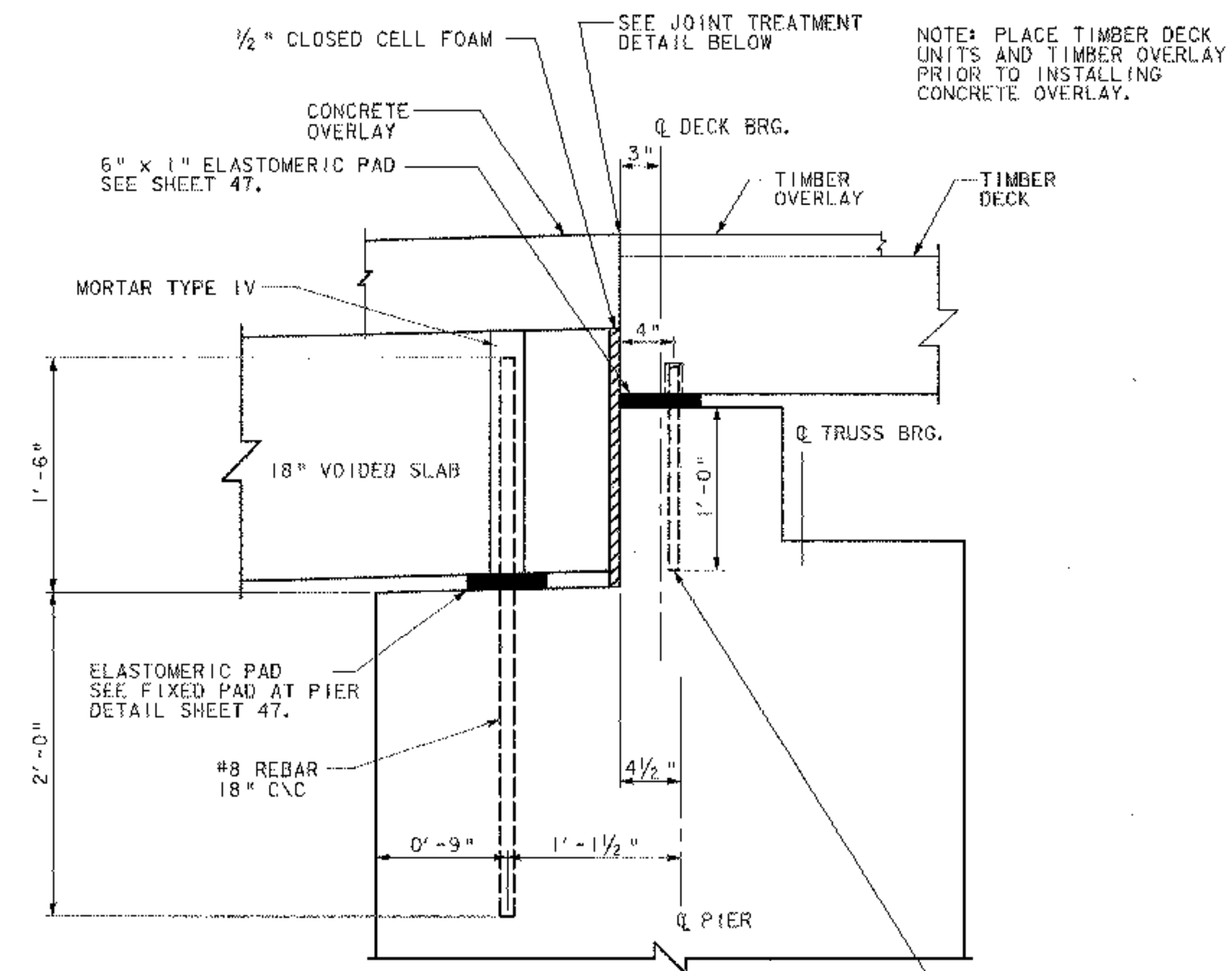
SCALE: 1" = 1'-0"



**TYPICAL CONCRETE CONSTRUCTION JOINT**

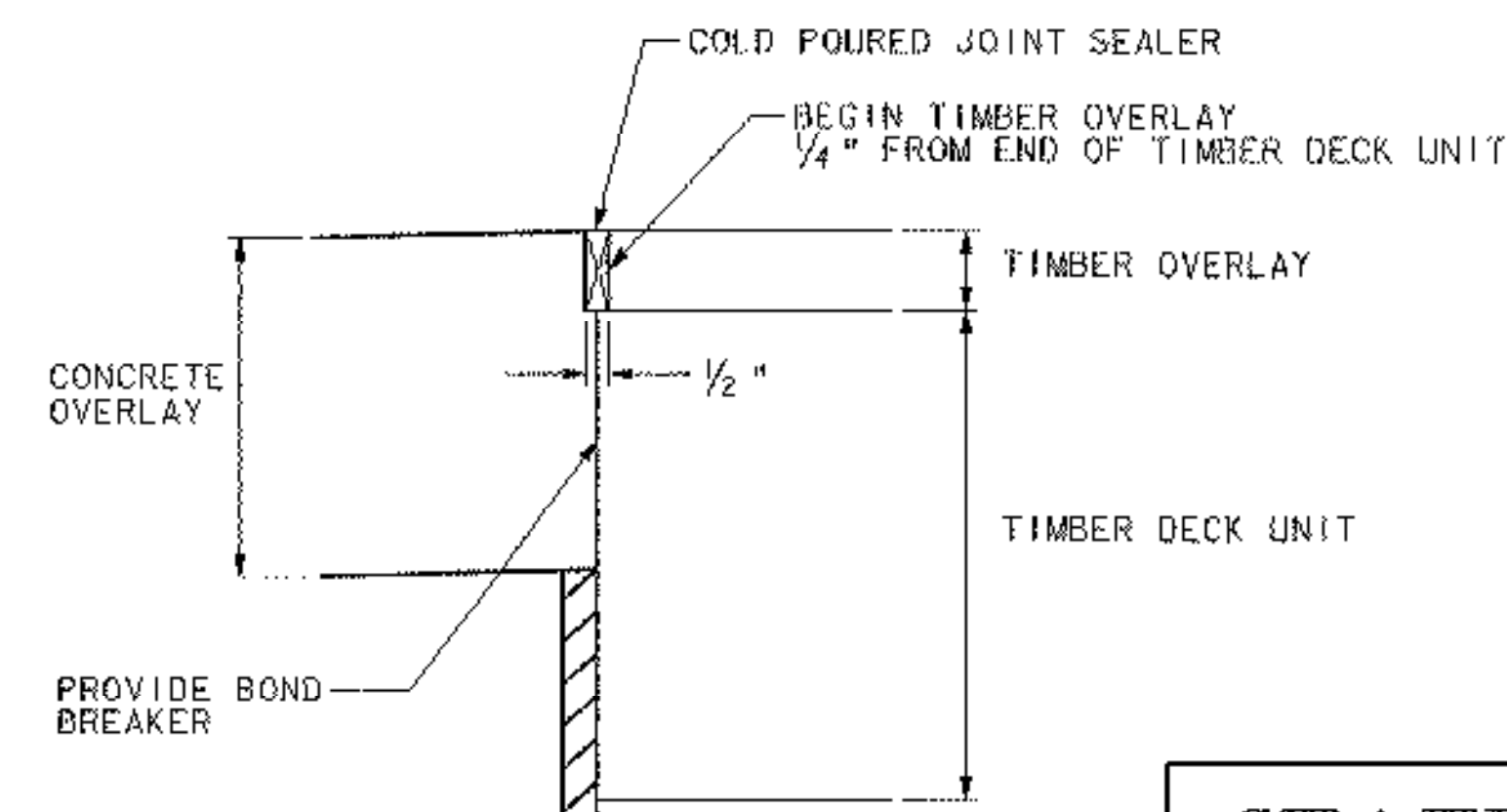
N. T. S.

- PILE NOTES:**
1. THE CONTRACTOR SHALL PERFORM A DYNAMIC LOAD TEST ON THE FIRST PILE DRIVEN. THIS TEST SHALL BE IN CONFORMANCE WITH SECTION 505 OF THE VTRANS STANDARD SPECIFICATIONS. THE TEST WILL BE PAID FOR UNDER ITEM NO. 505.45 DYNAMIC PILE LOADING TEST.
  2. THE ULTIMATE PILE RESISTANCE IS 200 KIPS.
  3. TOP OF PILE EL. 861.50
  4. APPROXIMATE TOP OF ROCK EL. 786.0
  5. FOR SPLICE DETAIL SEE SHY. 49.



**FIXED JOINT AT PIER**

SCALE: 1/2" = 1'-0"



**JOINT TREATMENT DETAIL**

SCALE: 3" = 1'

NOTE: PLACE TIMBER DECK UNITS AND TIMBER OVERLAY PRIOR TO INSTALLING CONCRETE OVERLAY.

**STATE OF VERMONT AGENCY OF TRANSPORTATION**

Town Of	MAIDSTONE, VT	Bridge No.	1
Highway No.	MAIDSTONE STATE HWY	Log Sta.	
		Surv. Sta.	

**ABUTMENT I DETAILS**

Designed By	J. MESSIER	Drawn By	C. DONOHUE
Checked By	Date	Bridge Design Supervisor	Date
D.B. SULLIVAN	08/01/03		
PROJECT	MAIDSTONE-STRATFORD	PROJECT NO.	BHO 1447 (24)
I.G.C. Info.		Bridge Sheet No.	Sheet 54 of 65



12 AUG 2003 10:00am vjg/z64848.dgn