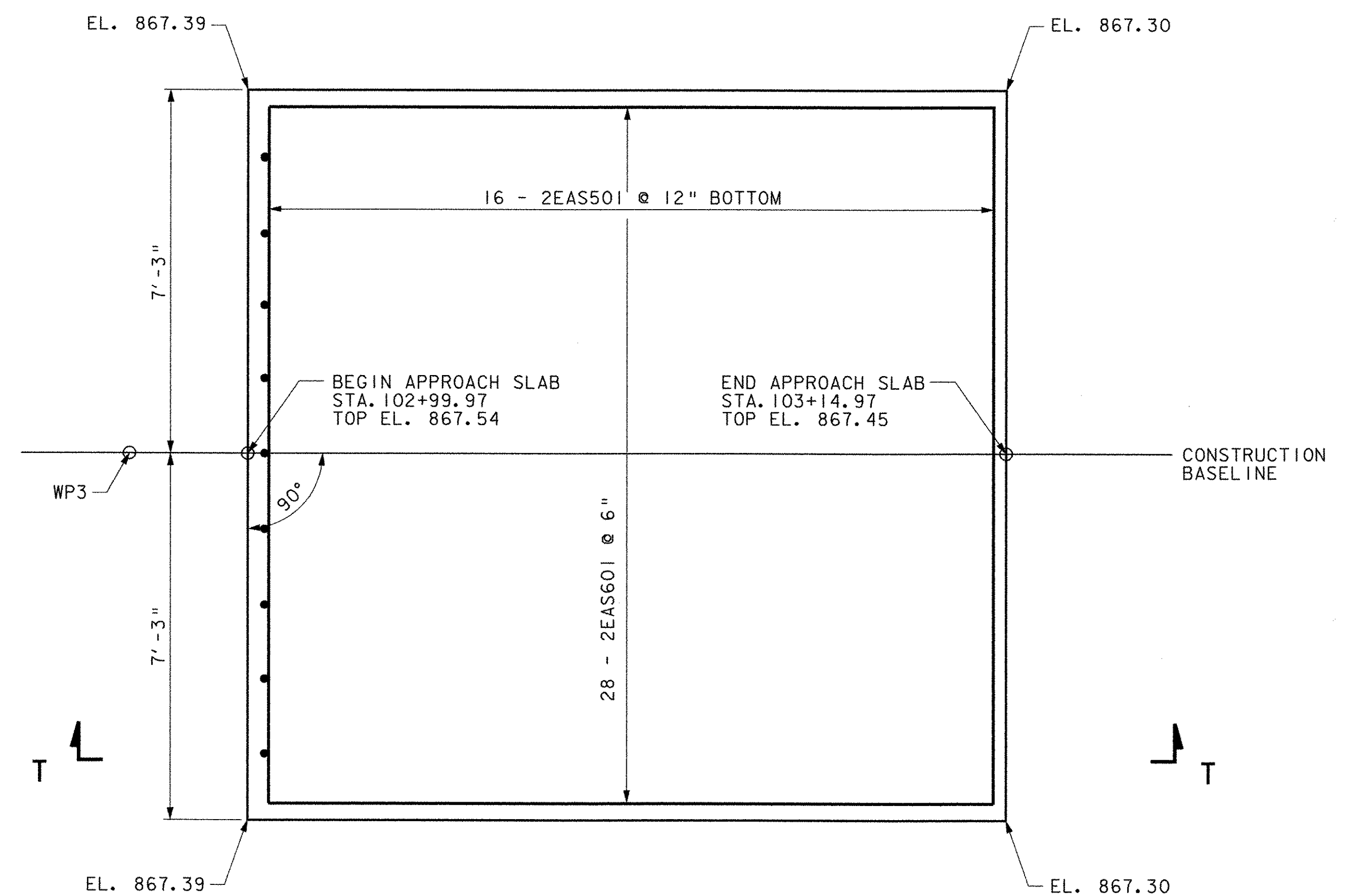


APPROACH SLAB NO. 1 PLAN

SCALE: 1/2" = 1'-0"

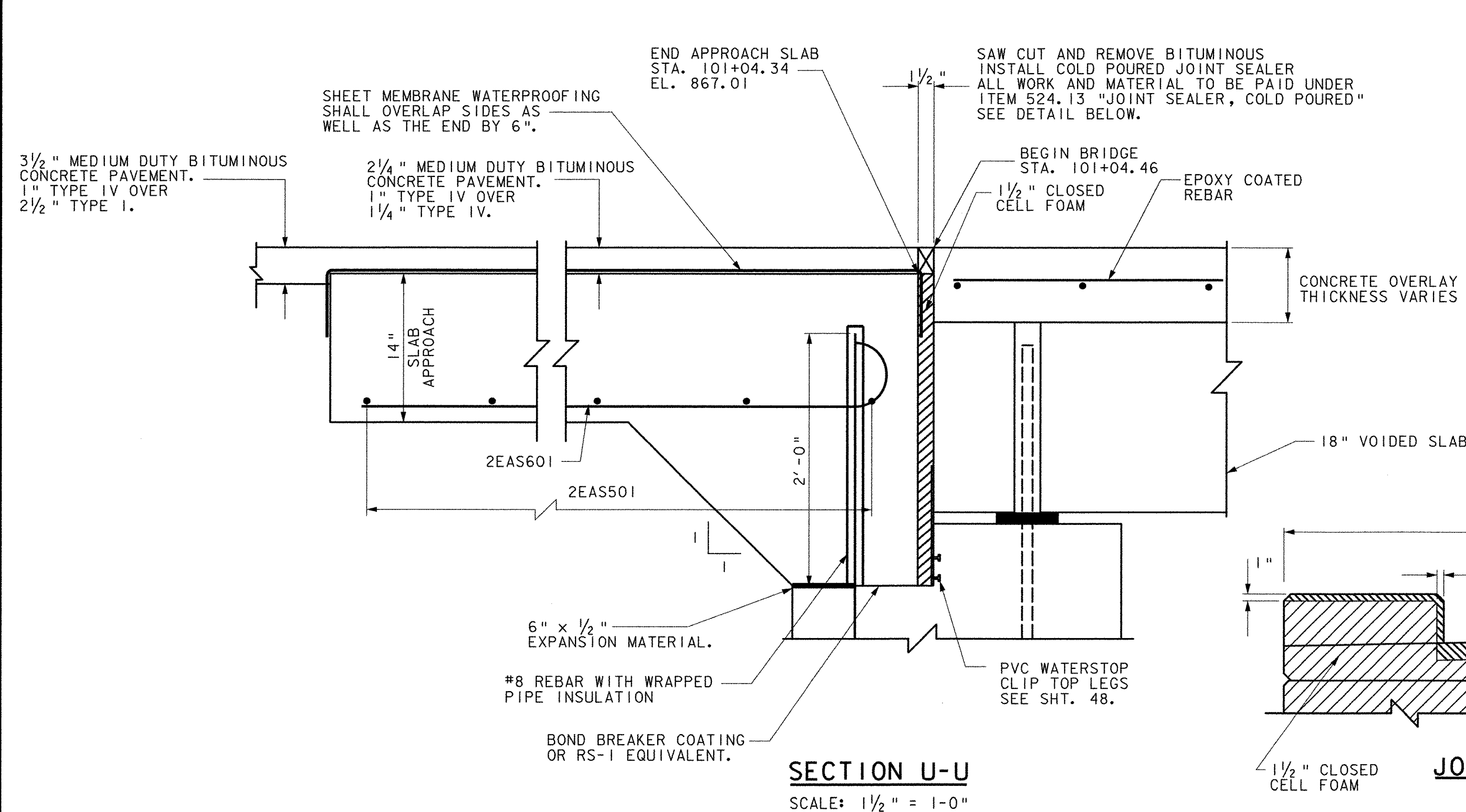


APPROACH SLAB NO. 2 PLAN

SCALE: 1/2" = 1'-0"

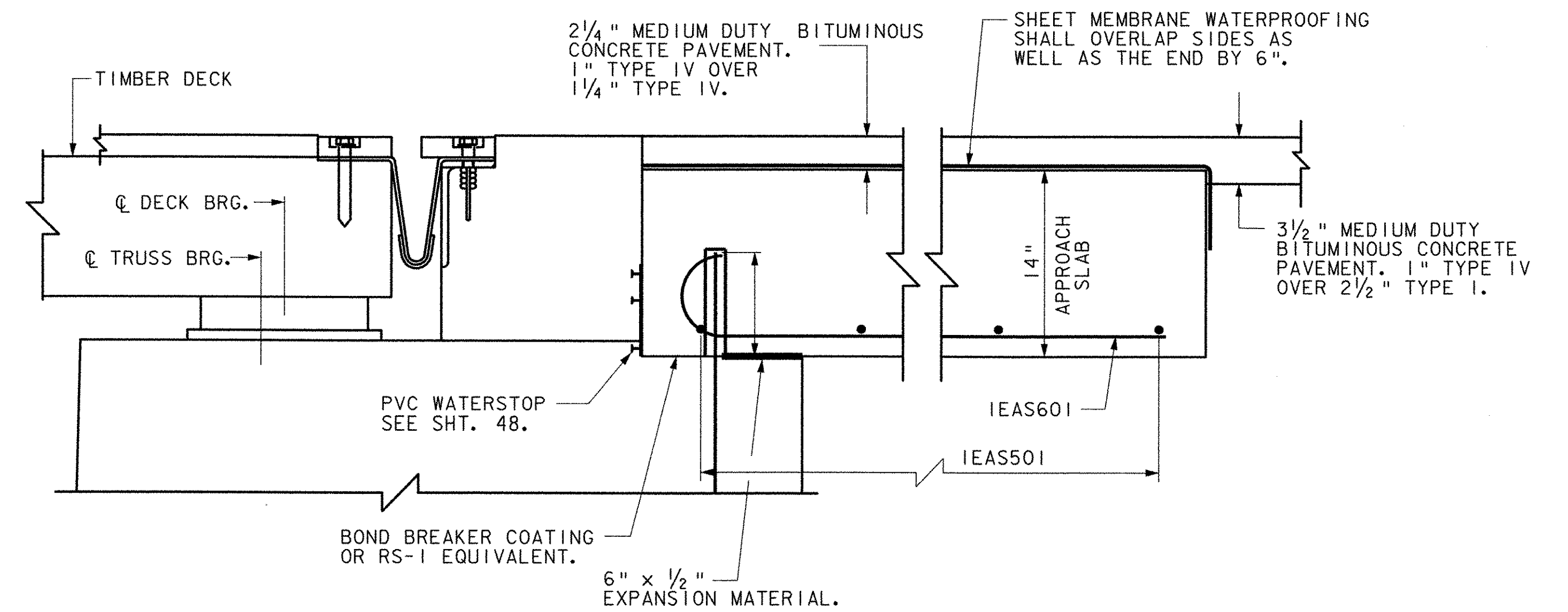
NOTE:

6" x 1/2" EXPANSION MATERIAL, PIPE INSULATION, 1/2" CLOSED CELL FOAM AND PVC WATERSTOP ARE SUBSIDIARY TO ITEM 501.34 "CONCRETE, HIGH PERFORMANCE CLASS B."



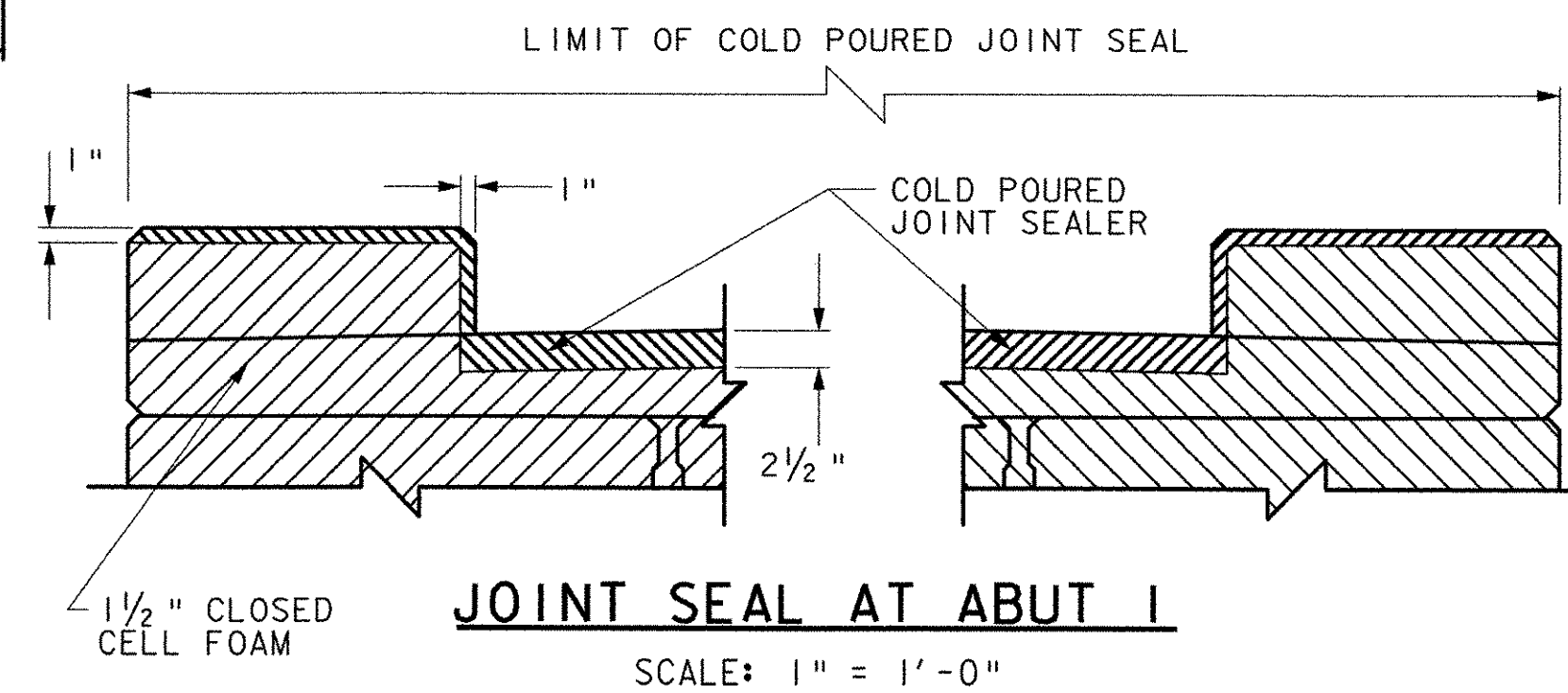
SECTION U-U

SCALE: 1 1/2" = 1'-0"



SECTION T-T

SCALE: 1 1/2" = 1'-0"



JOINT SEAL AT ABUT 1

SCALE: 1" = 1'-0"

**STATE OF VERMONT
AGENCY OF TRANSPORTATION**

Town Of MAIDSTONE, VT Bridge No. 1
STRATFORD, NH Log Sta.
Highway No. MAIDSTONE STATE HWY Surv. Sta.

APPROACH SLAB DETAILS

Designed By J. MESSIER Drawn By C. DONOHUE
Checked By Date Bridge Design Supervisor

D.B. SULLIVAN 08/01/03 Date

PROJECT MAIDSTONE-STRATFORD PROJECT NO. BHO 1447 (24)

I.G.C. Info.

Bridge Sheet No. Sheet 52 of 65

