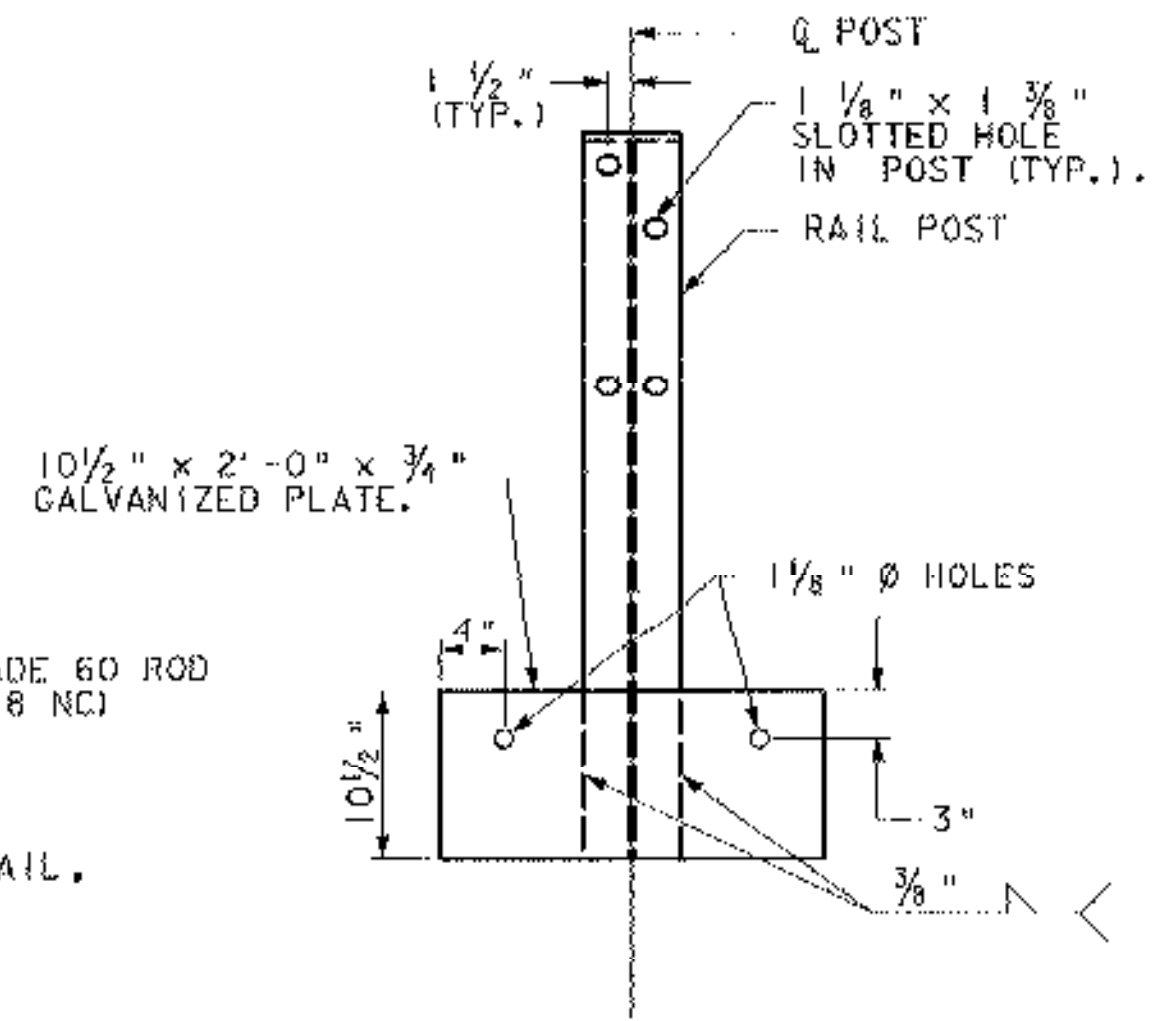


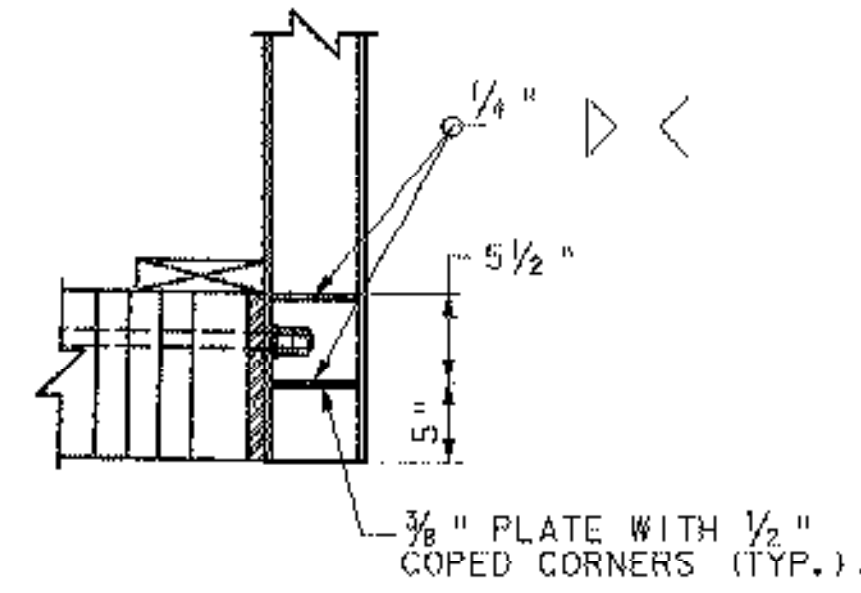
NOTES:

1. ANCHORAGE PLATE, CONNECTION PLATE, THREADED RODS, & MISCELLANEOUS HARDWARE ARE TO BE INCLUDED IN THE COST OF ITEM 525.33 "BRIDGE RAILING - NETC 2 RAIL (MODIFIED)".
2. FOR INTERMEDIATE RAIL POST SPACING SEE SHEET 41.



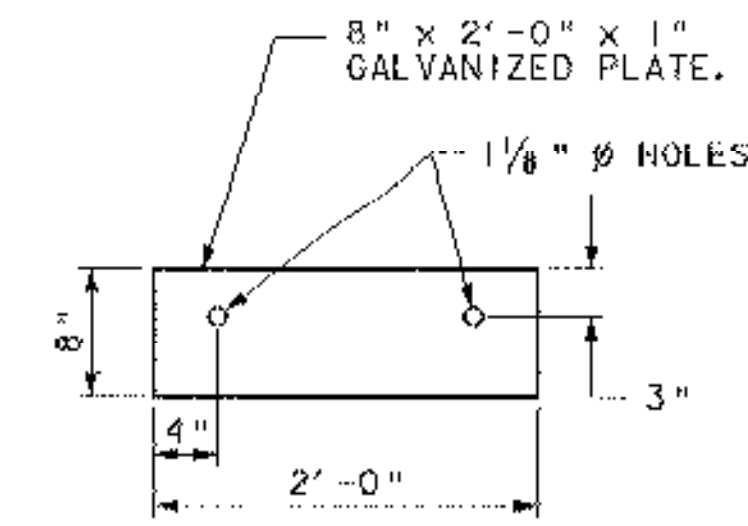
SECTION S-S

SCALE: 1" = 1'-0"



STIFFENER DETAIL

SCALE: 1" = 1'-0"

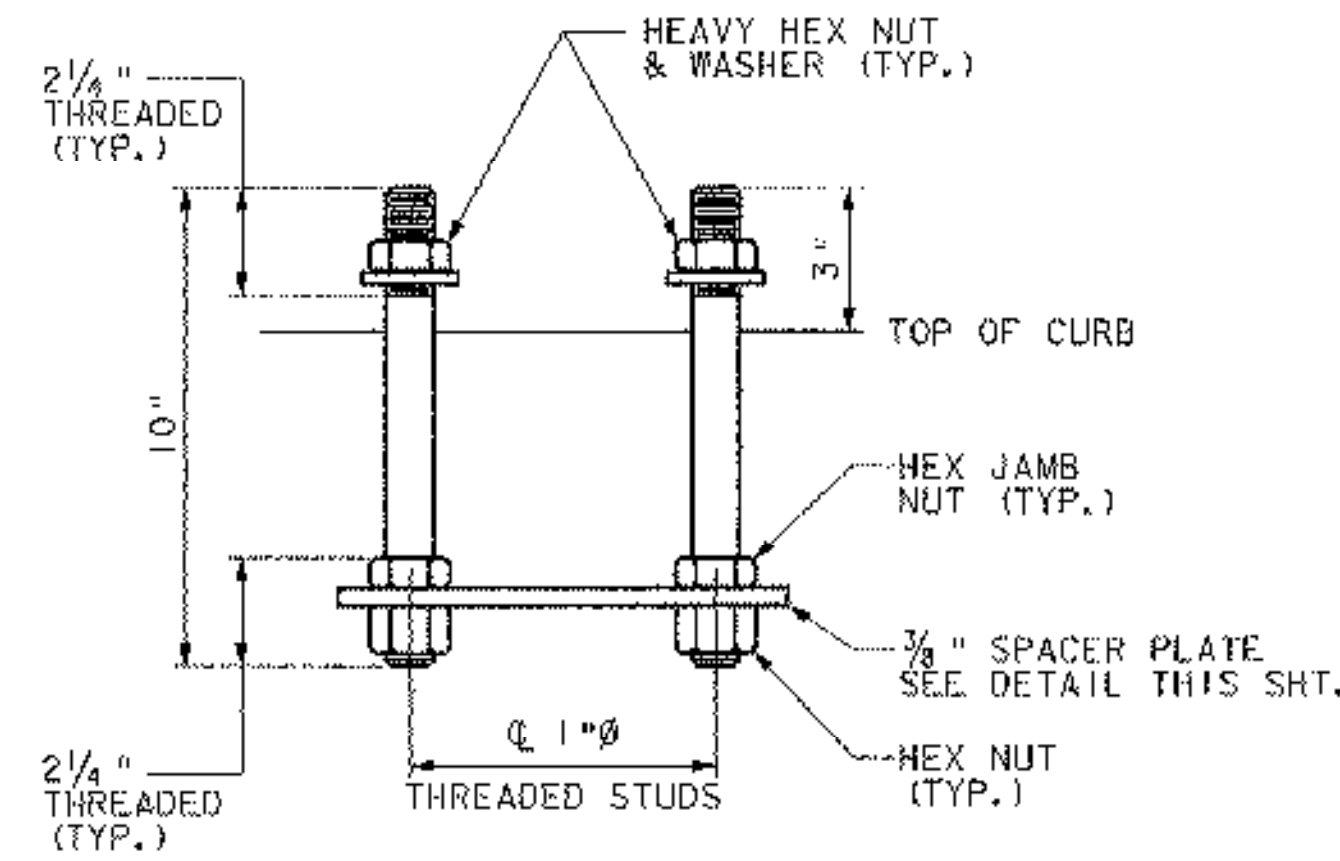


ANCHORAGE PLATE

SCALE: 1" = 1'-0"

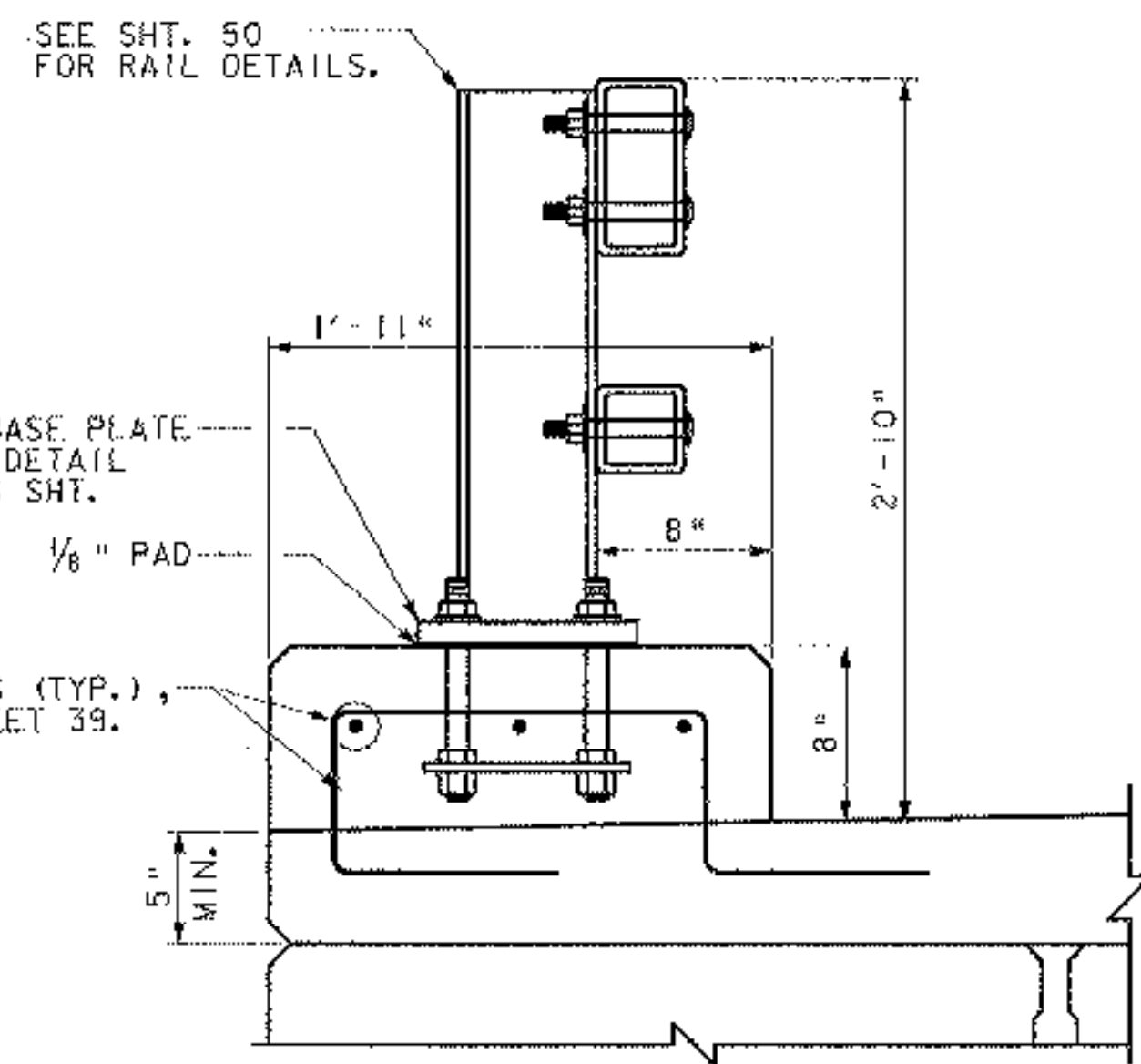
BRIDGE RAIL CONNECTION @ INTERMEDIATE POST

SCALE: 1" = 1'-0"



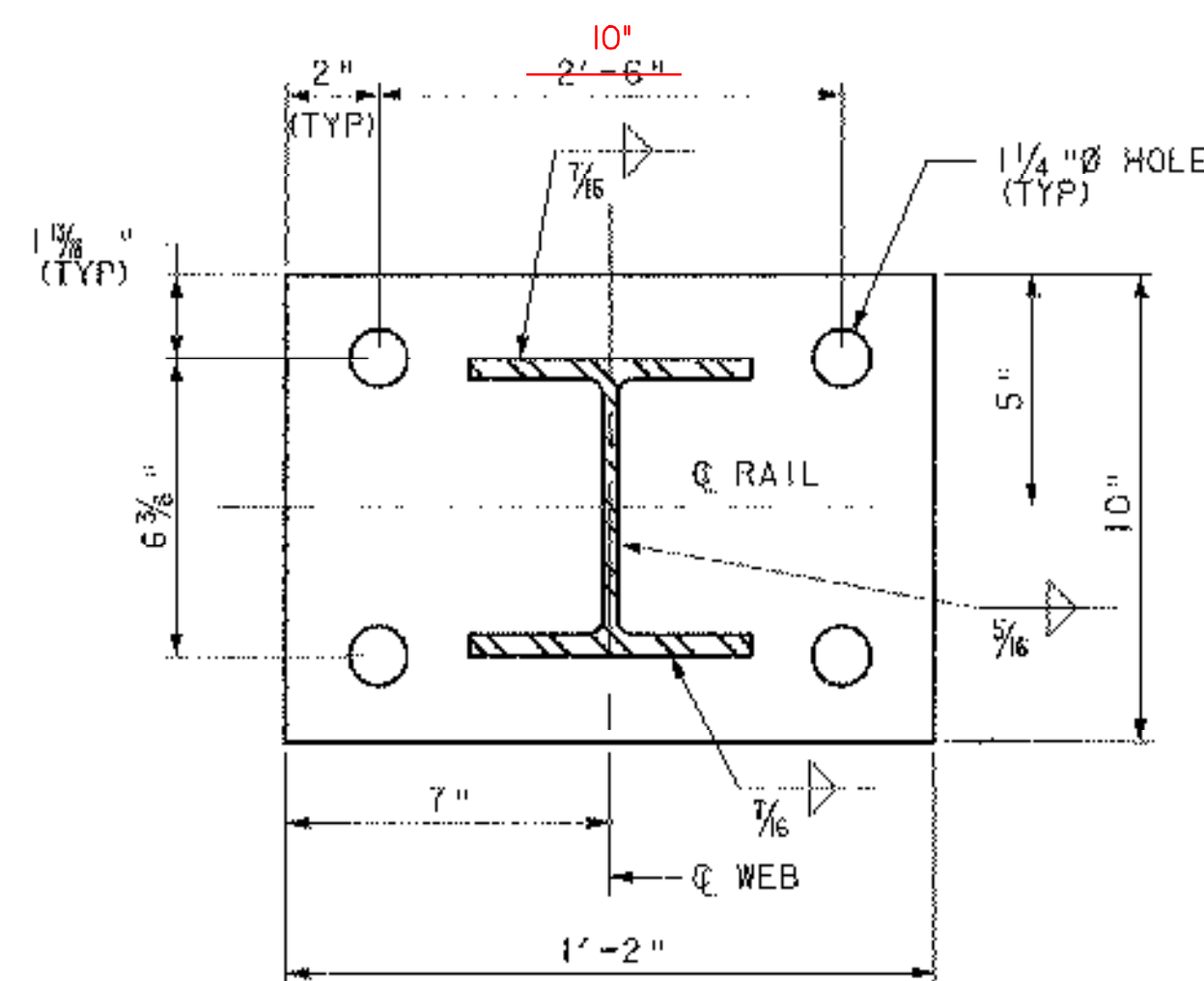
RAIL POST ANCHORAGE

SCALE: 3" = 1'-0"



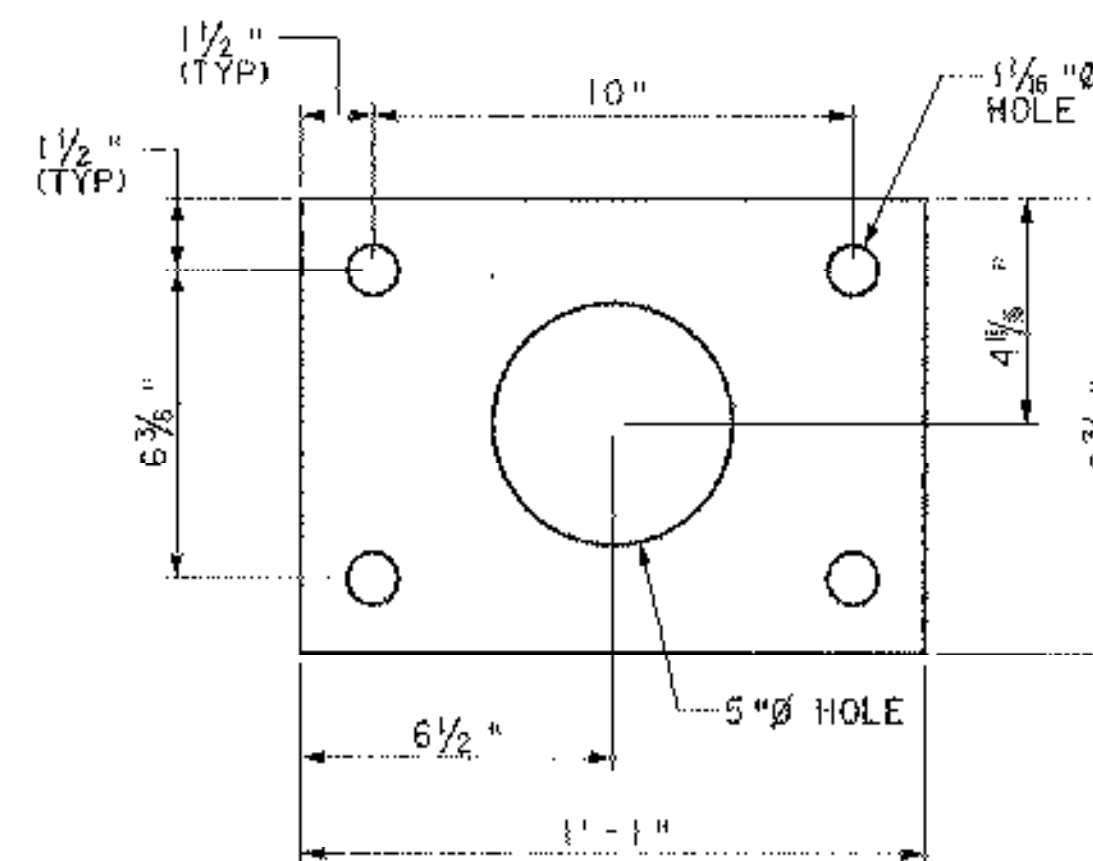
SPAN 1 RAIL POST

SCALE: 1 1/2" = 1'-0"



POST & BASE PLATE

SCALE: 1 1/2" = 1'-0"



SPACER PLATE

SCALE: 1 1/2" = 1'-0"

**STATE OF VERMONT
AGENCY OF TRANSPORTATION**

Town Of	MAIDSTONE, VT STRATFORD, NH	Bridge No.	1
Highway No.	MAIDSTONE STATE HWY	Log Sta.	
		Surv. Sta.	

BRIDGE RAIL DETAILS 2

Designed By	J. MESSIER	Drawn By	C. DONOHUE
Checked By	D. B. SULLIVAN	Date	08/01/03
		Bridge Design Supervisor	

PROJECT	MAIDSTONE-STRATFORD	PROJECT NO.	BHO 1447 (24)
---------	---------------------	-------------	---------------

I.G.C. Info.	
Bridge Sheet No.	Sheet 51 of 65

