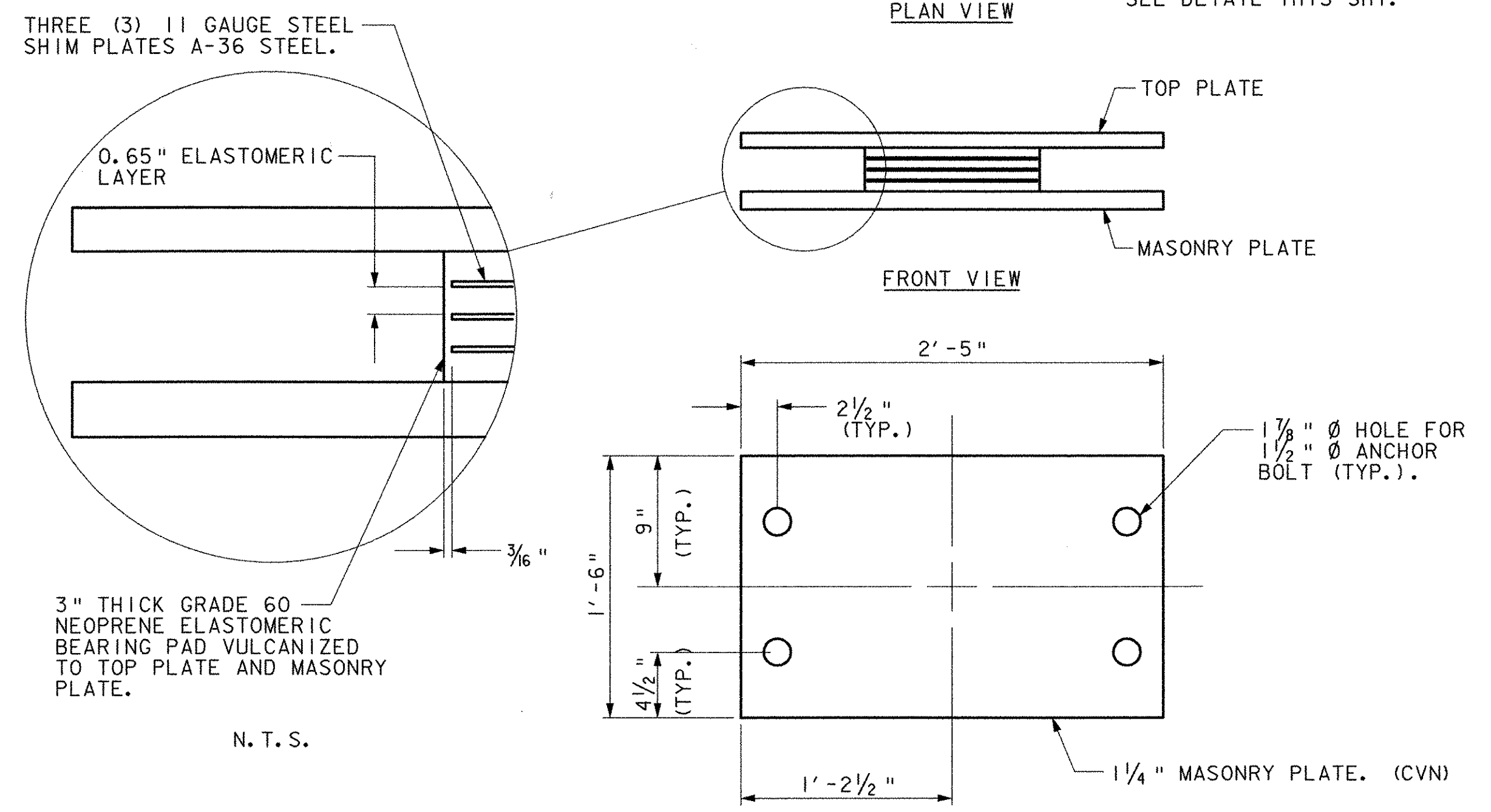
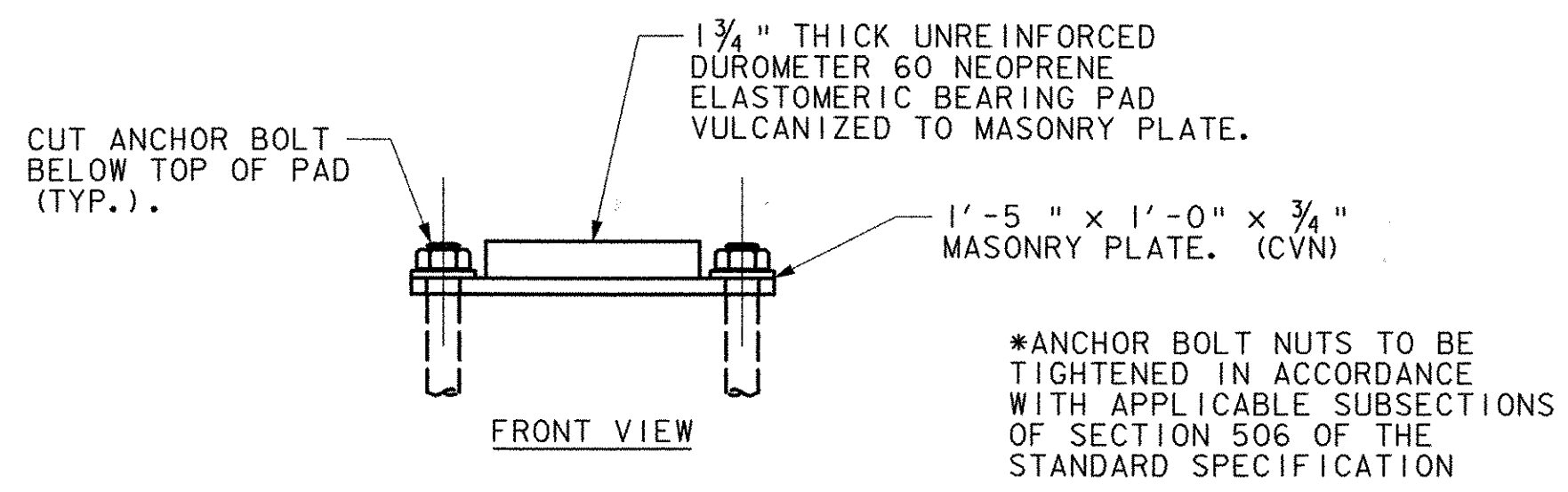


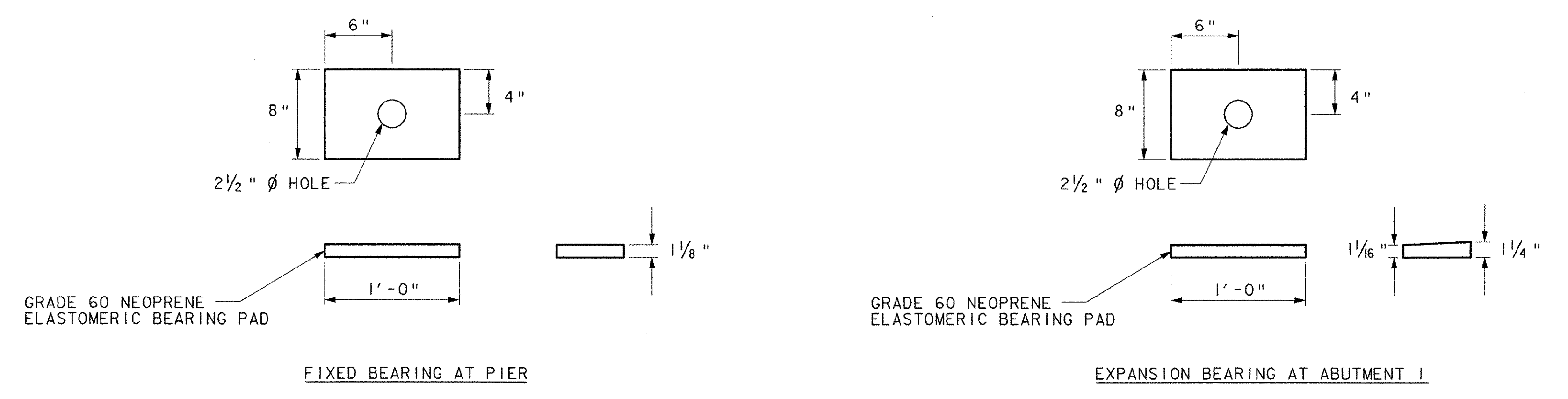
TIMBER DECK FIXED BEARING DETAILS
 SCALE: 1" = 1'-0"



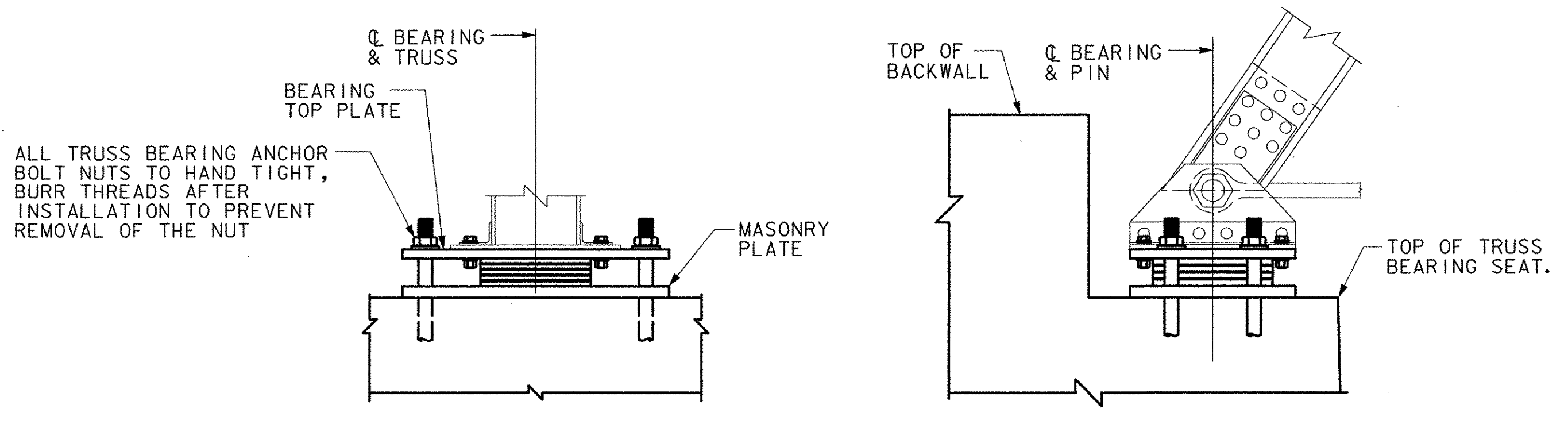
TRUSS BEARING DETAILS
 SCALE: 1/2" = 1'-0"



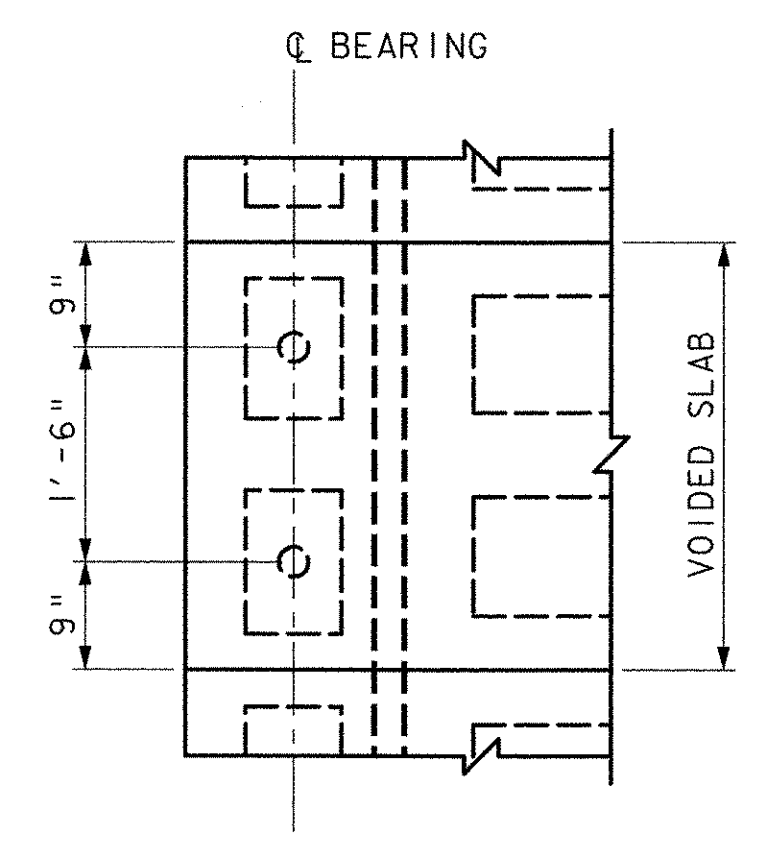
DECK EXPANSION BEARING DETAILS
 SCALE: 1/2" = 1'-0"



VOIDED SLAB BEARING DETAILS
 SCALE: 1/2" = 1'-0"



TRUSS BEARING INSTALLATION
 SCALE: 1" = 1'-0"



VOIDED SLAB BEARING INSTALLATION
 SCALE: 3/4" = 1'-0"

STATE OF VERMONT AGENCY OF TRANSPORTATION		
Town Of	MAIDSTONE, VT STRATFORD, NH	Bridge No. 1
Highway No.	MAIDSTONE STATE HWY	Log Sta. Surv. Sta.
BEARING DETAILS		
Designed By	J. MESSIER	Drawn By C. DONOHUE
Checked By	Date	Bridge Design Supervisor
D. B. SULLIVAN	08/01/03	Date
PROJECT	MAIDSTONE-STRATFORD	PROJECT NO. BHO 1447 (24)
I.G.C. Info.		
Bridge Sheet No.	Sheet 47 of 65	



13 AUG 2003 10:20:17A scdd\cgm\z054br-g.dgn