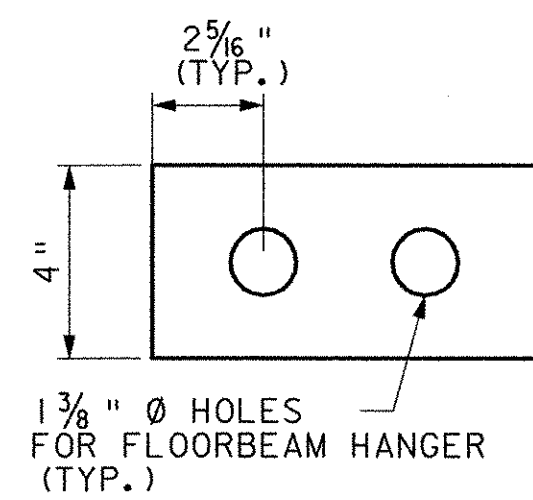
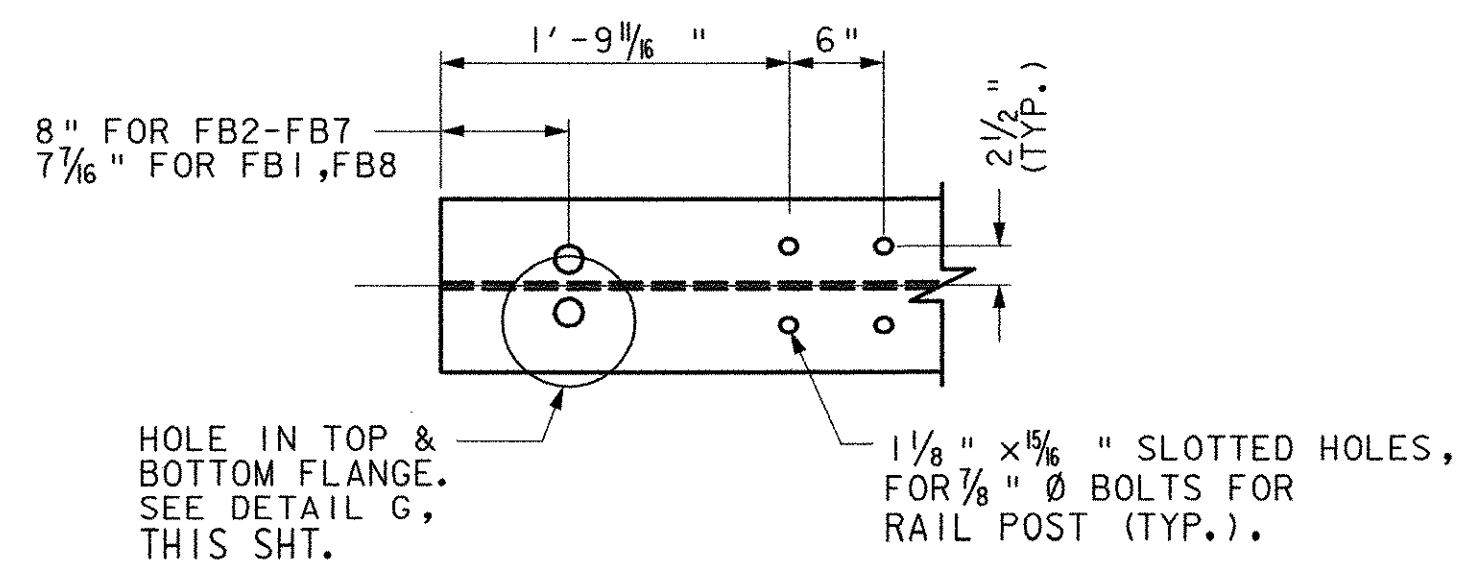


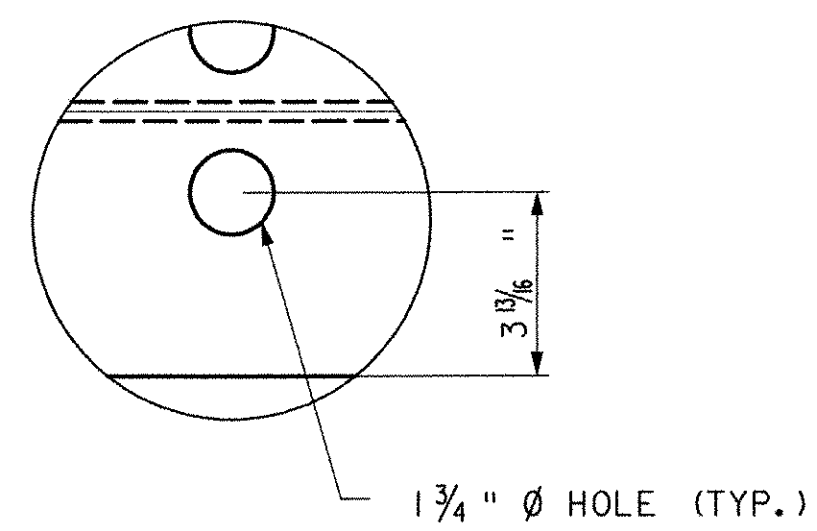
**TYPICAL FLOORBEAM CONNECTION**  
SCALE: 1" = 1'-0"



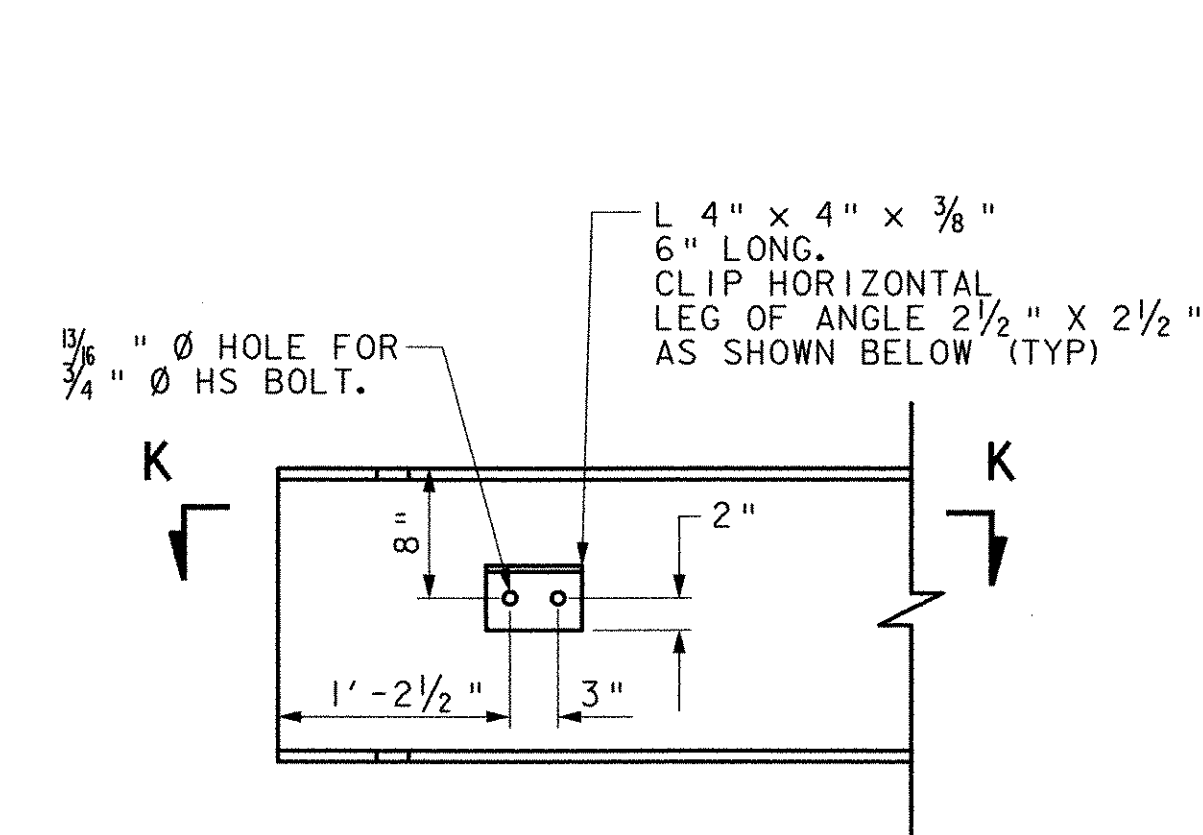
**DETAIL F**  
SCALE: 3" = 1'-0"



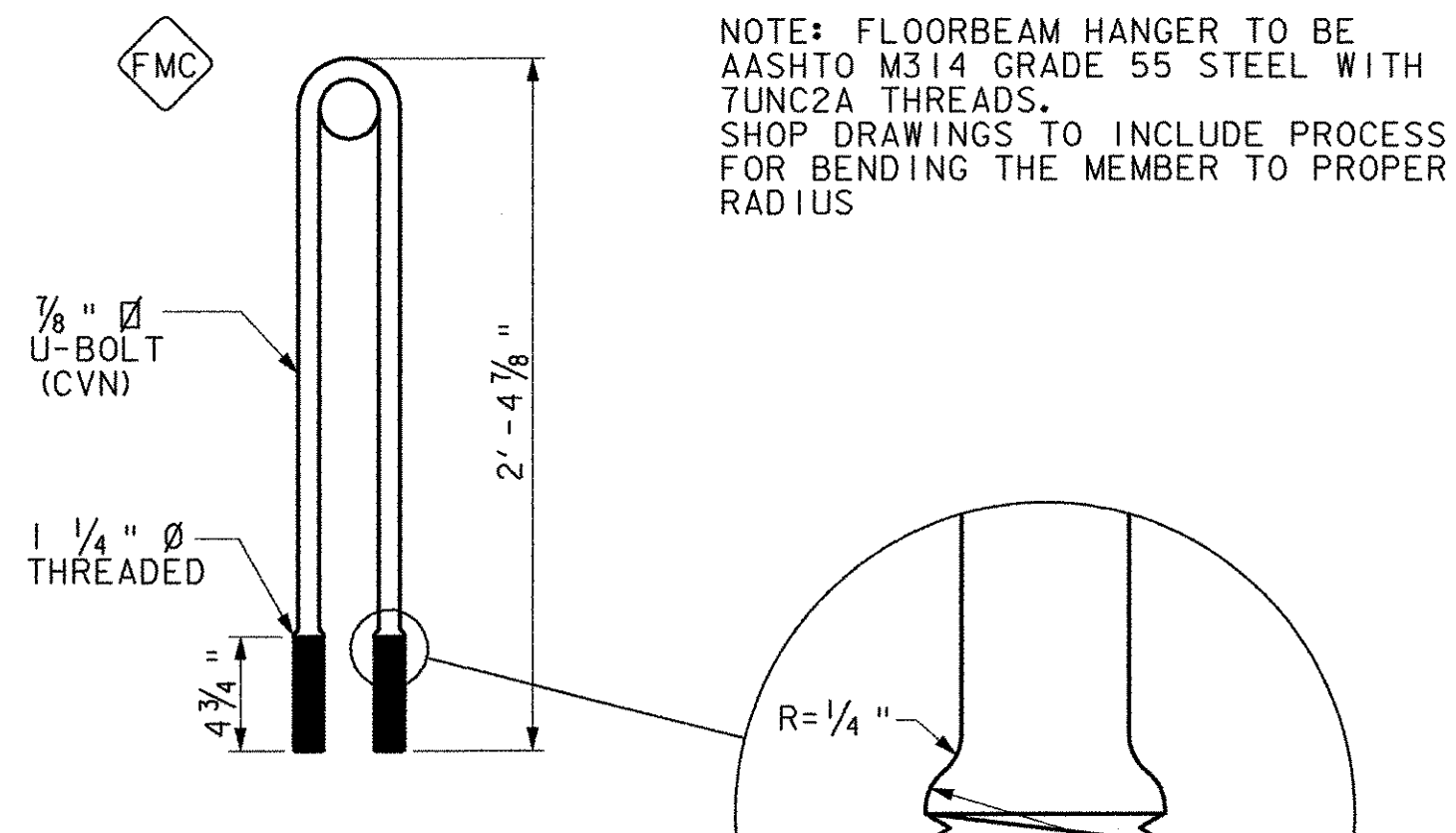
**END OF FLOORBEAM**  
SCALE: 1" = 1'-0"



**DETAIL G**  
SCALE: 3" = 1'-0"

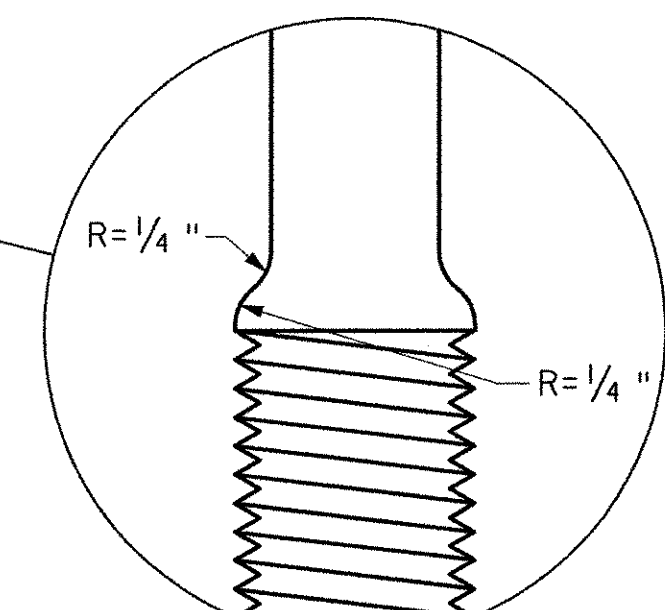


**TYPICAL LOWER LATERAL BRACING CONNECTION**  
SCALE: 1" = 1'-0"

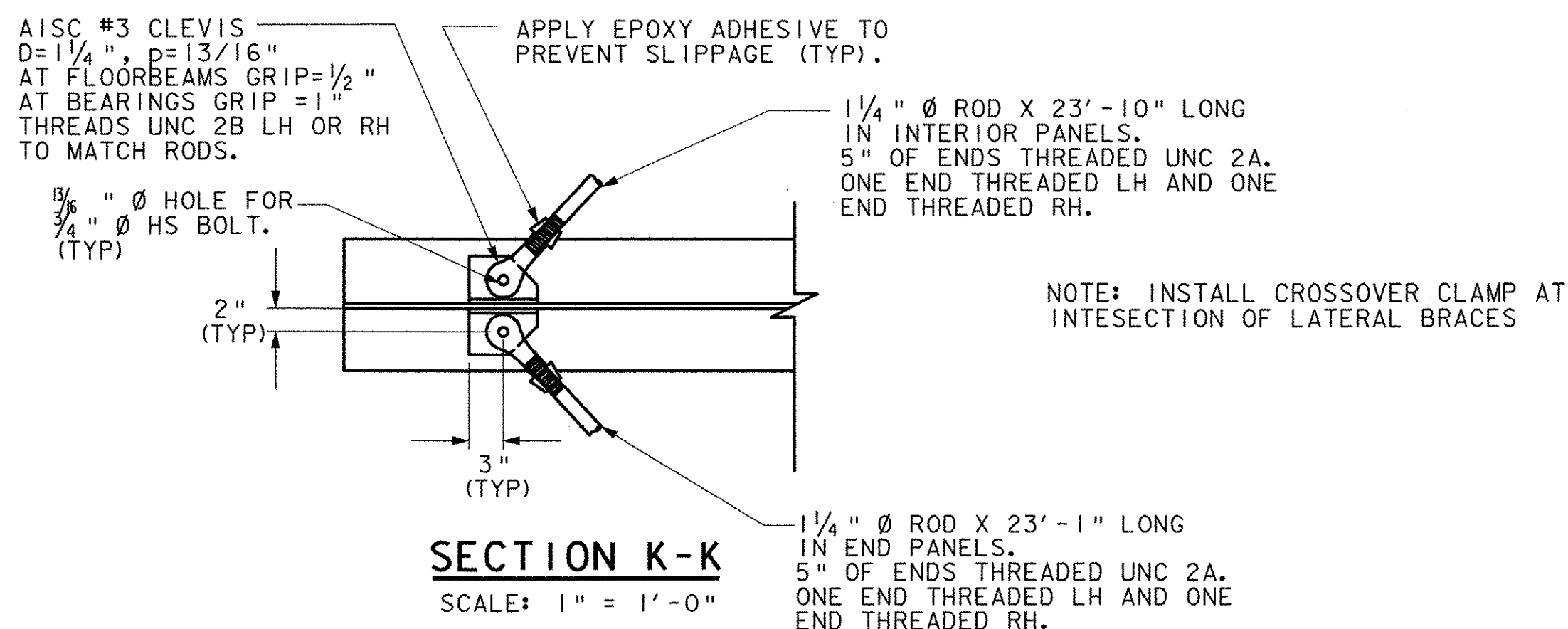


**FLOORBEAM HANGER**  
**DETAIL H**  
SCALE: 1/2" = 1'-0"

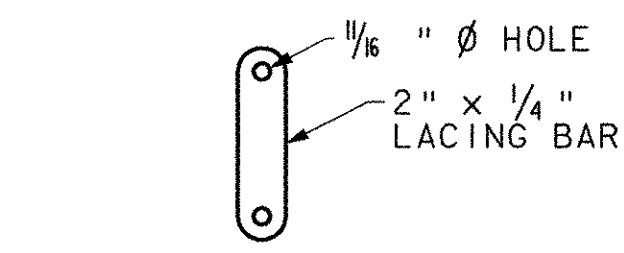
NOTE: FLOORBEAM HANGER TO BE AASHTO M314 GRADE 55 STEEL WITH 7UNC2A THREADS. SHOP DRAWINGS TO INCLUDE PROCESS FOR BENDING THE MEMBER TO PROPER RADIUS



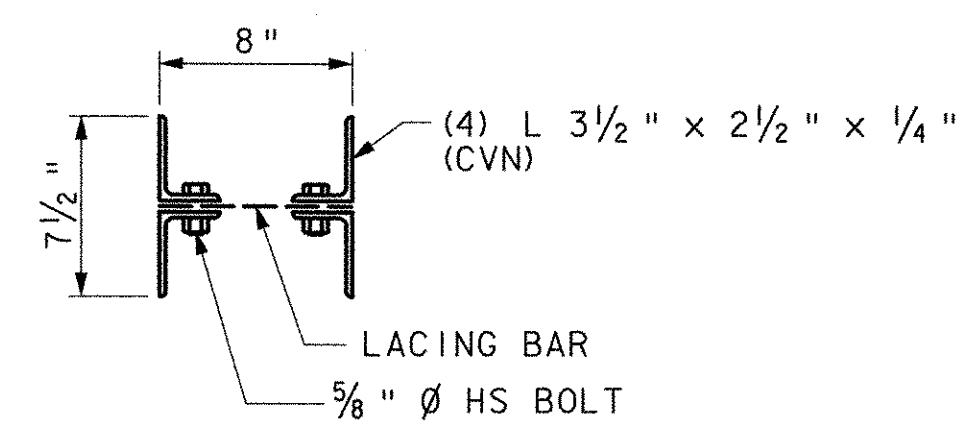
**DETAIL J**  
SCALE: 6" = 1'-0"



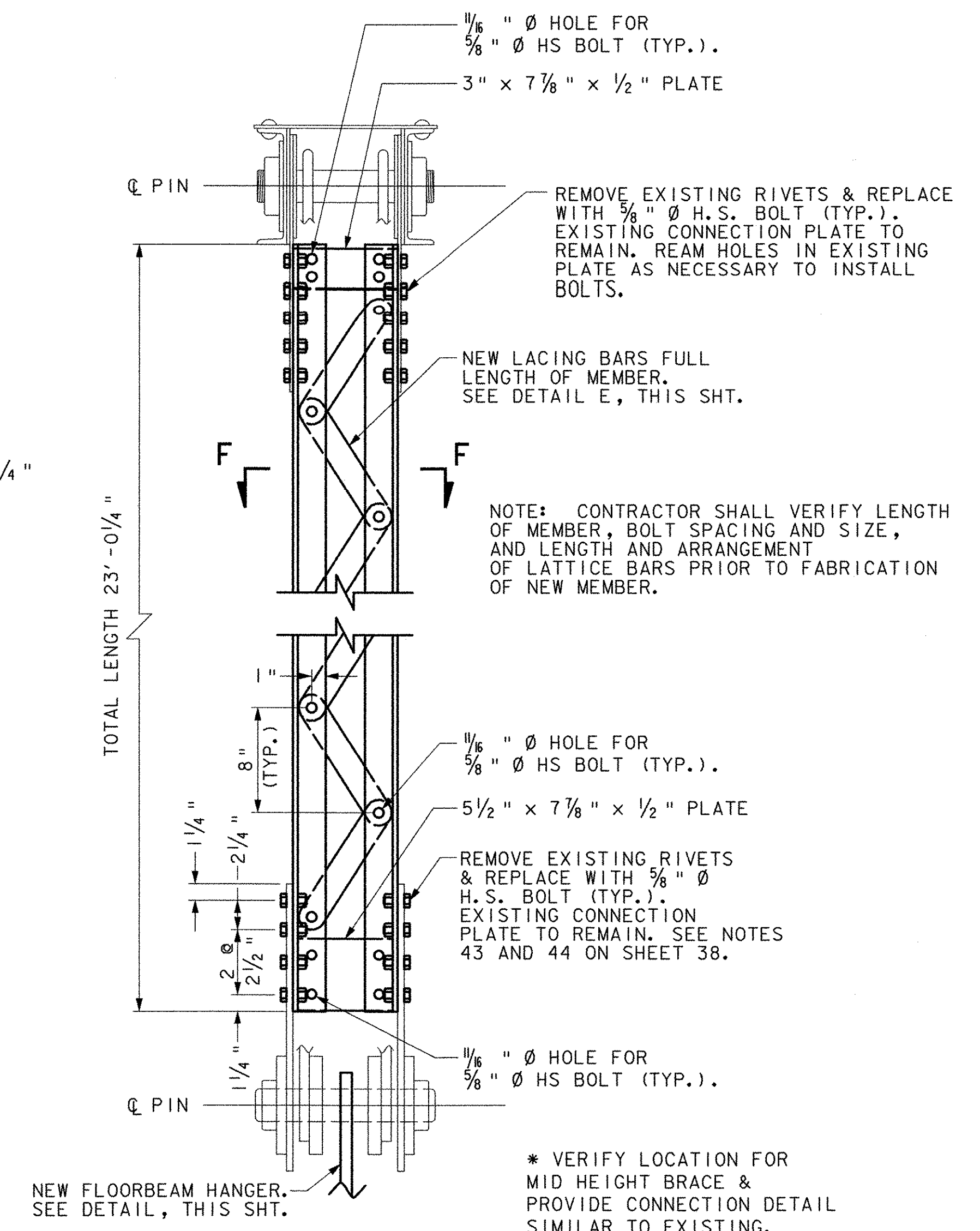
**SECTION K-K**  
SCALE: 1" = 1'-0"



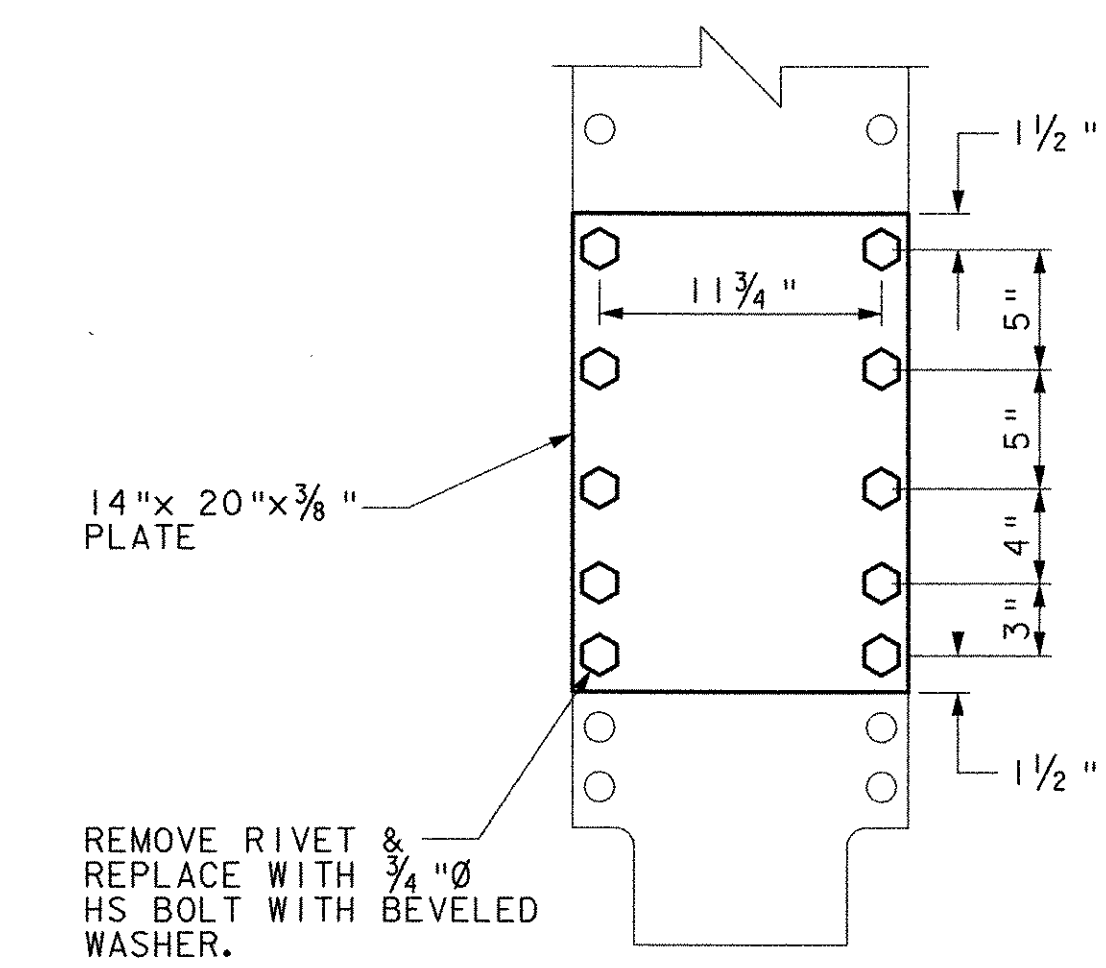
**DETAIL E**  
SCALE: 1/2" = 1'-0"



**SECTION F-F**  
SCALE: 1 1/2" = 1'-0"



**NEW L7U7**  
SCALE: 1 1/2" = 1'-0"  
(NORTH TRUSS)



**CRACK REPAIR DETAIL**  
**MEMBER U8L9 SOUTH TRUSS**  
SCALE: 1 1/2" = 1'-0"

STATE OF VERMONT AGENCY OF TRANSPORTATION		
Town Of	MAIDSTONE, VT STRATFORD, NH	Bridge No. 1
Highway No.	MAIDSTONE STATE HWY	Log Sta. Surv. Sta.
STEEL DETAILS 2		
Designed By	J. MESSIER	Drawn By C. DONOHUE
Checked By	Date	Bridge Design Supervisor
D. B. SULLIVAN	08/01/03	Date
PROJECT	MAIDSTONE-STRATFORD	PROJECT NO. BHO 1447 (24)
I.G.C. Info.		
Bridge Sheet No.	Sheet 46 of 65	