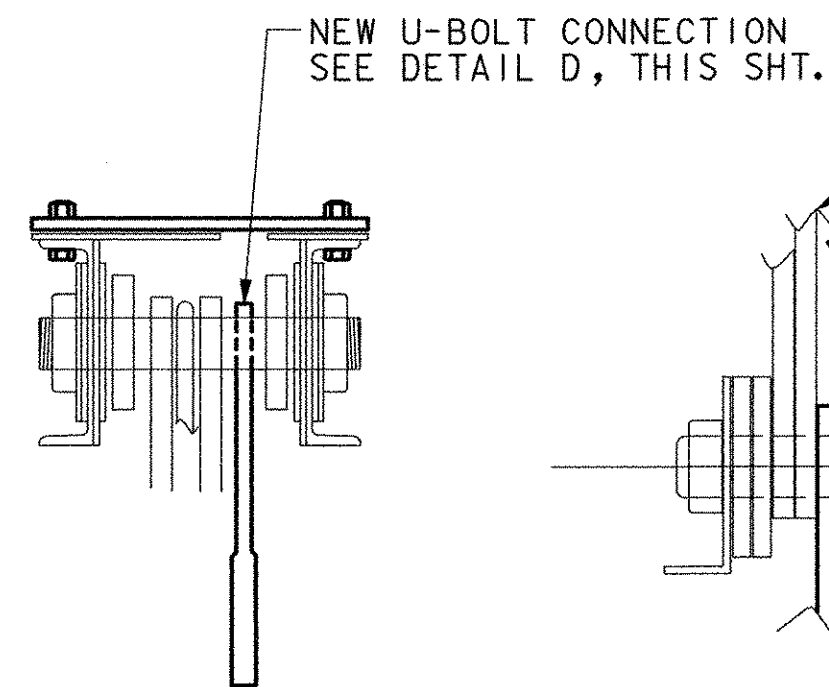
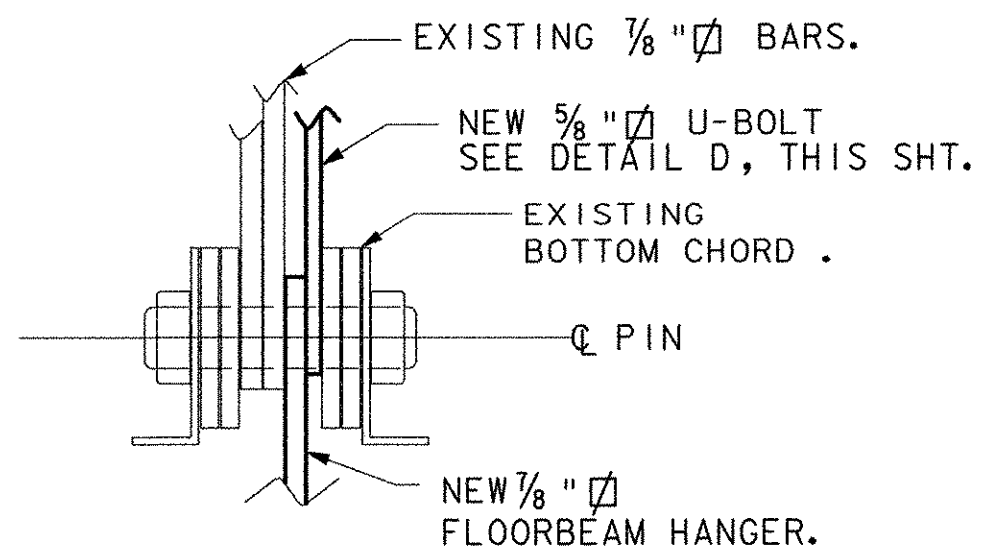


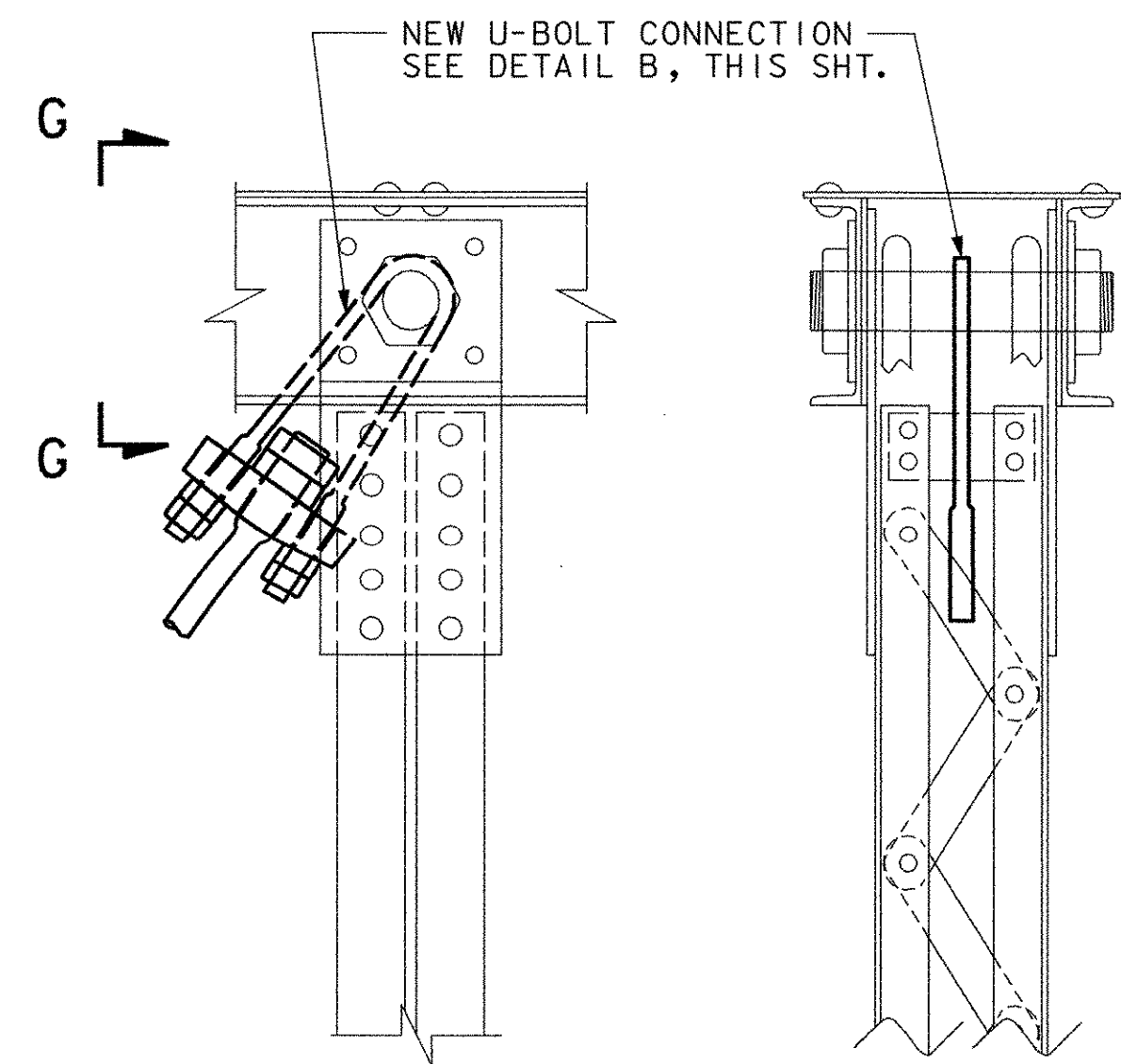
UI & U8
SCALE: 1/2" = 1'-0"



SECTION H-H
SCALE: 1/2" = 1'-0"

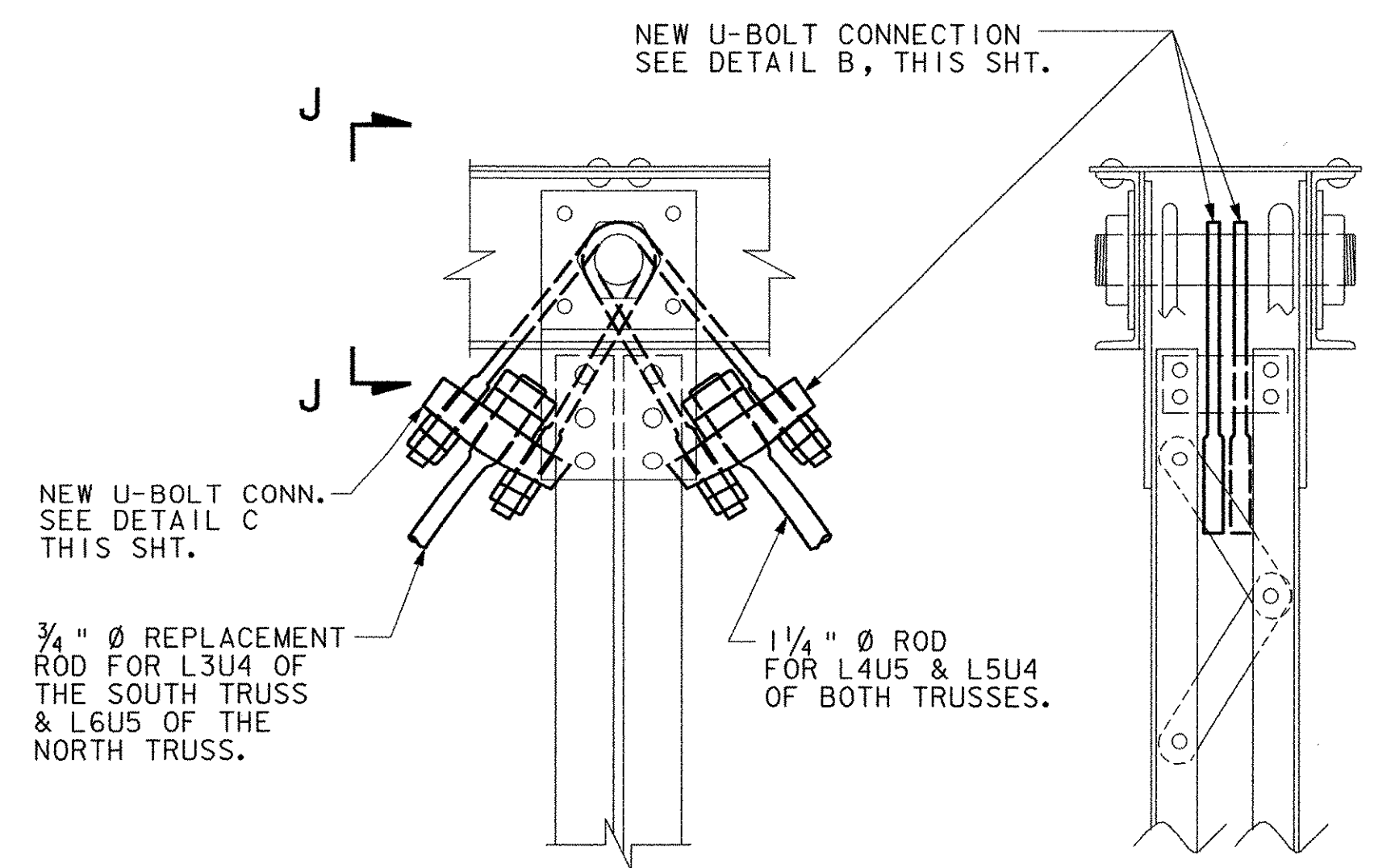


LI & L8
SCALE: 1/2" = 1'-0"



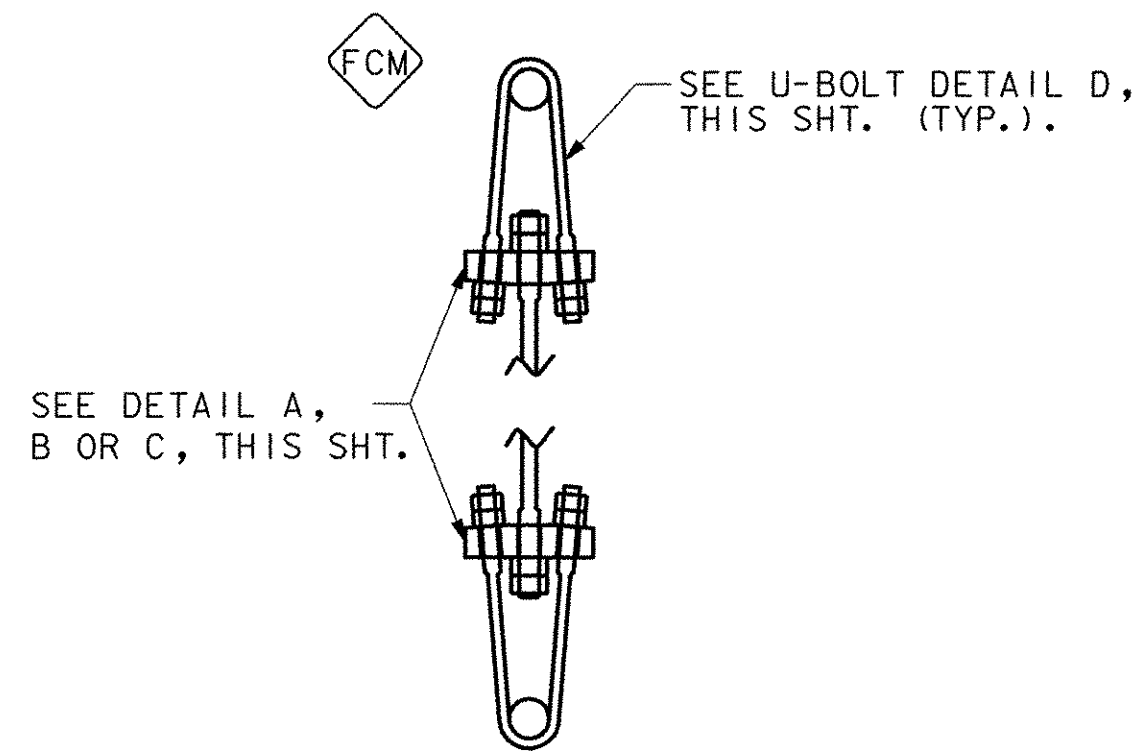
U3 & U6
SCALE: 1/2" = 1'-0"

SECTION G-G
SCALE: 1/2" = 1'-0"

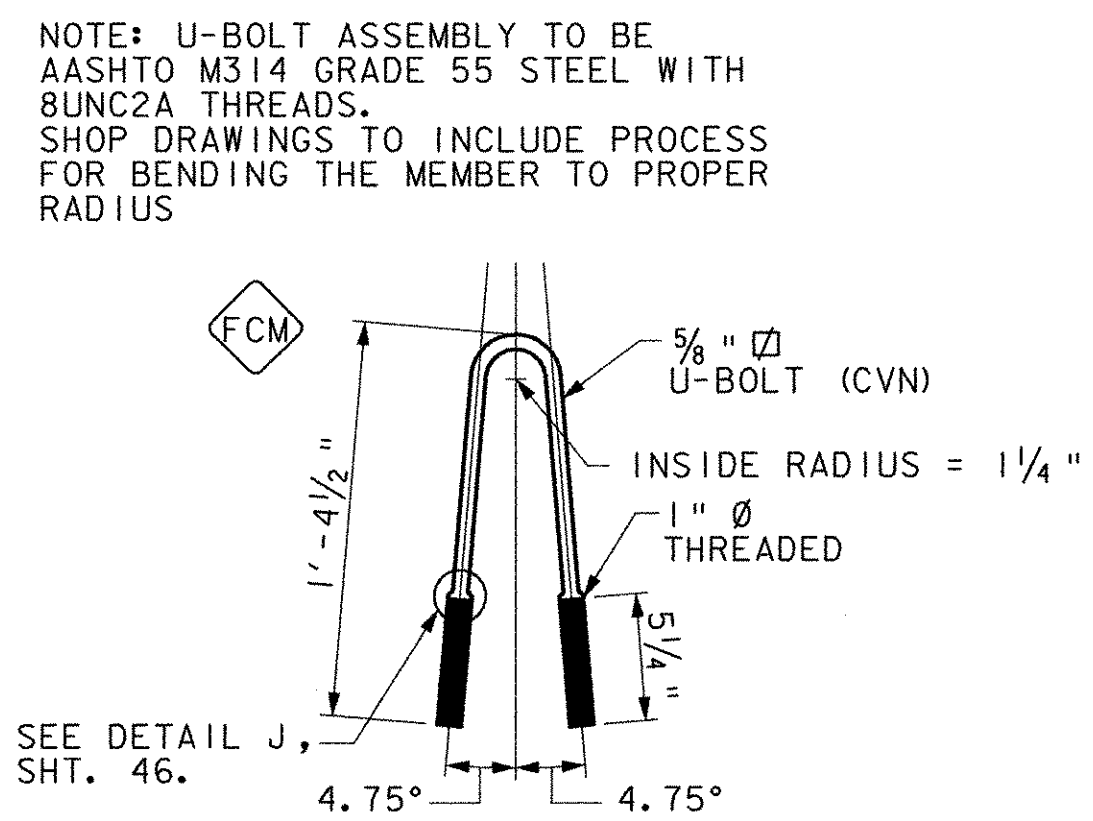


U4 & U5
SCALE: 1/2" = 1'-0"

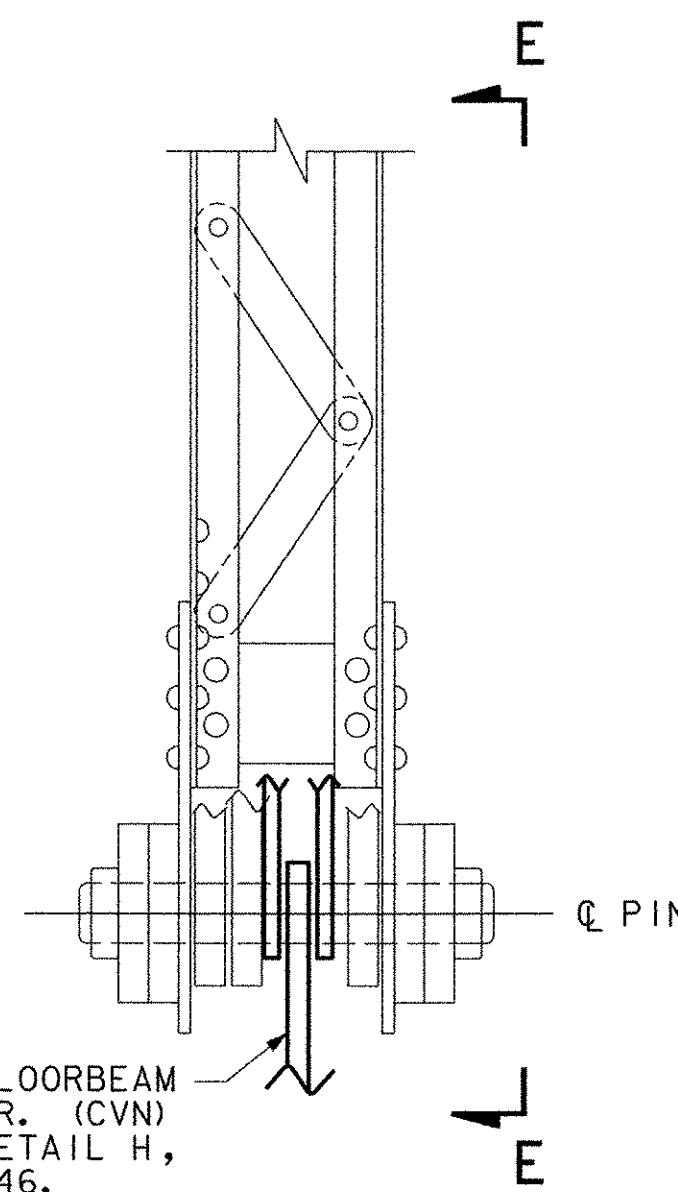
SECTION J-J
SCALE: 1/2" = 1'-0"



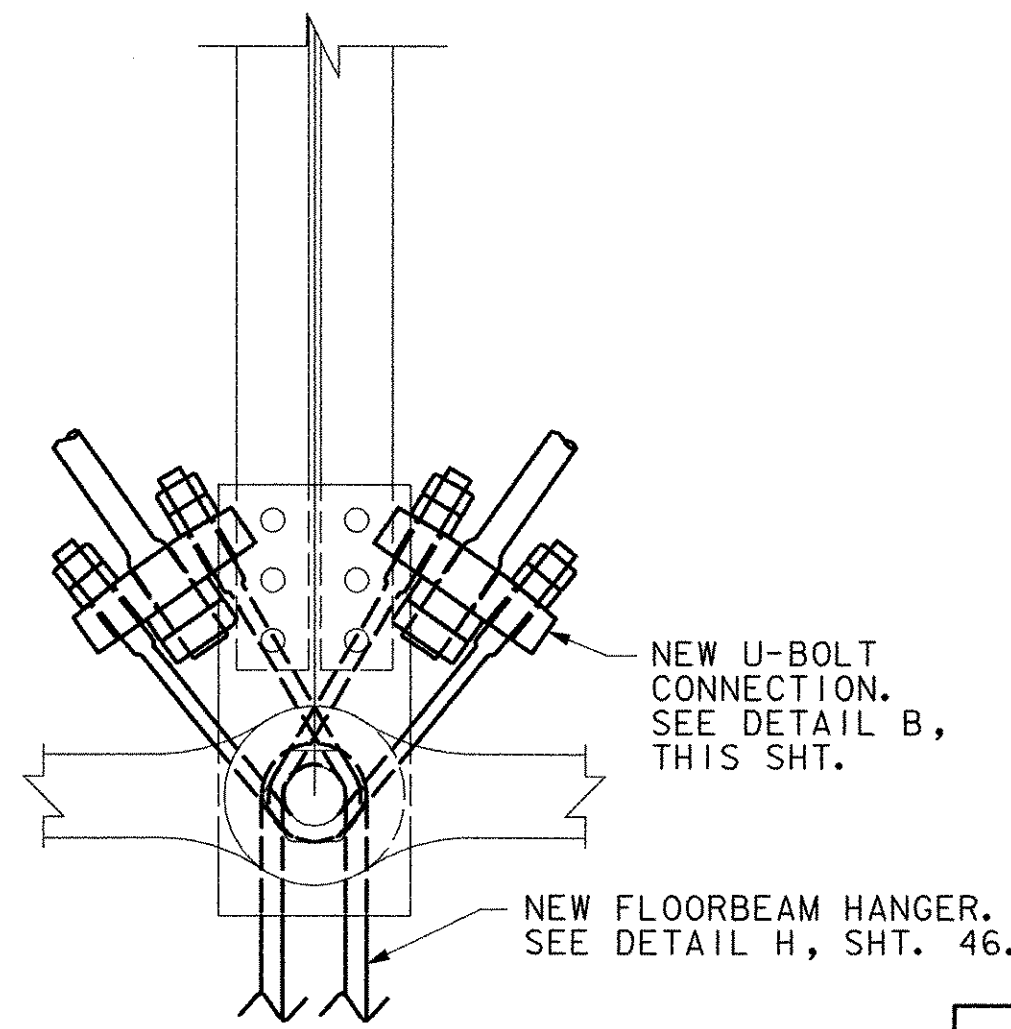
TYPICAL CONNECTION FOR MEMBER REINFORCEMENT
SCALE: 1" = 1'-0"



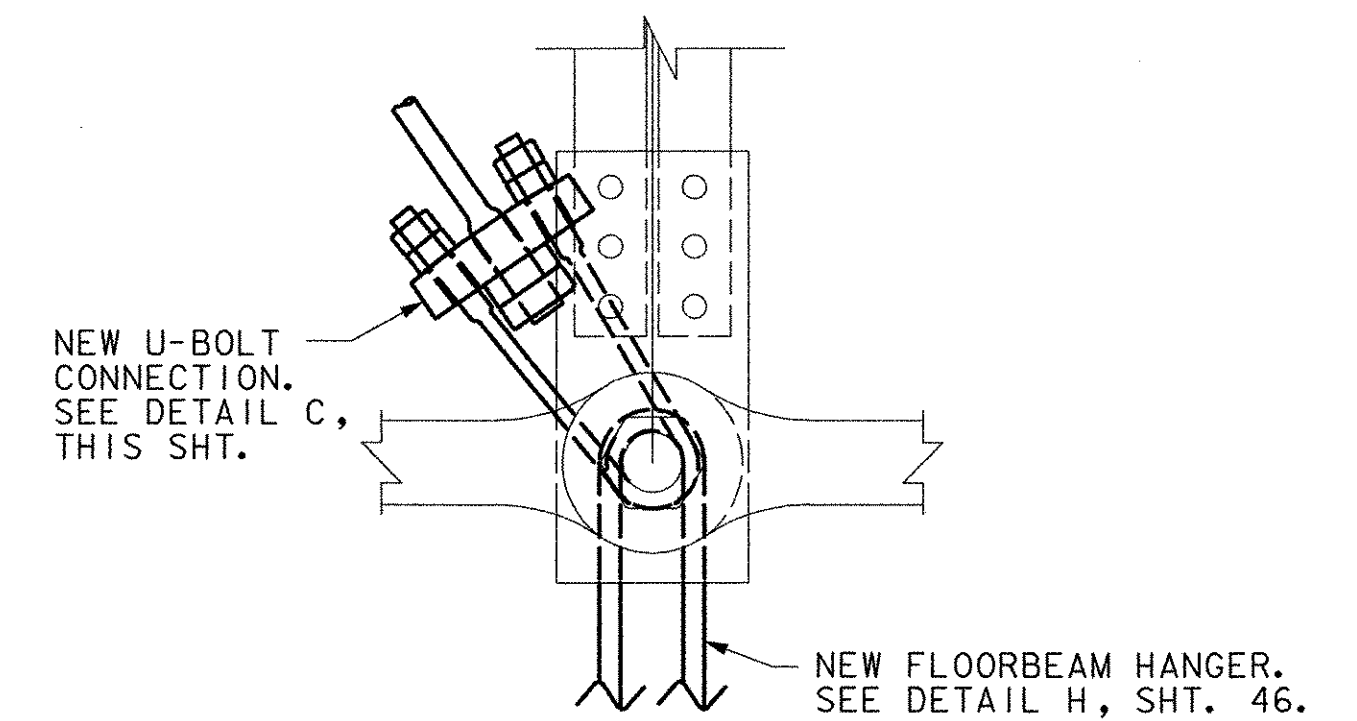
U-BOLT DETAIL D
SCALE: 1/2" = 1'-0"



L4 & L5
SCALE: 1/2" = 1'-0"



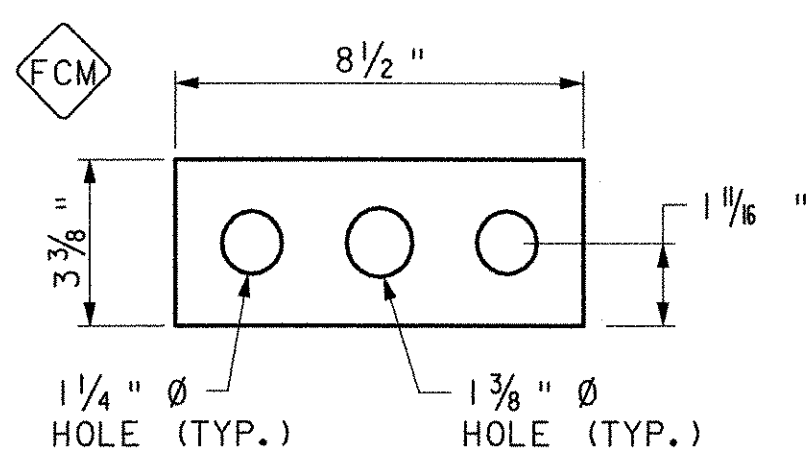
SECTION E-E
SCALE: 1/2" = 1'-0"



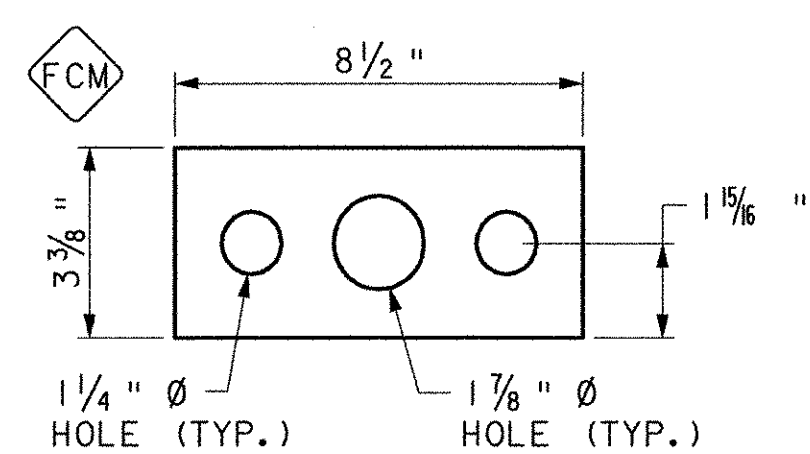
CONNECTION OF NORTH TRUSS @ L3 & SOUTH TRUSS @ L6
SCALE: 1/2" = 1'-0"

	MEMBER*	SIZE	TOTAL LENGTH	NOMINAL DIAMETER OF UPSET THREADS	THREAD LENGTH	THREAD
NEW	L1U1, L8U8	7/8" □	22'-10 1/2"	1 1/4"	4"	1 1/4" - 7UNC2A
	L4U3, L5U6	1 1/4" Ø	28'-3"	1 3/4"	6"	1 3/4" - 5UNC2A
	L5U4, L4U5	1 1/4" Ø	28'-3"	1 3/4"	6"	1 3/4" - 5UNC2A
REPLACEMENT	L7U7 NORTH TRUSS		SEE DETAIL L7U7, SHEET 46.			
	L3U4 SOUTH TRUSS	3/4" Ø	28'-2"	1"	6"	1 - 8UNC2A
	L6U5 NORTH TRUSS	3/4" Ø	28'-2"	1"	6"	1 - 8UNC2A

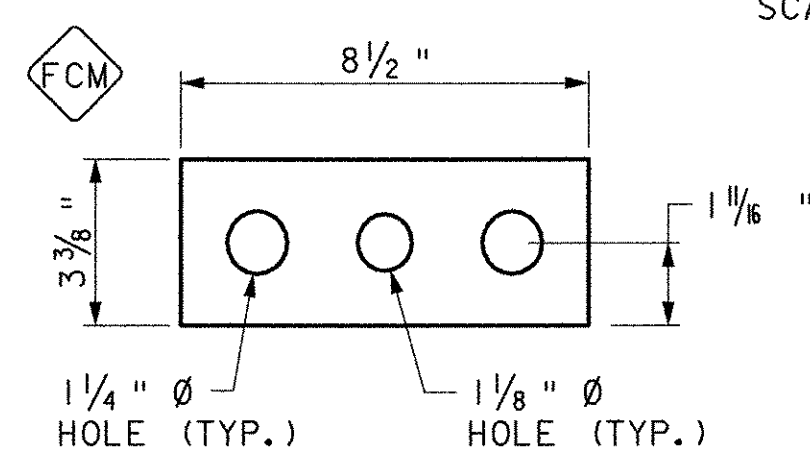
*ALL MEMBERS TRUSS MEMBERS ARE FRACTURE CRITICAL MEMBERS (FCM)



DETAIL A
SCALE: 3" = 1'-0"



DETAIL B
SCALE: 3" = 1'-0"



DETAIL C
SCALE: 3" = 1'-0"

LEGEND

□ - SQUARE BAR
Ø - ROUND BAR

AT TOP CHORD NODE UI AND U8

1. REMOVE RIVETS AND DISCARD BENT PLATE ON TOP OF TOP CHORD AT UI AND U8.
2. CUT 2" WIDE x 7" LONG HOLE IN TOP PLATE OF TOP CHORD
3. MOVE EXISTING VERTICAL MEMBERS TOWARD THE INSIDE ON THE PIN
4. INSTALL U-BOLT THROUGH HOLE ONTO TOP CHORD PIN
5. INSTALL NEW BENT PLATE

AT BOTTOM CHORD NODE LI AND L8

1. REMOVE EXISTING FLOOR BEAM HANGER
2. MOVE EXISTING VERTICAL MEMBERS TOWARD THE INSIDE ON THE PIN
3. INSTALL U-BOLT AND FLOOR BEAM HANGER ONTO BOTTOM CHORD PIN
4. ADJUST TENSION IN NEW MEMBER BY TIGHTENING NUTS ON U-BOLT.



STATE OF VERMONT AGENCY OF TRANSPORTATION

Town Of MAIDSTONE, VT STRATFORD, NH Bridge No. 1
Highway No. MAIDSTONE STATE HWY Log Sta. Surv. Sta.

STEEL DETAILS I

Designed By J. MESSIER Drawn By C. DONOHUE
Checked By Date Bridge Design Supervisor
D. B. SULLIVAN 08/01/03 Date

PROJECT MAIDSTONE-STRATFORD PROJECT NO. BHO 1447 (24)

I.G.C. Info. Bridge Sheet No. Sheet 45 of 65