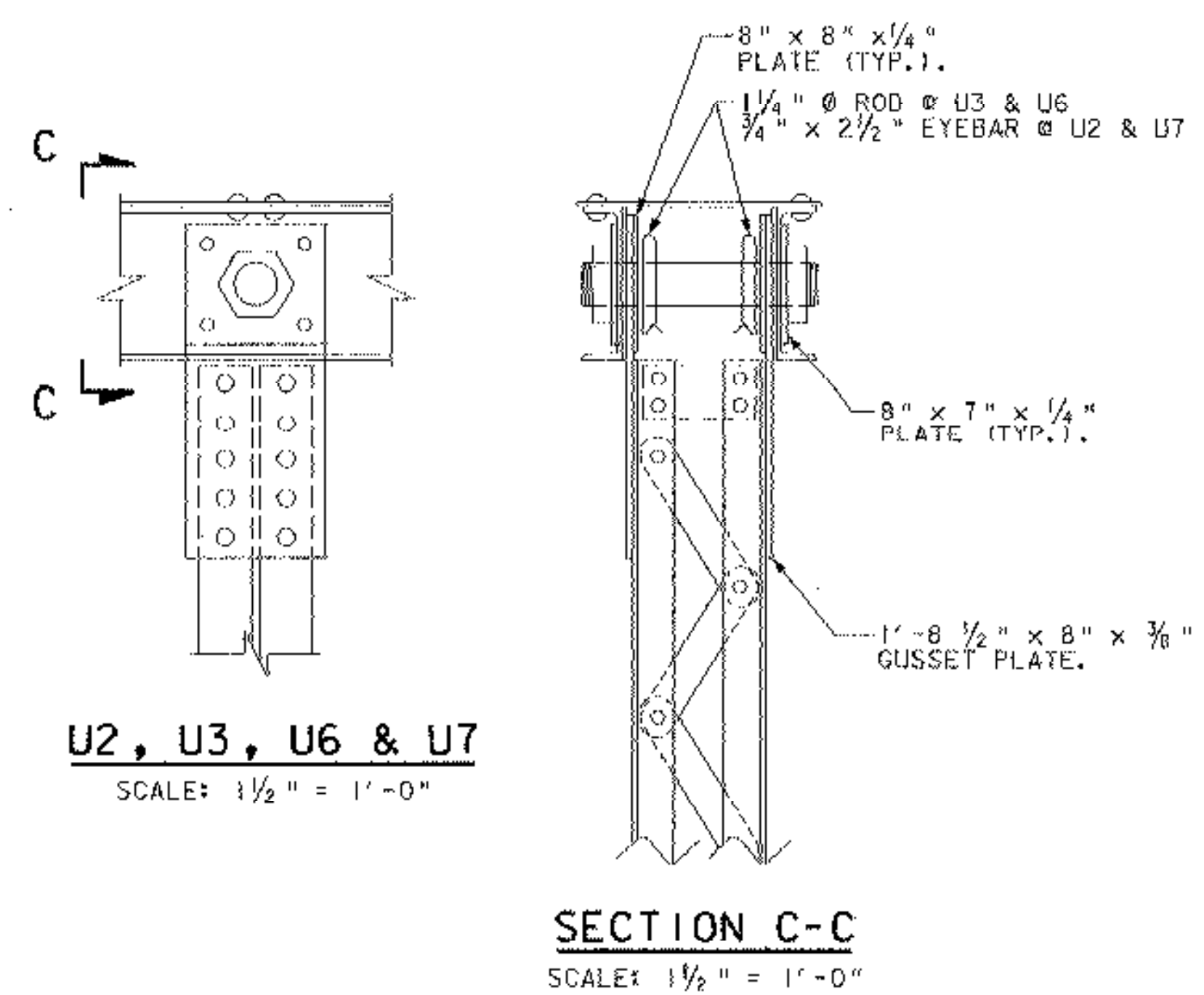
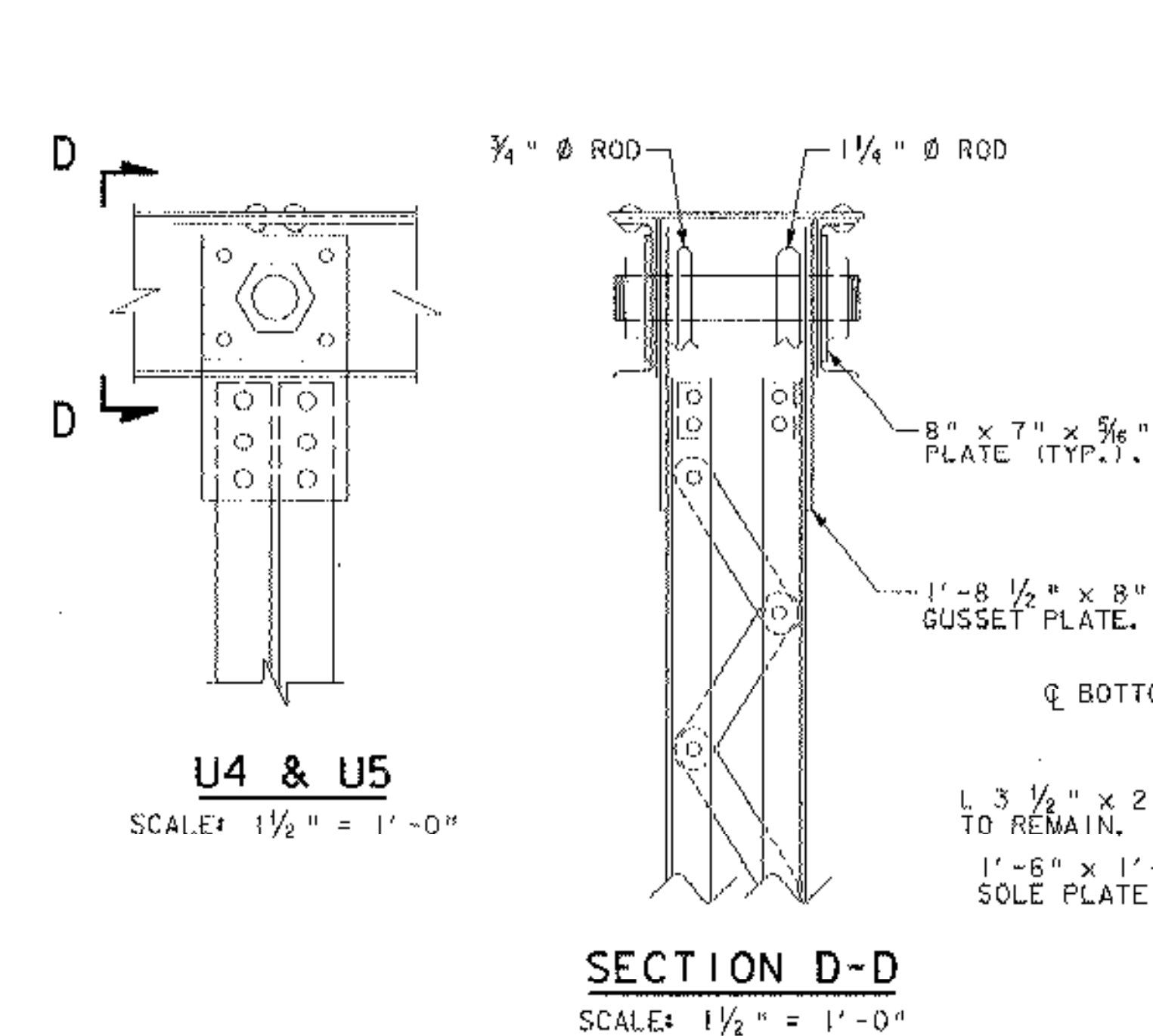


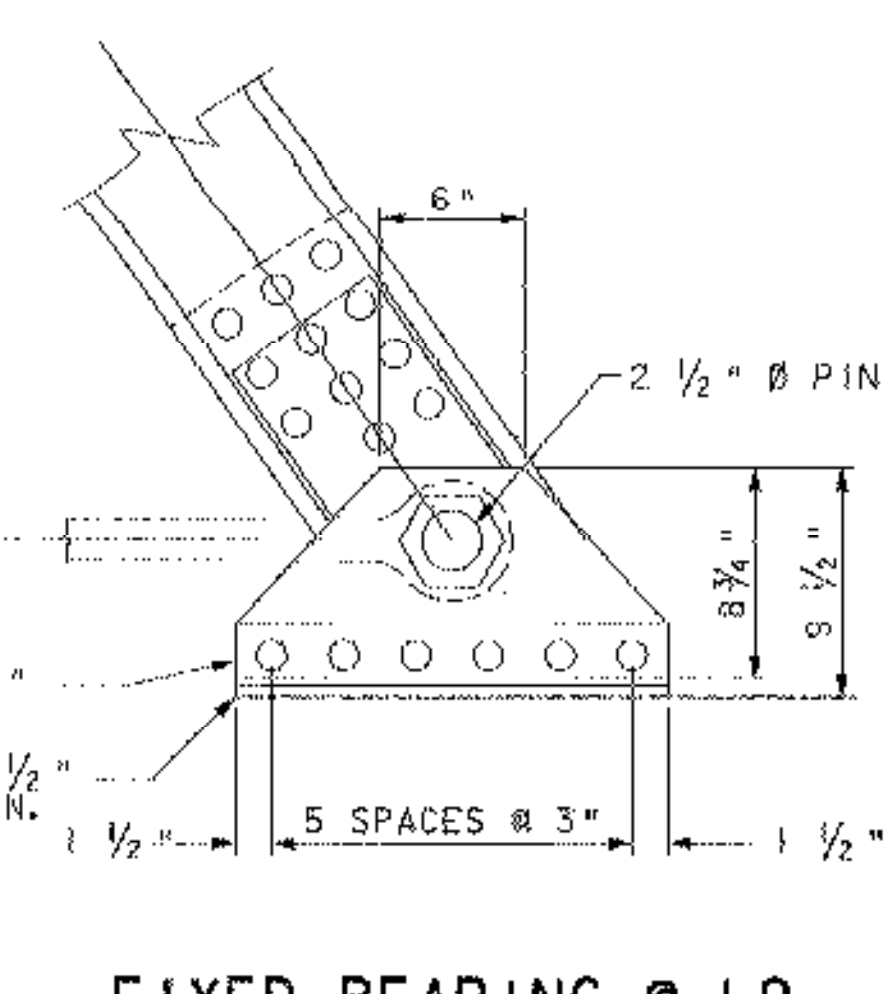
EXISTING CROSS SECTION
SCALE: 3/8" = 1'-0"



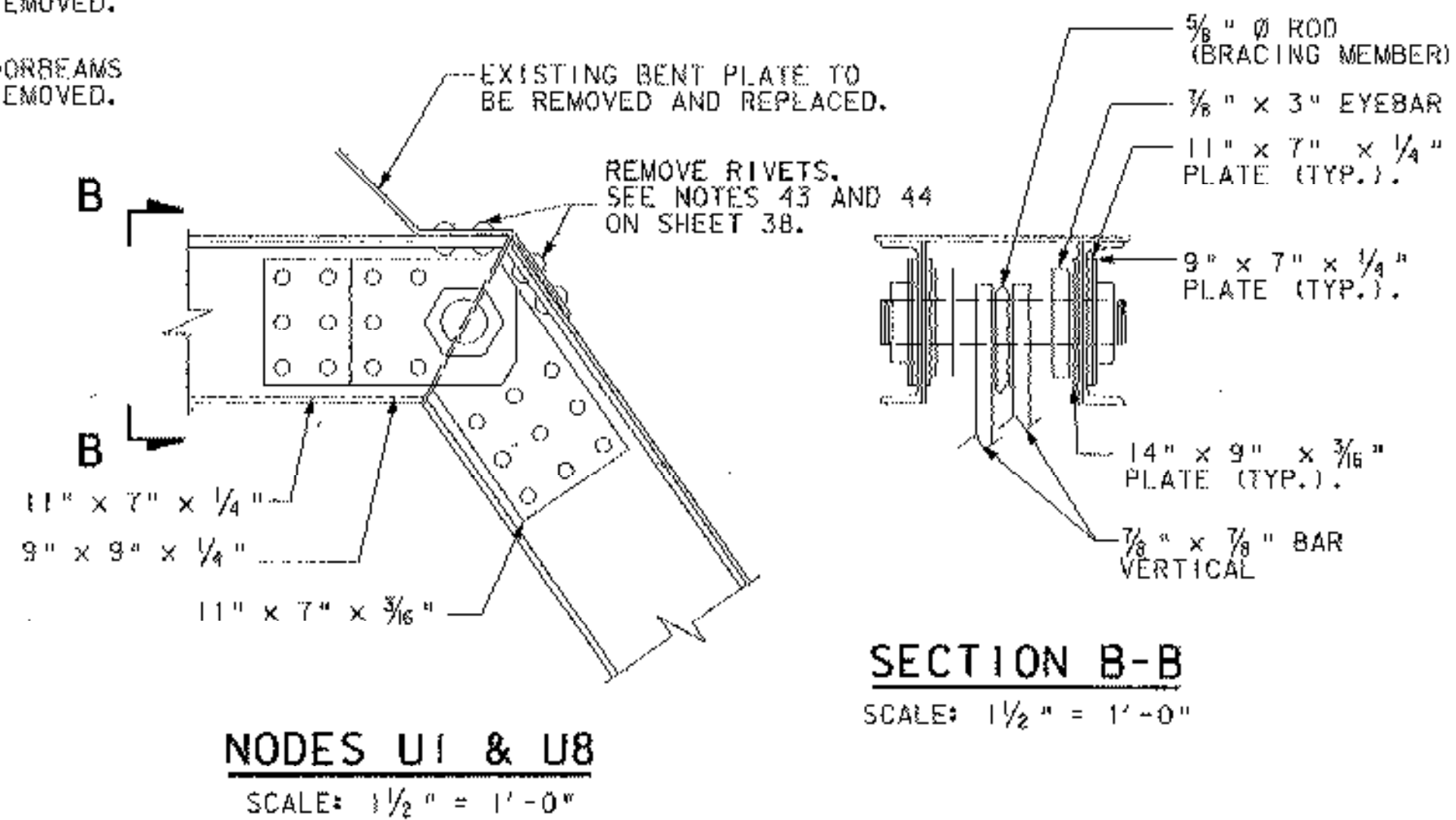
U2, U3, U6 & U7
SCALE: 1/2" = 1'-0"



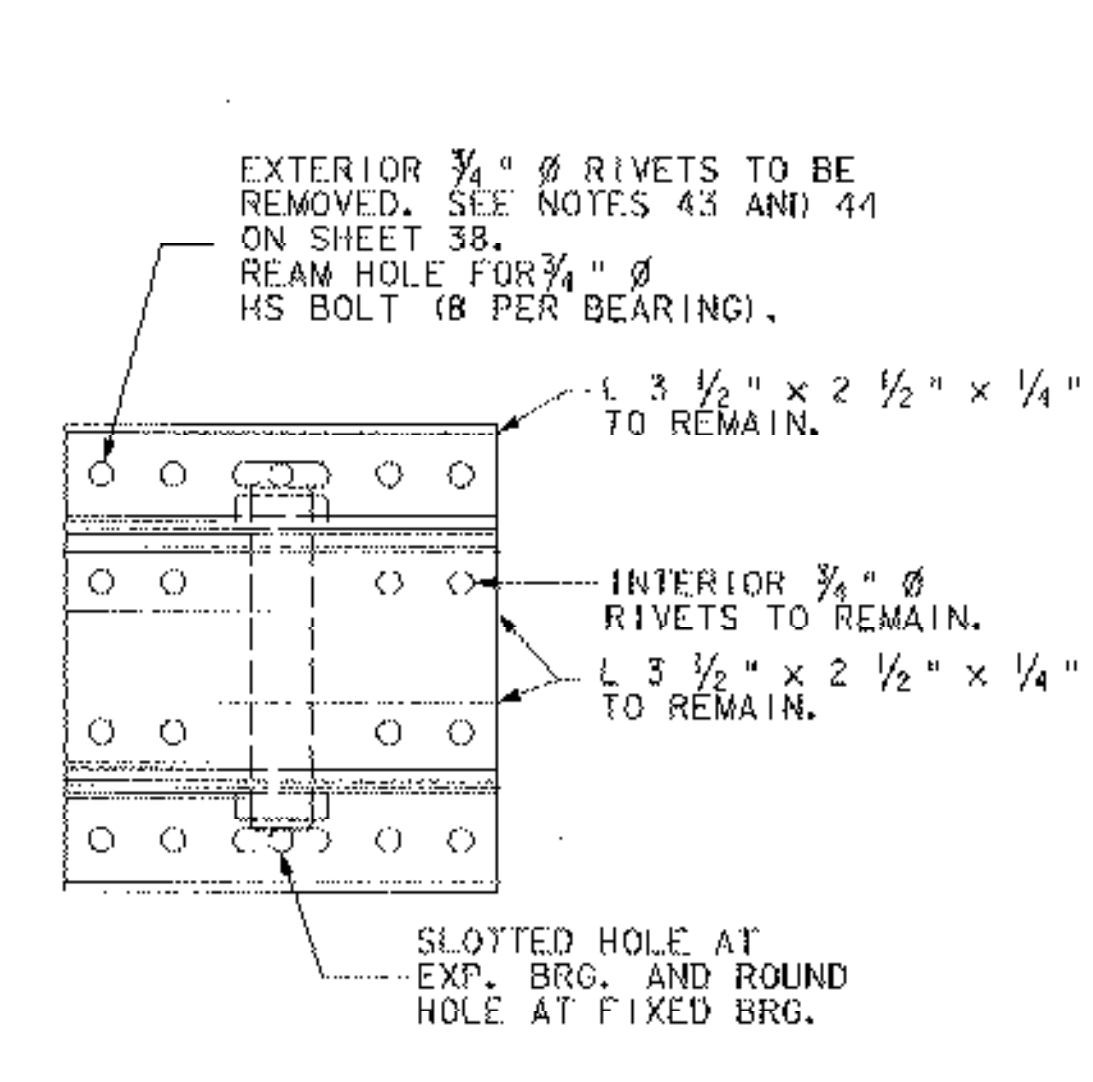
U4 & U5
SCALE: 1/2" = 1'-0"



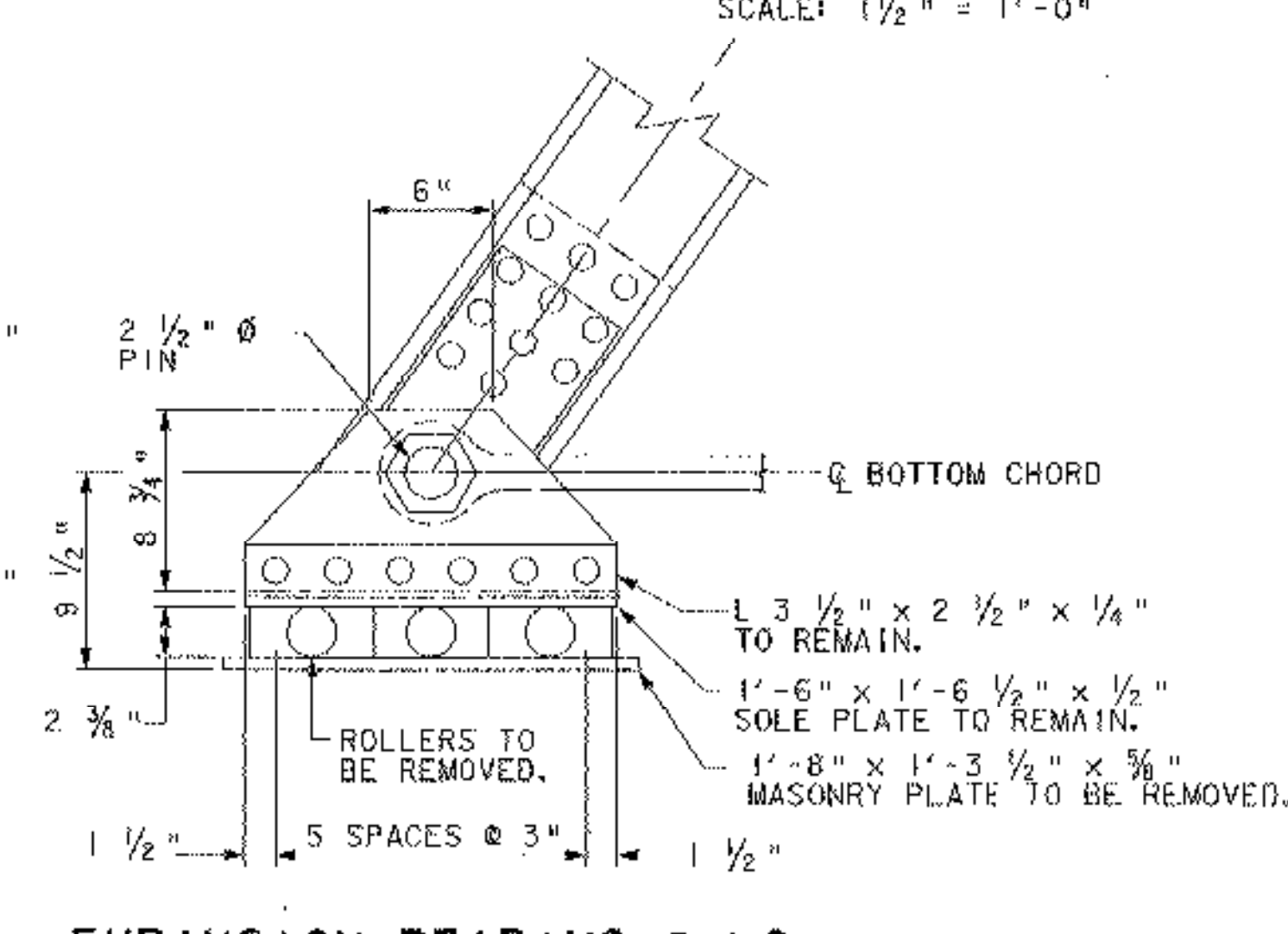
FIXED BEARING @ L9
SCALE: 1/2" = 1'-0"



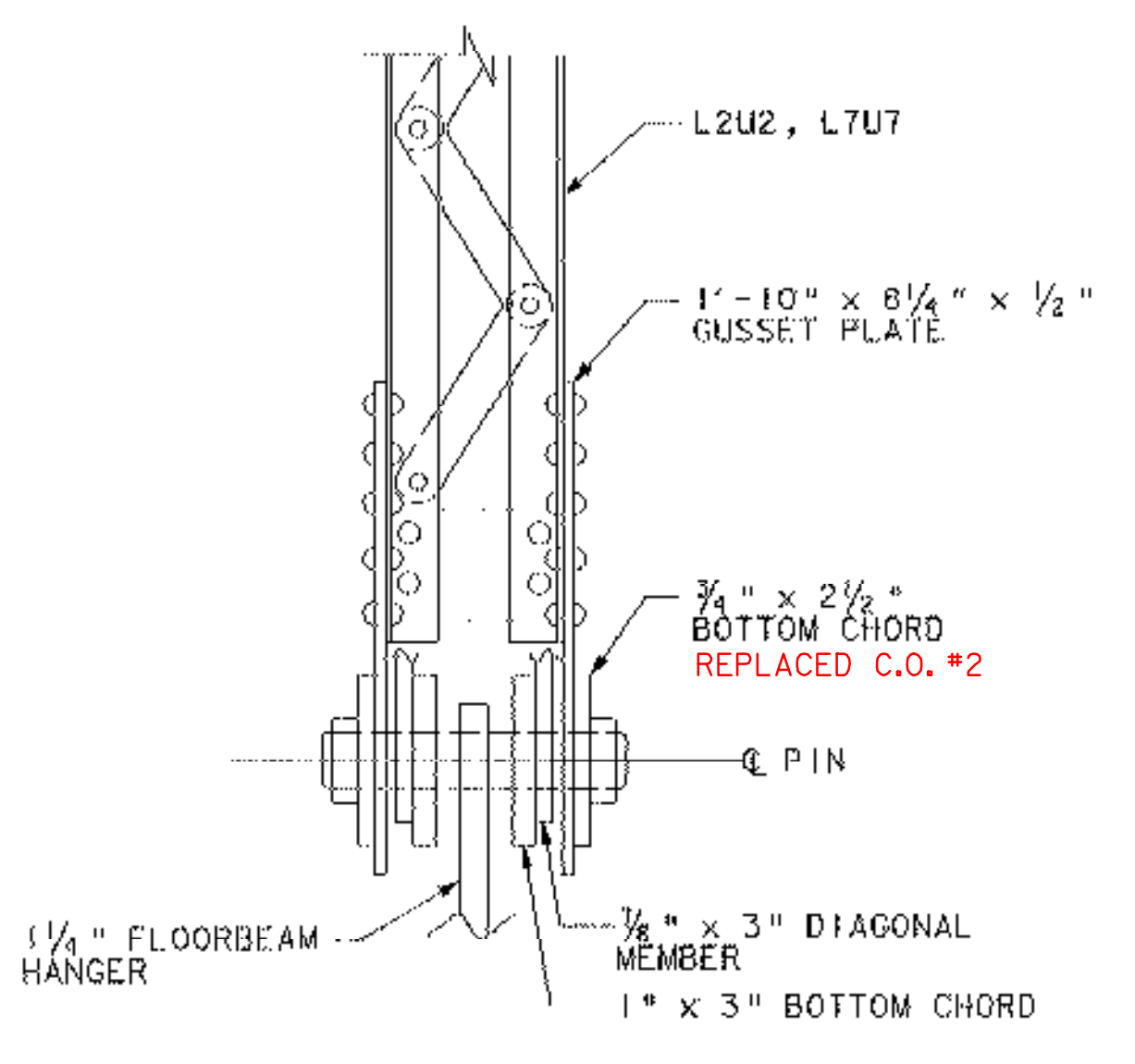
NODES U1 & U8
SCALE: 1/2" = 1'-0"



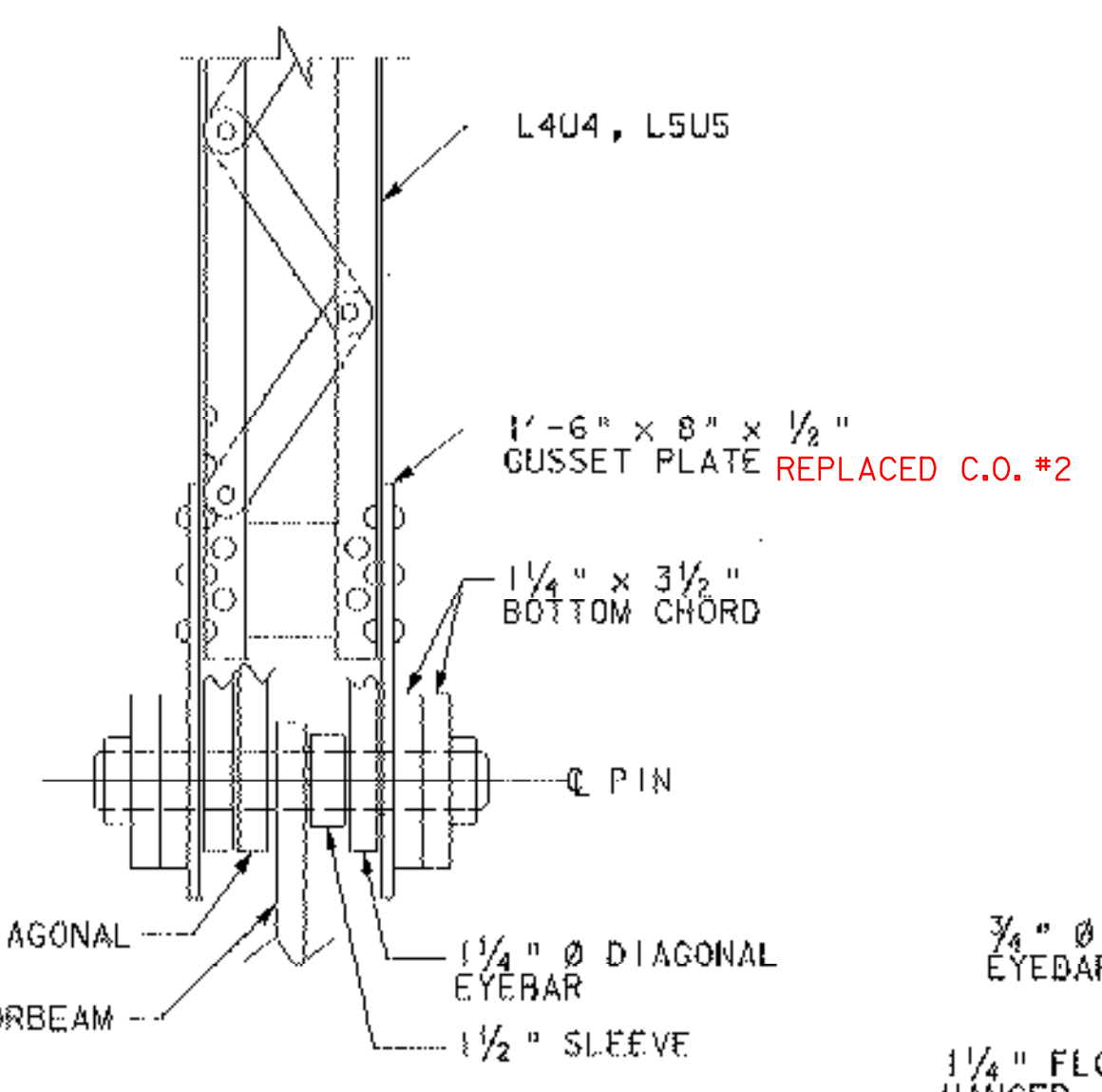
PLAN VIEW OF BEARING
SCALE: 1/2" = 1'-0"



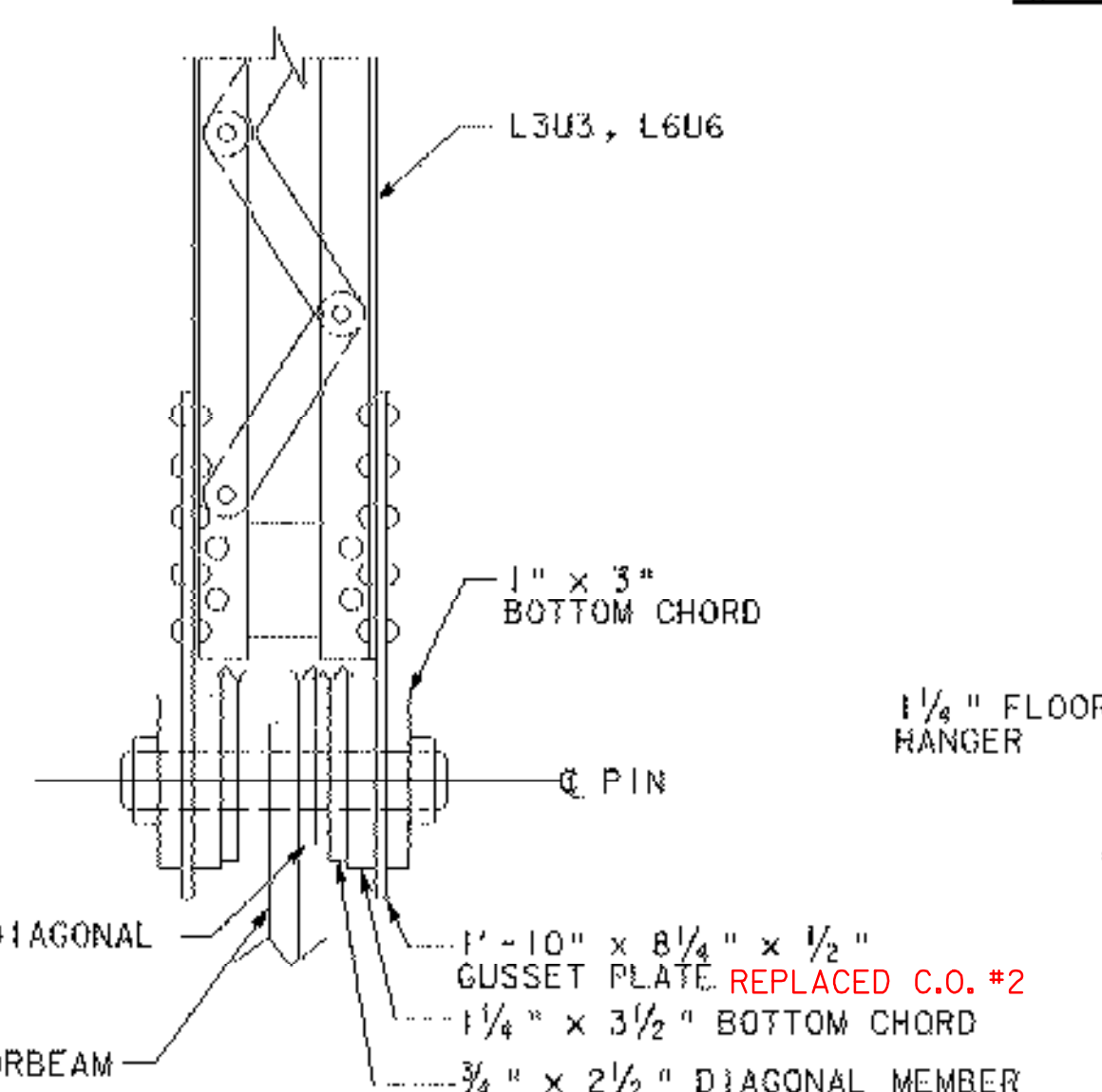
EXPANSION BEARING @ L0
SCALE: 1/2" = 1'-0"



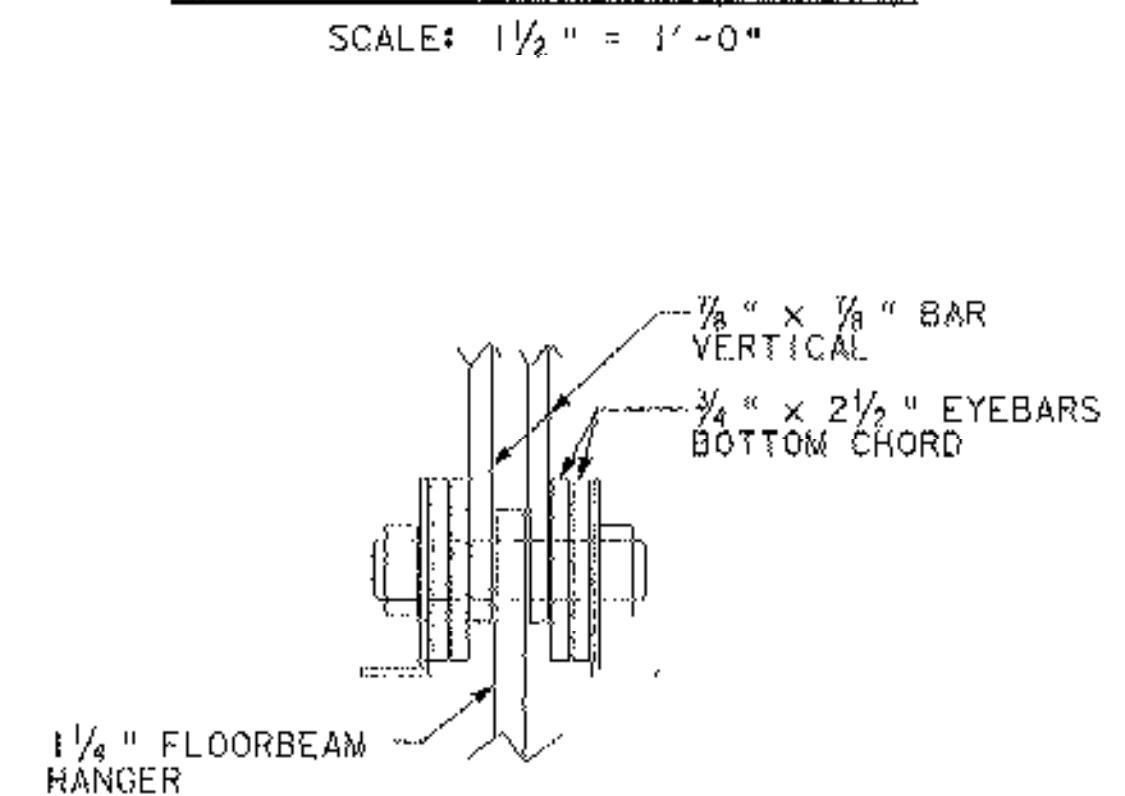
NODES L2 & L7
SCALE: 1/2" = 1'-0"



NODES L4 & L5
SCALE: 1/2" = 1'-0"



NODES L3 & L6
SCALE: 1/2" = 1'-0"



NODES L1 & L8
SCALE: 1/2" = 1'-0"

NOTE: ALL INFORMATION SHOWN IS FOR EXISTING STRUCTURE. DIMENSIONS, ANGLES, AND ELEVATIONS OF THE EXISTING STRUCTURE SHOWN ON THESE PLANS ARE FOR GENERAL REFERENCE ONLY. THEY HAVE BEEN TAKEN FROM LIMITED FIELD INVESTIGATION AND ARE NOT GUARANTEED. THE CONTRACTOR SHALL VERIFY THE EXISTING MEASUREMENTS PRIOR TO STARTING THE WORK. THE CONTRACTOR SHALL TAKE ALL FIELD MEASUREMENTS NECESSARY TO ASSURE PROPER FIT OF THE FINISHED WORK AND SHALL ASSUME FULL RESPONSIBILITY FOR THEIR ACCURACY.

STATE OF VERMONT AGENCY OF TRANSPORTATION		
Town Of	MAIDSTONE, VT STRATFORD, NH	Bridge No. 1
Highway No.	MAIDSTONE STATE HWY	Log Sta. Surv. Sta.
EXISTING STRUCTURE 2		
Designed By	J. MESSIER	Drawn By C. DONOHUE
Checked By	D.B. SULLIVAN	Bridge Design Supervisor
PROJECT	MAIDSTONE-STRATFORD	PROJECT NO. BHQ 1447 (24)
I.G.C. Info.		Bridge Sheet No.
		Sheet 44 of 65



13 AUG 2003 11:20:07 P:\cadd\gdm\zve\05res22.gpr