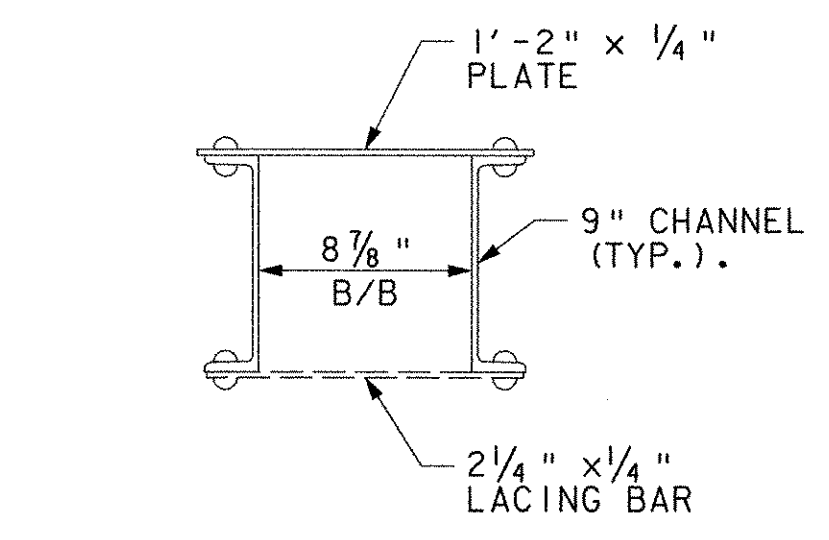
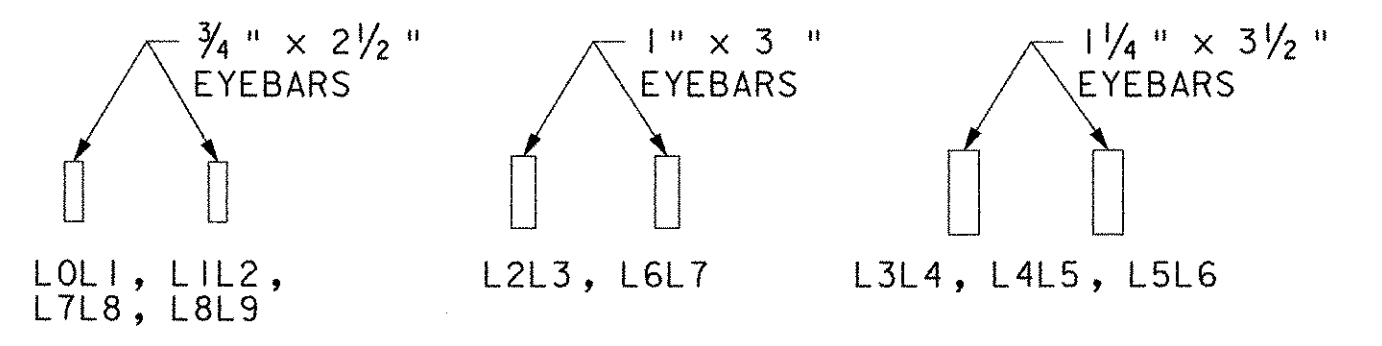


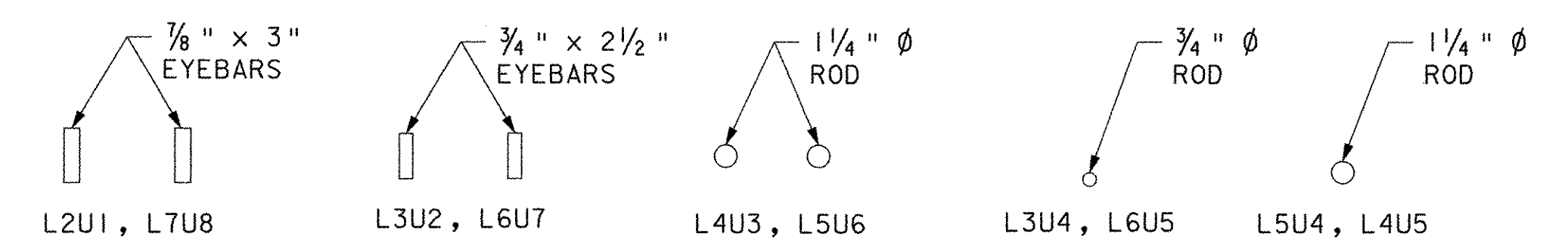
FRAMING PLAN
SCALE: 1" = 10'



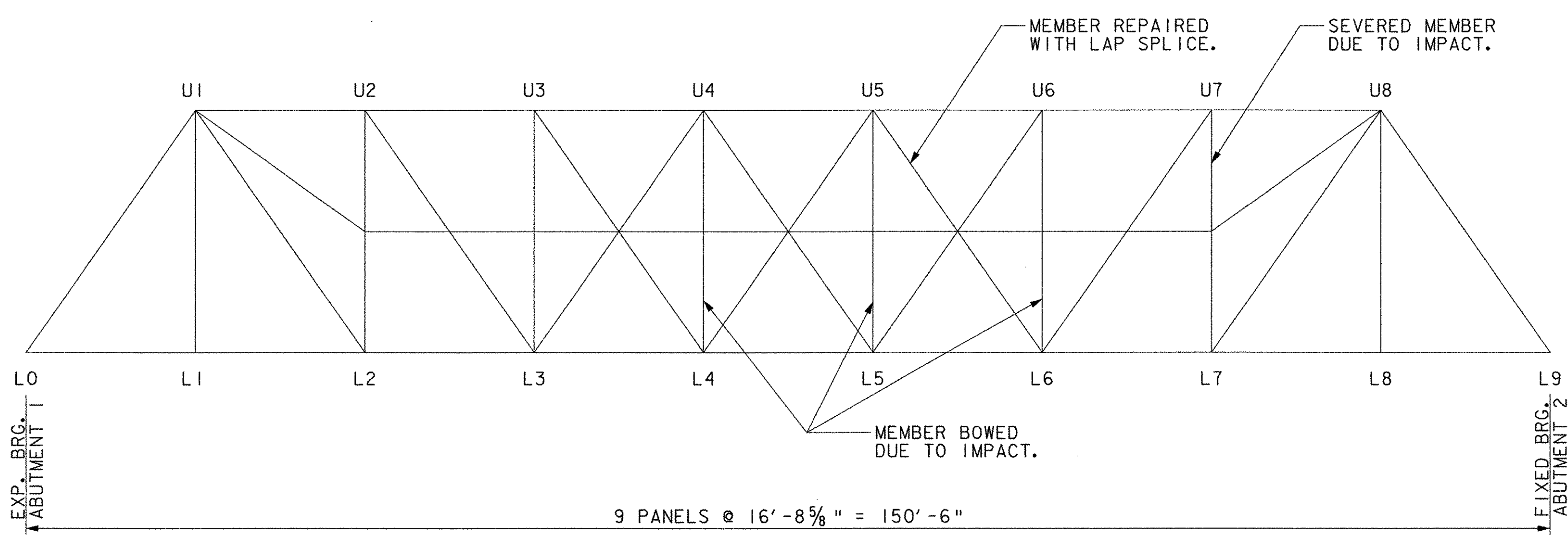
TOP CHORD AND INCLINED END POSTS
SCALE: 1/2" = 1'-0"



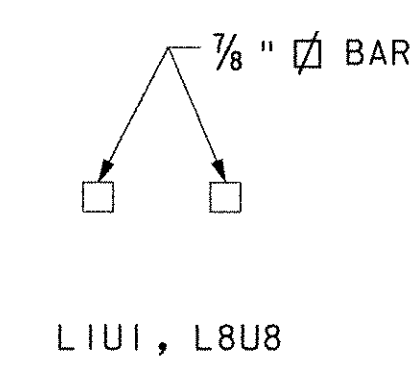
BOTTOM CHORD
SCALE: 1/2" = 1'-0"



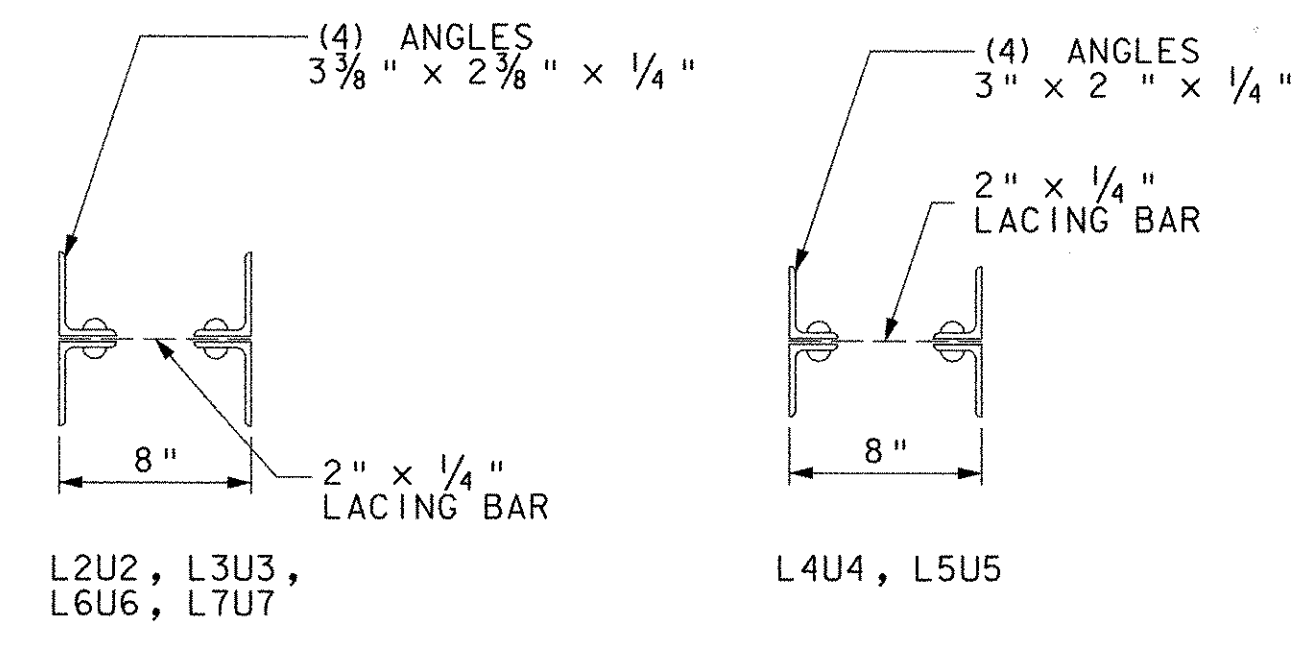
DIAGONALS
SCALE: 1/2" = 1'-0"



NORTH TRUSS ELEVATION
SCALE: 1" = 10'



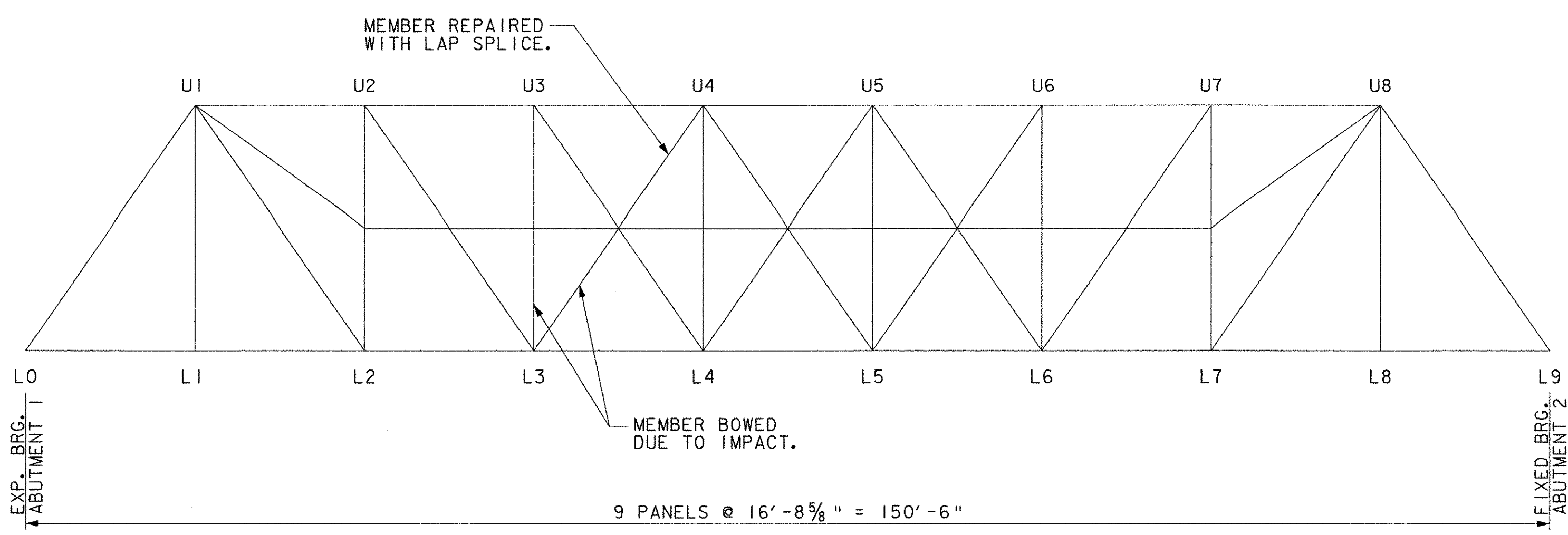
LIU1, L8U8



L2U2, L3U3, L6U6, L7U7

L4U4, L5U5

VERTICALS
SCALE: 1/2" = 1'-0"



SOUTH TRUSS ELEVATION
SCALE: 1" = 10'

APPROXIMATE EXISTING STRUCTURE WEIGHTS:
 1 TRUSS - 16 KIPS
 PORTALS AND UPPER SWAY BRACING - 3 KIPS
 FLOOR BEAMS - 10 KIPS
 STRINGERS - 20 KIPS
 LOWER SWAY BRACING - 2 KIPS

NOTE: ALL INFORMATION SHOWN IS FOR EXISTING STRUCTURE. DIMENSIONS, ANGLES, AND ELEVATIONS OF THE EXISTING STRUCTURE SHOWN ON THESE PLANS ARE FOR GENERAL REFERENCE ONLY. THEY HAVE BEEN TAKEN FROM LIMITED FIELD INVESTIGATION AND ARE NOT GUARANTEED. THE CONTRACTOR SHALL VERIFY THE EXISTING MEASUREMENTS PRIOR TO STARTING THE WORK. THE CONTRACTOR SHALL TAKE ALL FIELD MEASUREMENTS NECESSARY TO ASSURE PROPER FIT OF THE FINISHED WORK AND SHALL ASSUME FULL RESPONSIBILITY FOR THEIR ACCURACY.

STATE OF VERMONT AGENCY OF TRANSPORTATION		
Town Of	MAIDSTONE, VT STRATFORD, NH	Bridge No. 1
Highway No.	MAIDSTONE STATE HWY	Log Sta. Surv. Sta.
EXISTING STRUCTURE I		
Designed By	J. MESSIER	Drawn By C. DONOHUE
Checked By	Date	Bridge Design Supervisor
D.B. SULLIVAN	08/01/03	Date
PROJECT	MAIDSTONE-STRATFORD	PROJECT NO. BHO 1447 (24)
I.G.C. Info.		
Bridge Sheet No.	Sheet 43 of 65	



B:\2077\cecd\vgm\ze054esi.dgn 3 AUG 2003