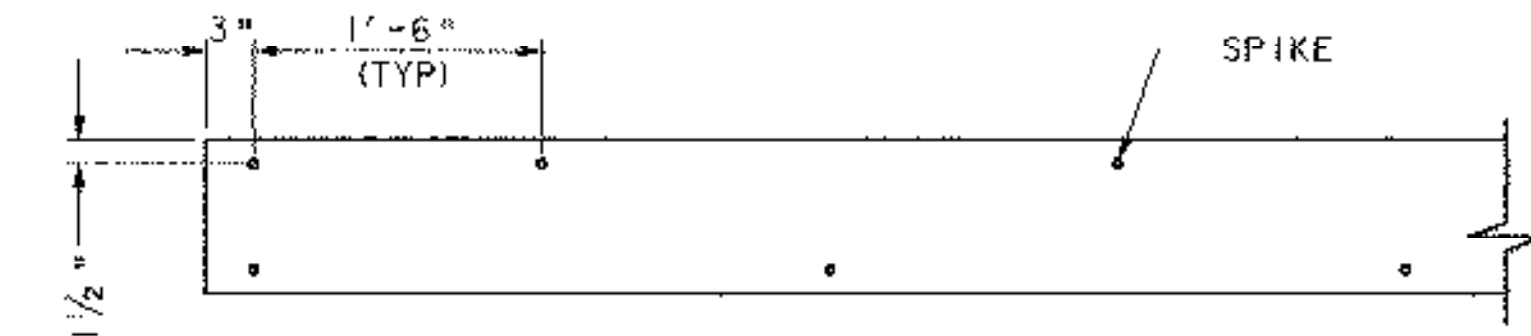


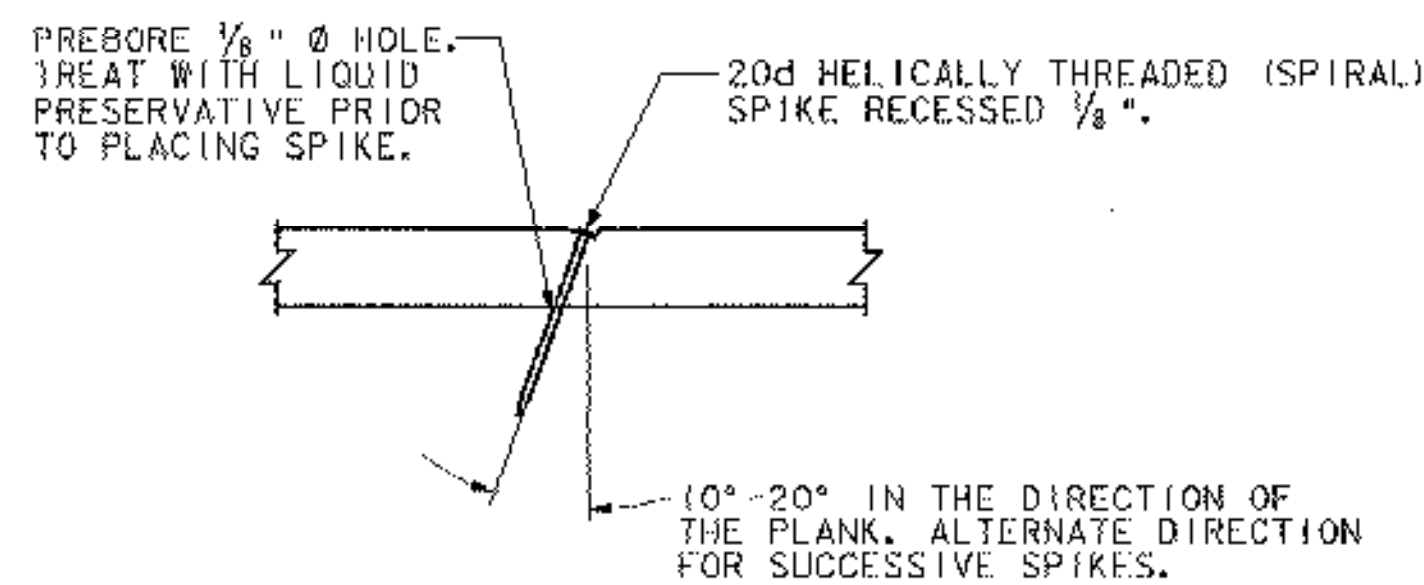
TIMBER OVERLAY LAYOUT

SCALE: 1/4" = 1'-0"



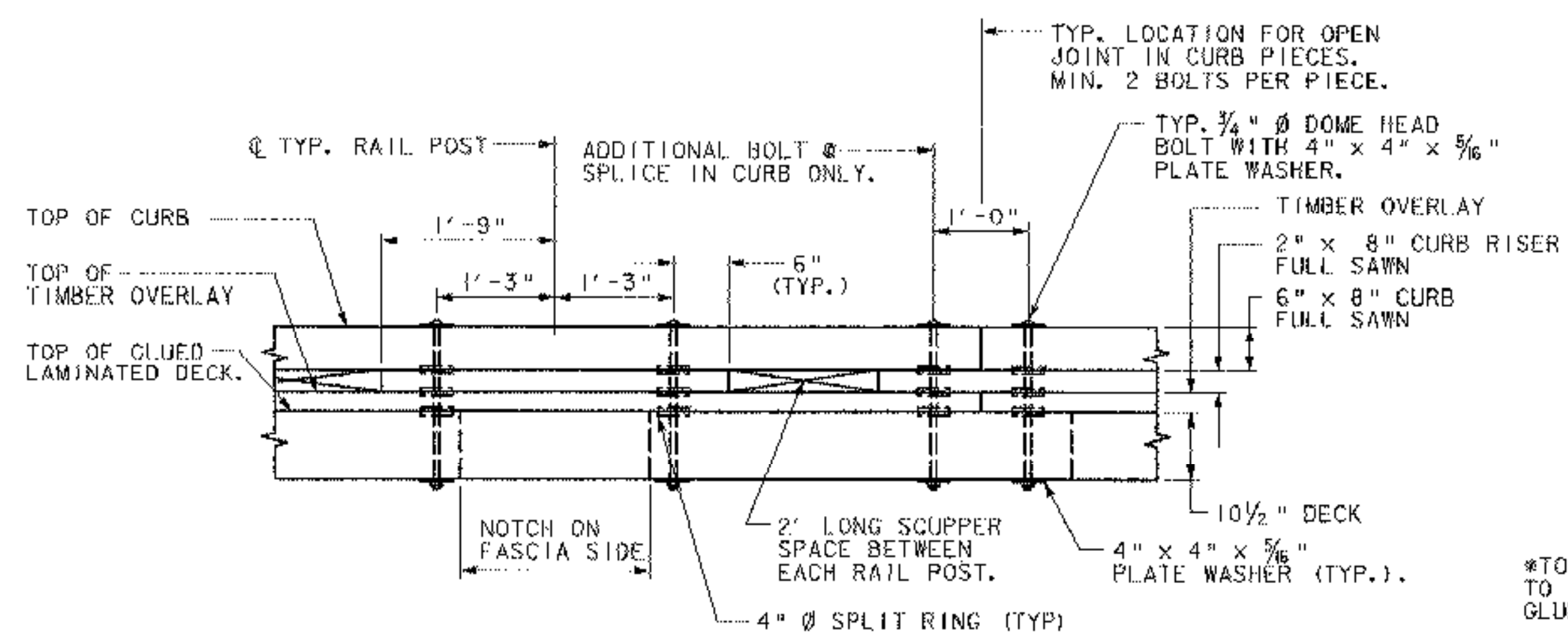
TIMBER OVERLAY ATTACHMENT PLAN

SCALE: 1" = 1'-0"



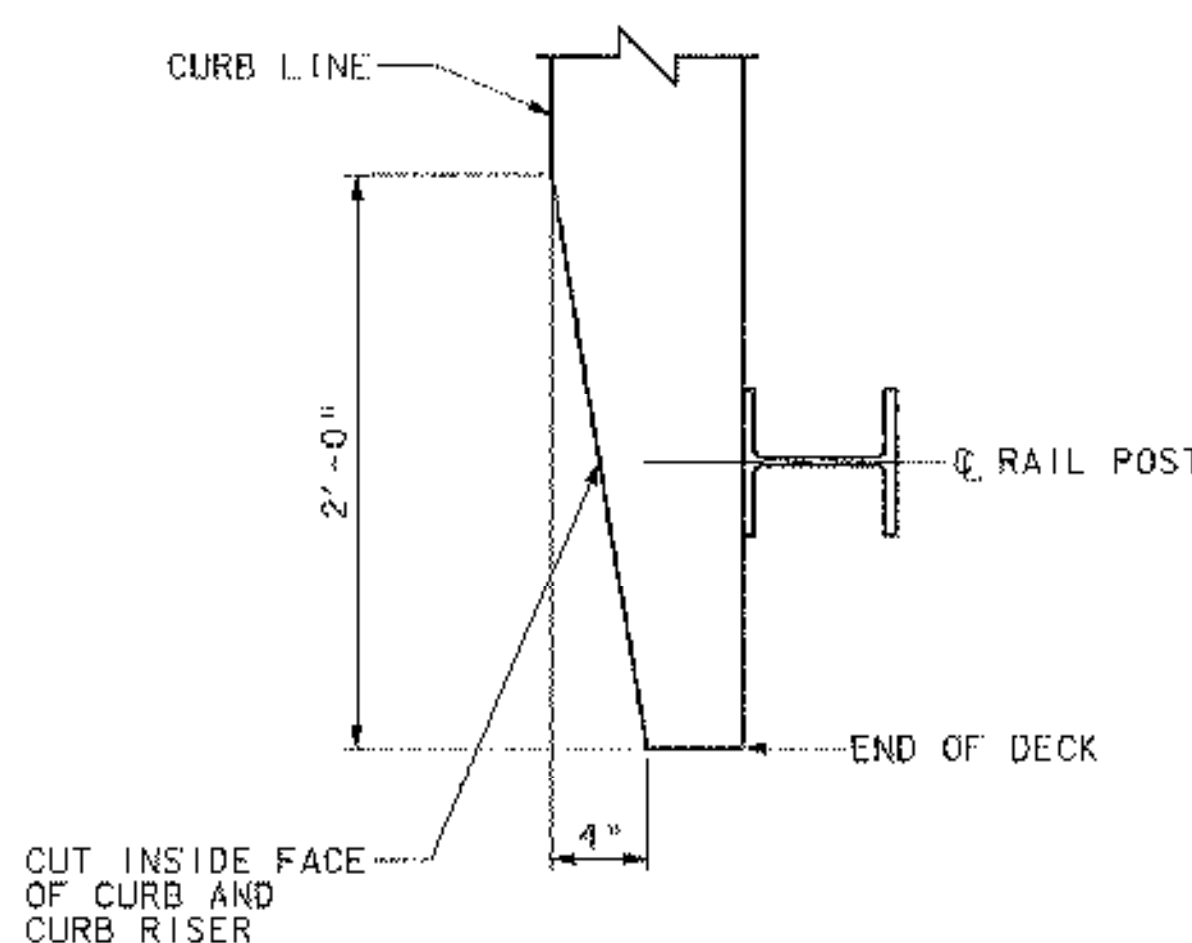
TIMBER OVERLAY ATTACHMENT DETAIL

SCALE: 3" = 1'-0"



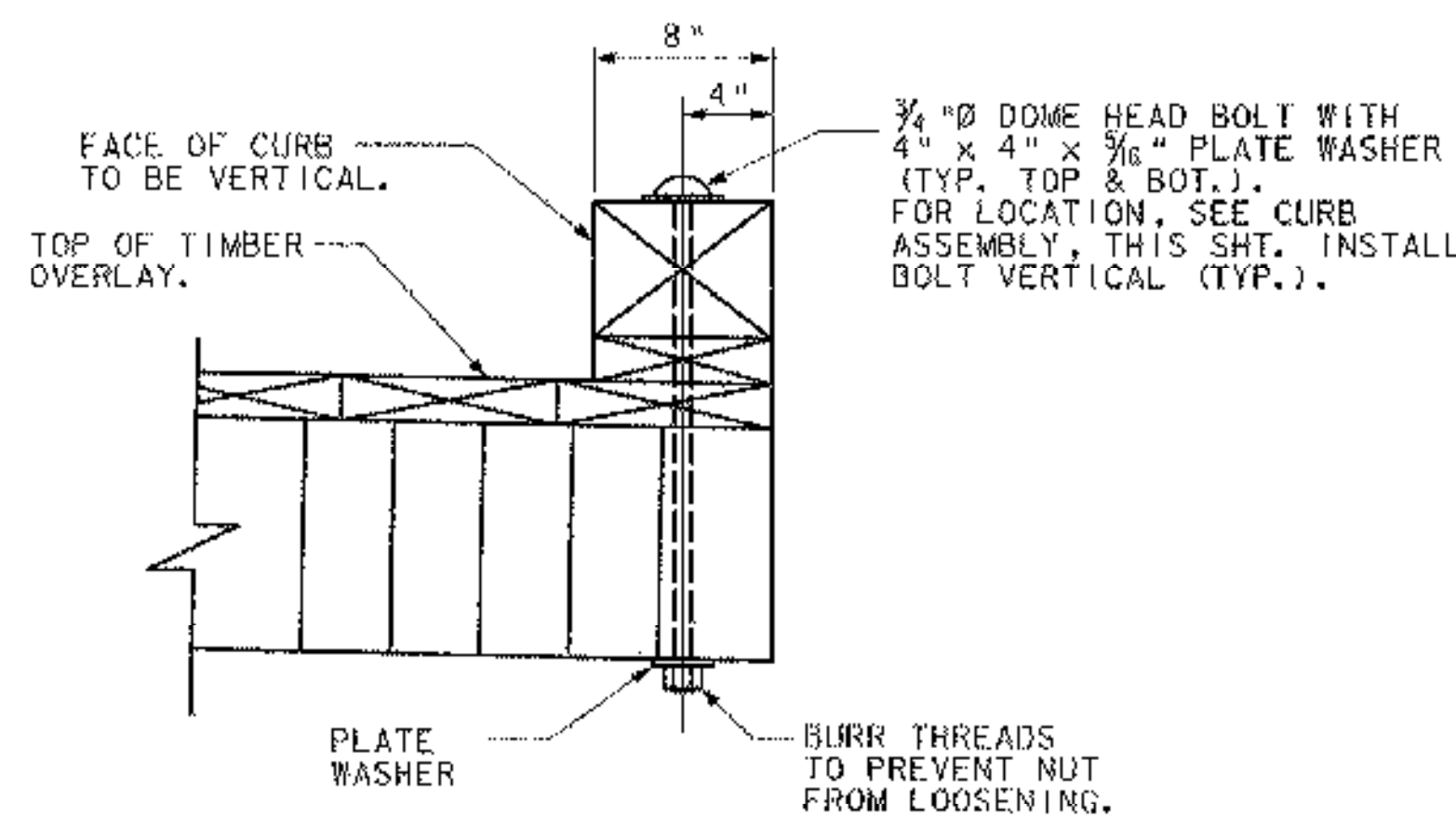
ELEVATION OF CURB ASSEMBLY

N. T. S.



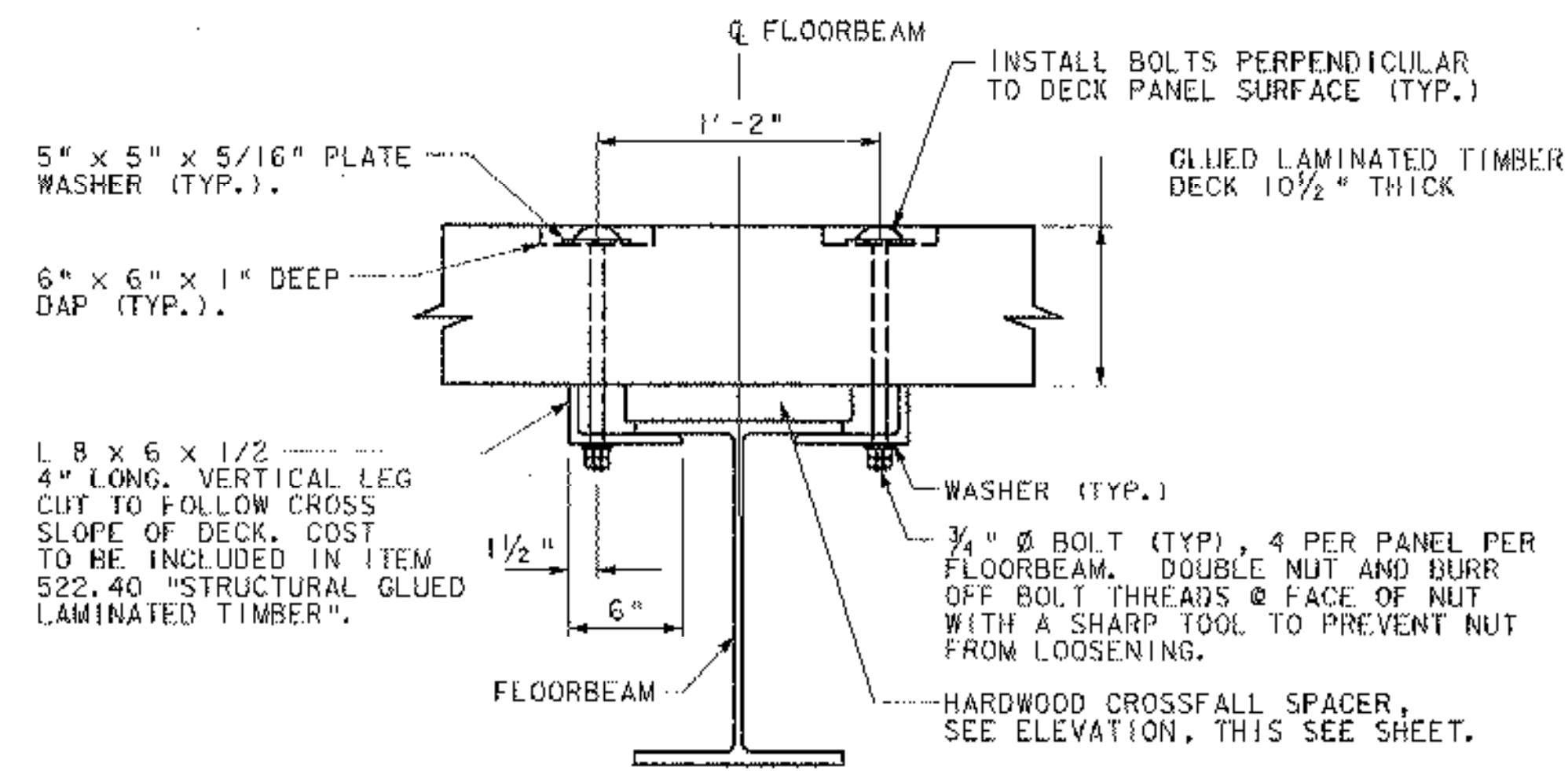
CURB TREATMENT AT ABUTMENT 2

SCALE: 1 1/2" = 1'-0"



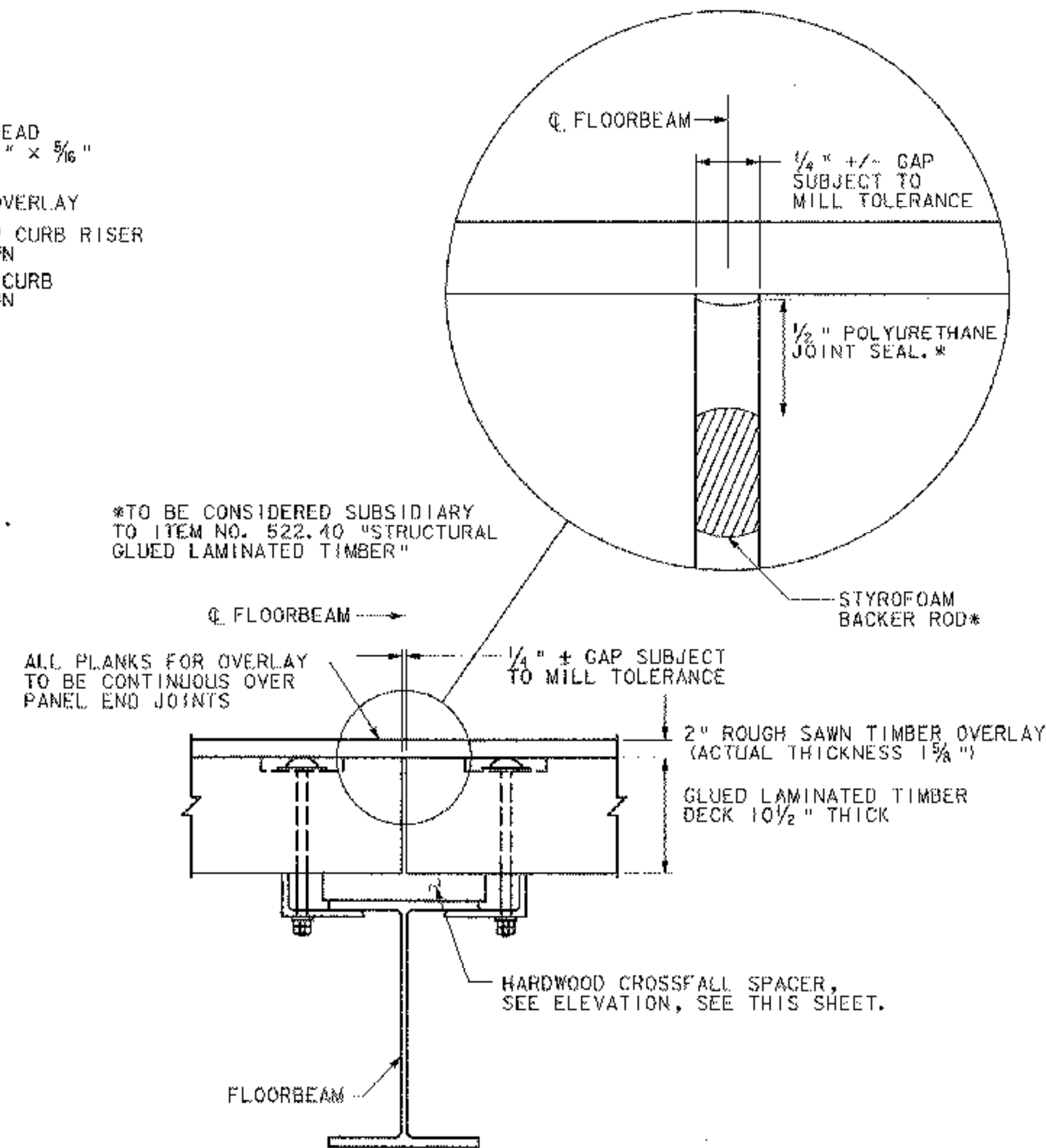
CURB TO DECK ATTACHMENT

SCALE: 1 1/2" = 1'-0"



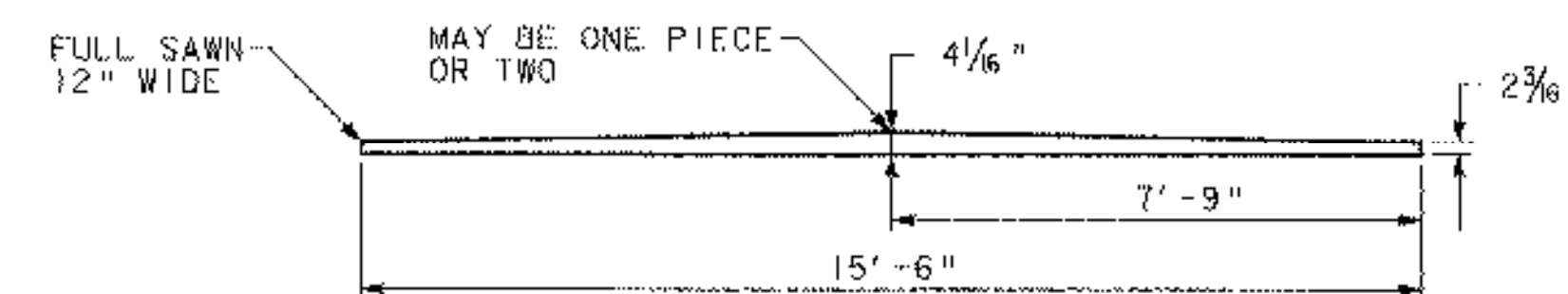
DECK TO FLOORBEAM CONNECTION

N. T. S.



DECK PANEL END JOINT DETAIL

N. T. S.



HARDWOOD CROSSFALL SPACER

SCALE: 3/8" = 1'-0"

BOLTED TO FLOOR BEAMS W/ 6 1/2" CARRIAGE BOLTS

STATE OF VERMONT AGENCY OF TRANSPORTATION

Town Of	MAIDSTONE, VT	Bridge No. 1
	STRATFORD, NH	Log Sta.
Highway No.	MAIDSTONE STATE HWY	Surv. Sta.

DECK DETAILS - SPAN 2

Designed By	J. MESSIER	Drawn By	C. DONOHUE
Checked By	Date	Bridge Design Supervisor	Date
D. B. SULLIVAN	08/01/03		

PROJECT	MAIDSTONE-STRATFORD	PROJECT NO.	BRO 1447 (24)
---------	---------------------	-------------	---------------

I.C.C. Info.		Sheet	42 of 65
Bridge Sheet No.			



13 AUG 2003 P:\2007\T\cadd\sgm\zad050404.dgn