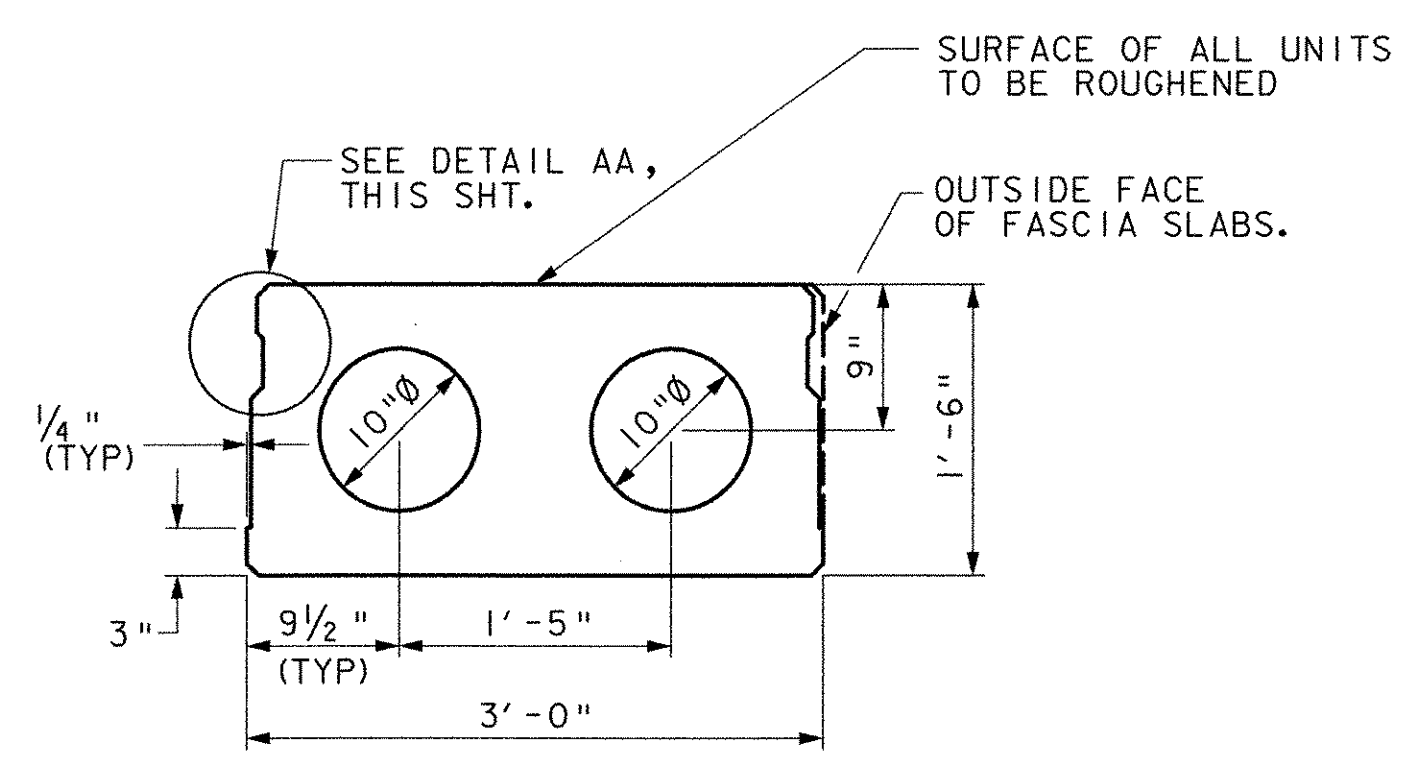
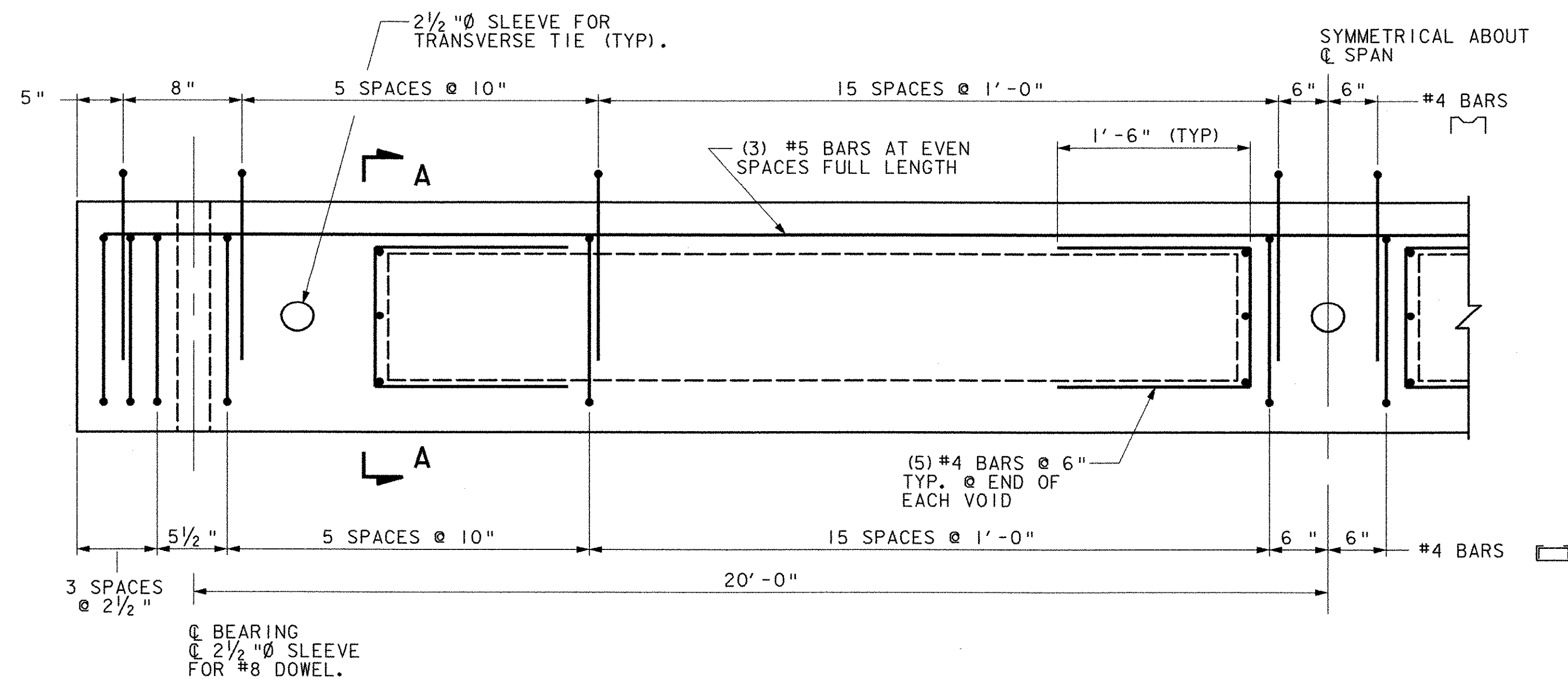
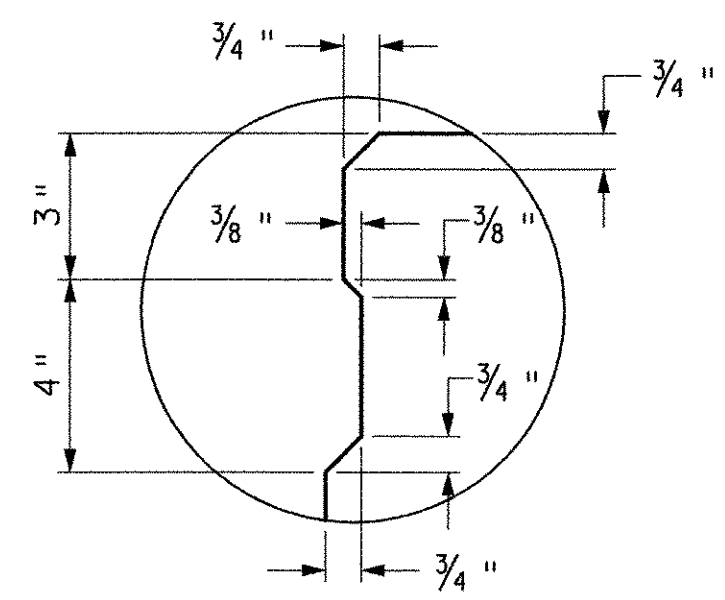
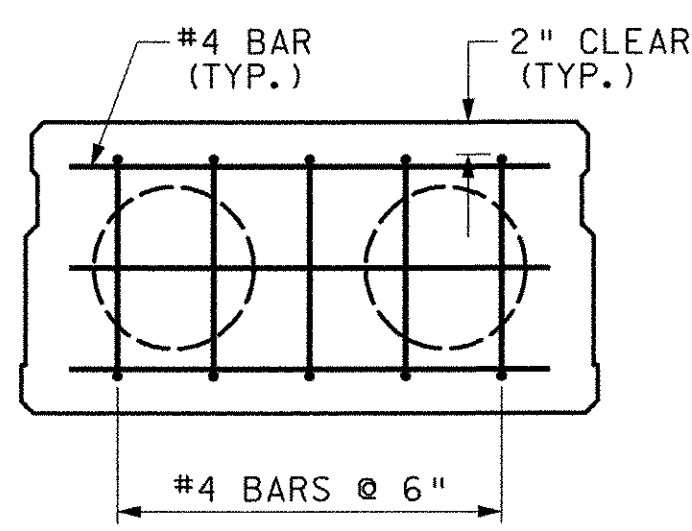


NOTE:
SEE SHT. 47,
FOR BEARING DETAILS.



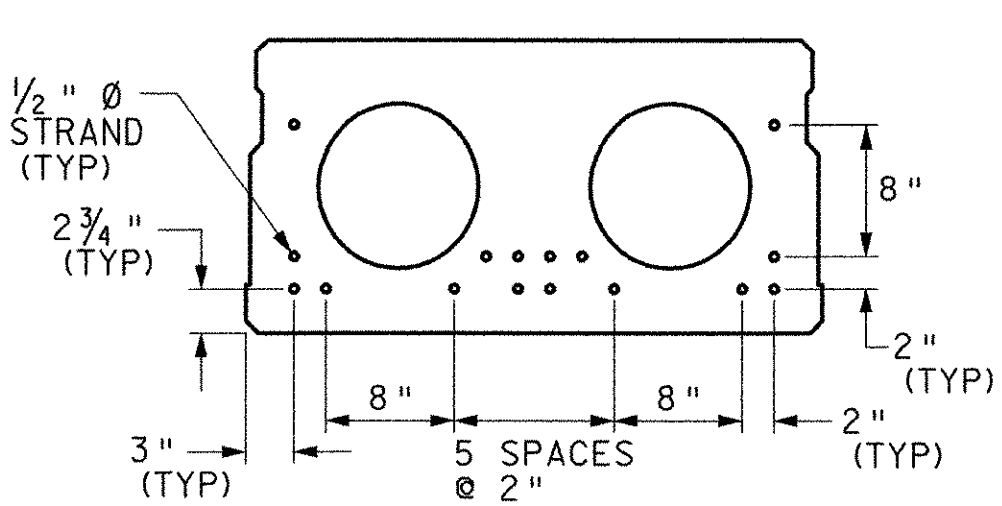
18" x 36" VOIDED SLAB
SCALE: 1" = 1'-0"



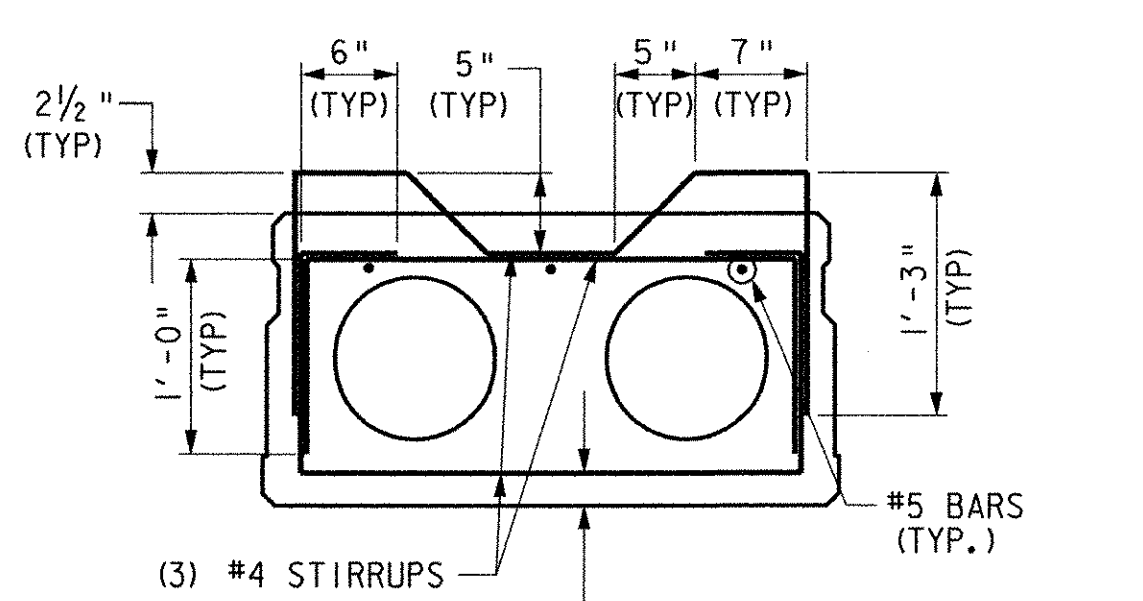
APPROXIMATE WEIGHT PER BEAM 21,900 lbs.

REACTIONS PER BEAM		
DL	SDL	LL+I
15.1 k	1.6 k	32.5 k

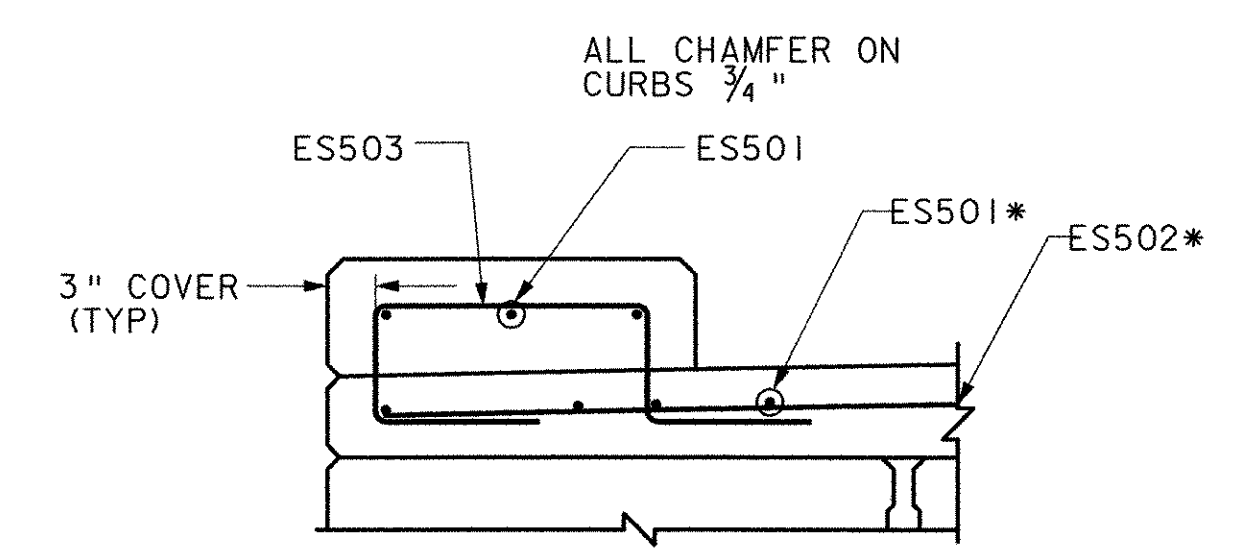
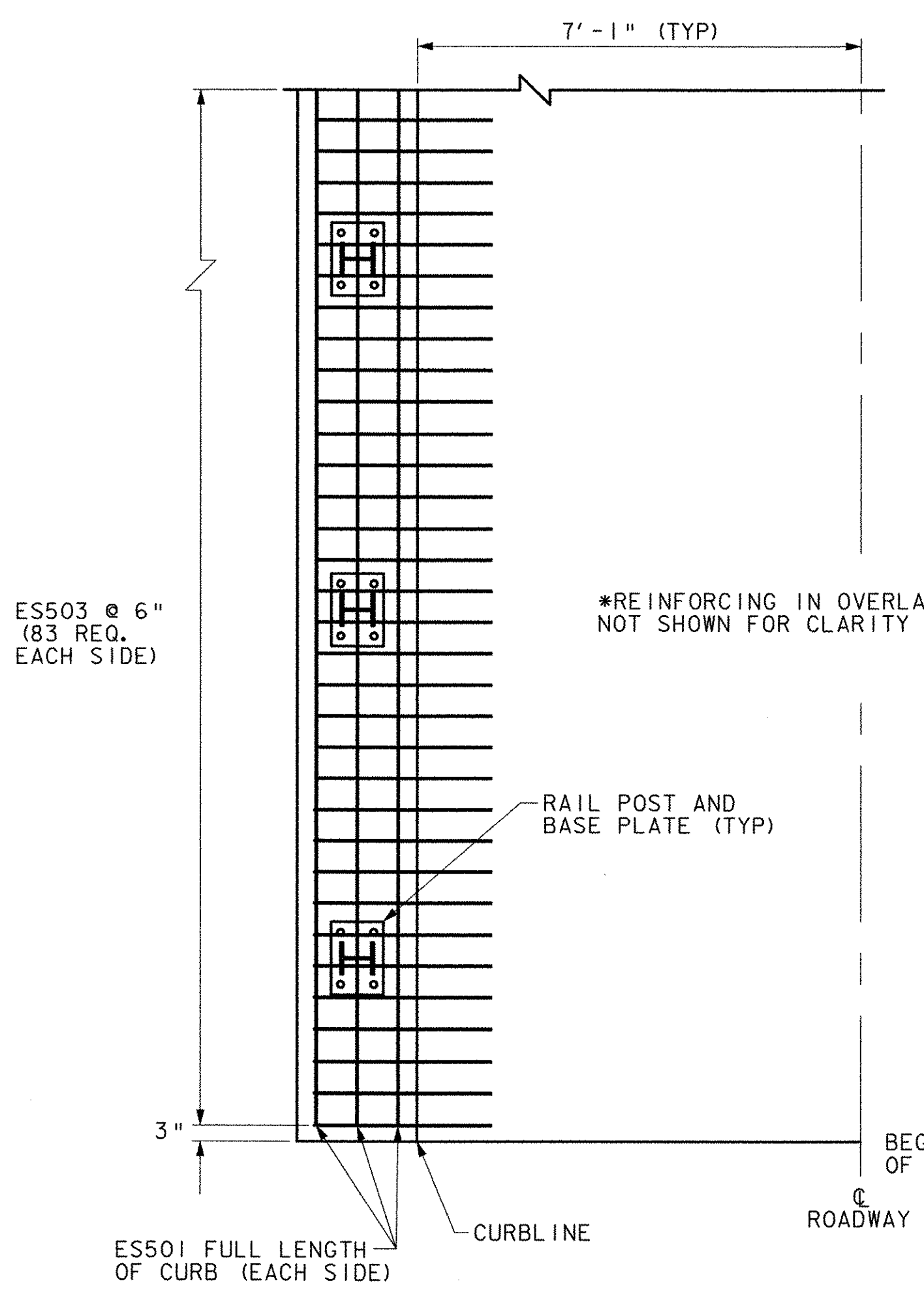
MOMENTS PER BEAM		
DL	SDL	LL+I
151 ft-k	16 ft-k	177 ft-k



18" x 36" VOIDED SLAB
STRAND LAYOUT
SCALE: 1" = 1'-0"



18" x 36" VOIDED SLAB
REINFORCEMENT LAYOUT
SCALE: 1" = 1'-0"



STATE OF VERMONT
AGENCY OF TRANSPORTATION

Town Of MAIDSTONE, VT STRATFORD, NH
Highway No. MAIDSTONE STATE HWY
Bridge No. 1
Log Sta.
Surv. Sta.

DECK PLAN - SPAN I
Designed By J. MESSIER
Checked By D.B. SULLIVAN
PROJECT MAIDSTONE-STRATFORD
Bridge Sheet No.
Drawn By C. DONOHUE
Bridge Design Supervisor
Date 08/01/03
PROJECT NO. BHO 1447 (24)
Date
PROJECT NO. BHO 1447 (24)
Sheet 39 of 65



3 AUG 2003 p:\207\scadd\gdn\z054dr.klg