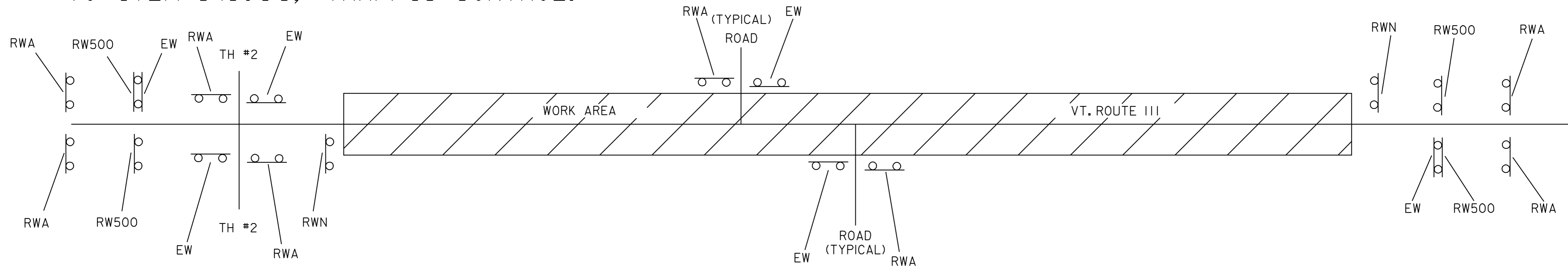


THE CONTRACTOR SHALL INCLUDE A CONSTRUCTION SIGN APPROACH PACKAGE FOR EXPECTED LANE CLOSURES AND WORKZONE SPEED REDUCTIONS IN COMPLIANCE WITH STANDARD E-103. PAYMENT FOR PROVIDING THIS PACKAGE SHALL BE INCIDENTAL TO ITEM 641.10, TRAFFIC CONTROL.



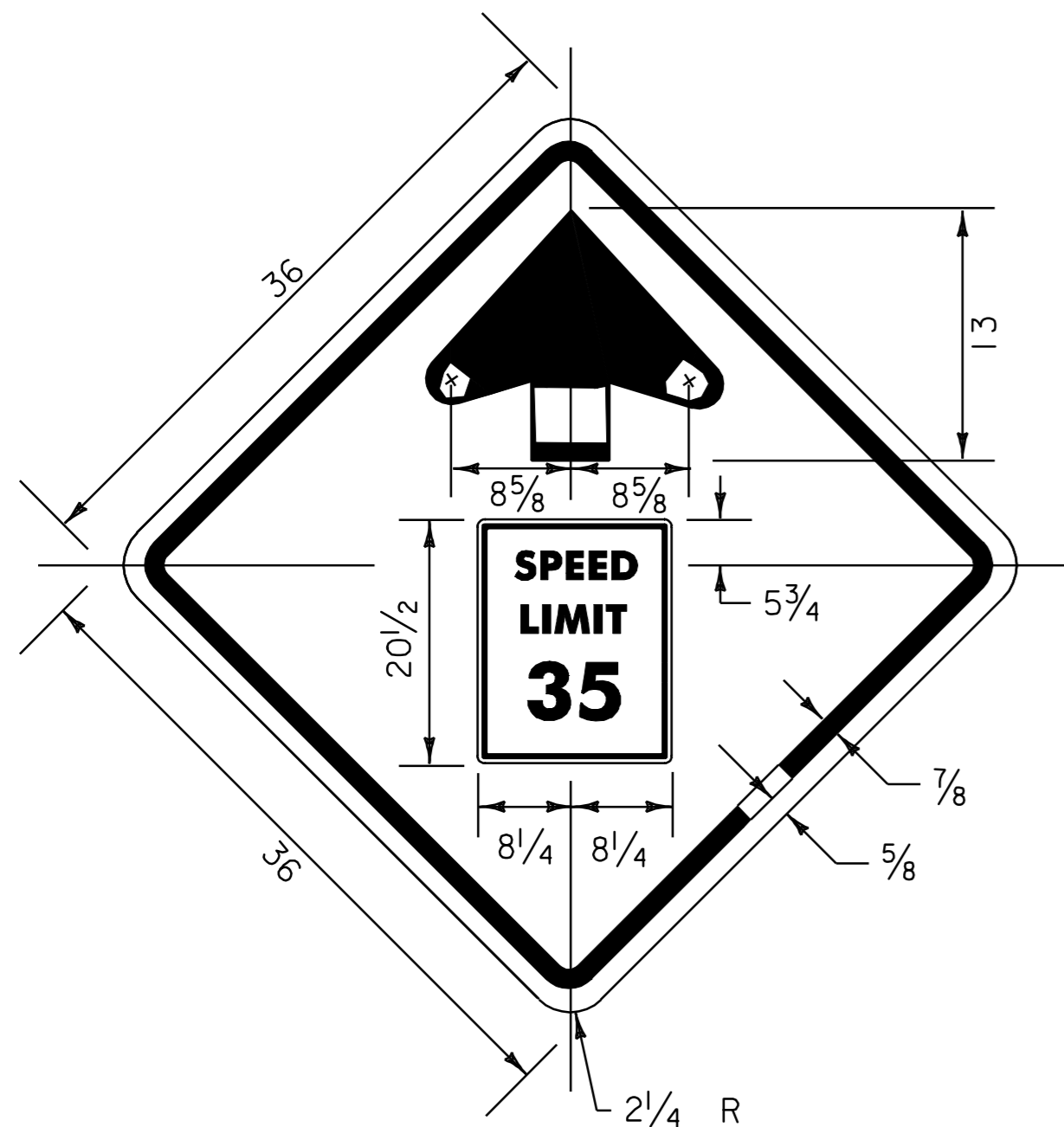
LEGEND
 RWA = ROAD WORK AHEAD
 RW500 = ROAD WORK 500 FEET
 EW = END WORK
 RWN = ROAD WORK NEXT 5/4 MILES

CONSTRUCTION APPROACH SIGNING

SEE STD. E-100 AND E-103 FOR SIGN PLACEMENT
 RESIDENT ENGINEER, AT HIS OR HER DISCRETION, MAY ELIMINATE CONSTRUCTION APPROACH SIGNING AT DEAD END LOCATIONS

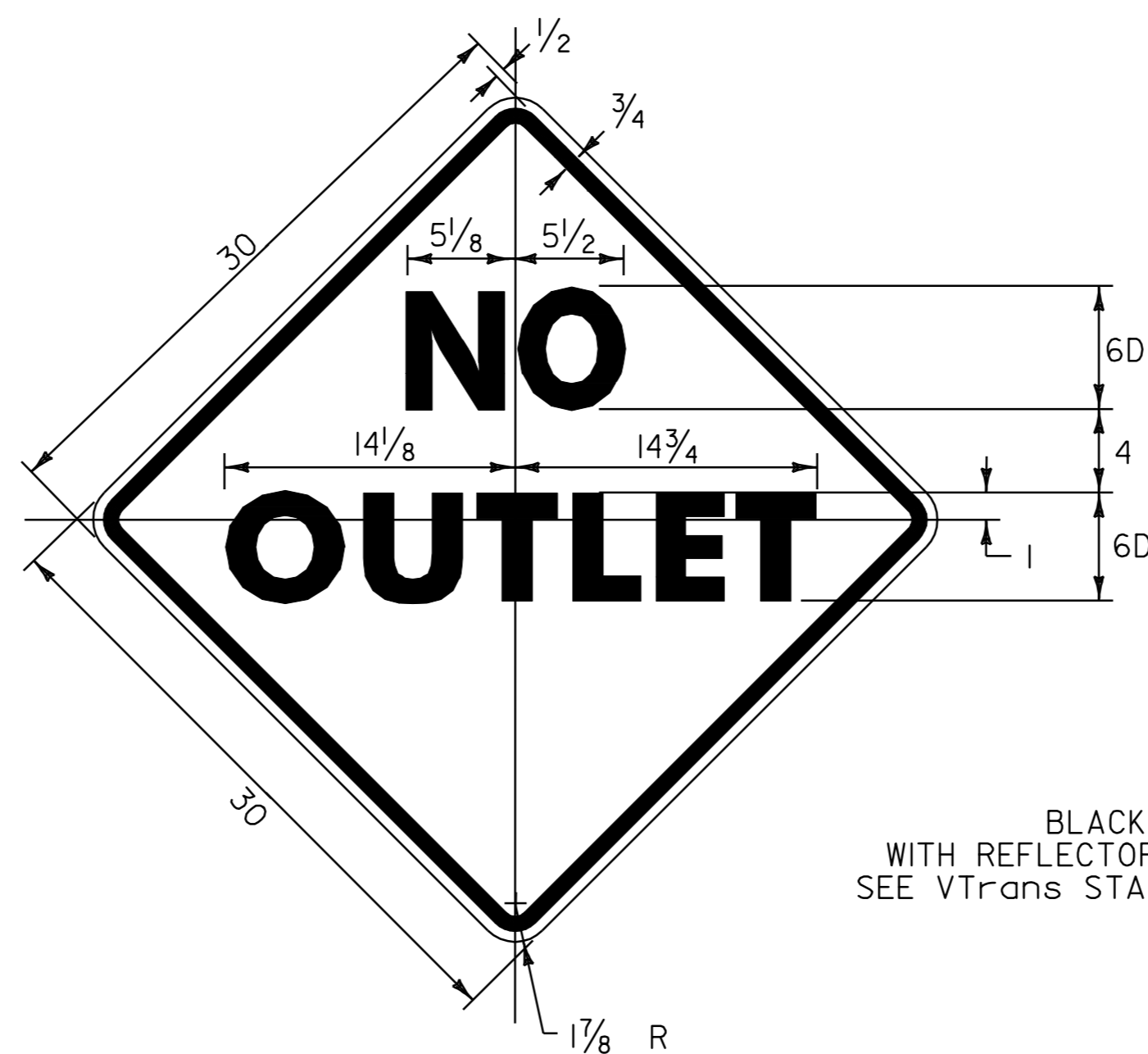
LIST OF CONSTRUCTION SIGNS

TOWN HIGHWAY	RWA	RW500	EW	RWN
MORGAN				
BEGIN PROJECT	2	2		1
TH #2 OLIVER RD.				
TH #2 OLIVER RD.				
TH #11 CHAMPING RD.				
TH #3 E. CHARLESTON RD.				
TH #12 SIMINEAU RD.				
TH #27 OXBOW RD.				
TH #27 OXBOW RD.				
TH #1 E. VALLEY RD.				
TH #30 AHRIENS RD.				
TH #20 WILDWOOD VALLEY RD.				
TH #18				
END PROJECT	2	2		1
TOTALS	15	4	13	2



WARNING SIGN
 COLORS: BORDER & SYMBOL - BLACK (NON-REFL.)
 BACKGROUND - YELLOW (REFL.).
 REFER TO STD. E-151 FOR MATERIALS

SPEED LIMIT INSERT
 COLORS: BORDER & TEXT - BLACK (NON-REFL.)
 BACKGROUND - WHITE (REFL.).



BLACK BORDER & TEXT
 WITH REFLECTORIZED YELLOW BACKGROUND
 SEE VTrans STANDARD E-153 FOR MATERIALS

SIGN DETAILS ARE NOT TO SCALE
 DIMENSIONS ARE INCHES UNLESS OTHERWISE INDICATED

CONSTRUCTION APPROACH
 SIGNING & SIGN
 DETAIL SHEET

DESIGNED BY LFW DATE 6/04
 DRAWN BY LFW DATE 6/04
 DESIGN FILE NO. pave/99c192/99c192.dgn
 PRF FILE 99c192cas.1 DATE PLOTTED 12-MAR-2007 11:3
 PROJ. NAME MORGAN
 PROJ. NO. AC STP 2220(1)S
 SHEET 61 OF 61 SHEETS