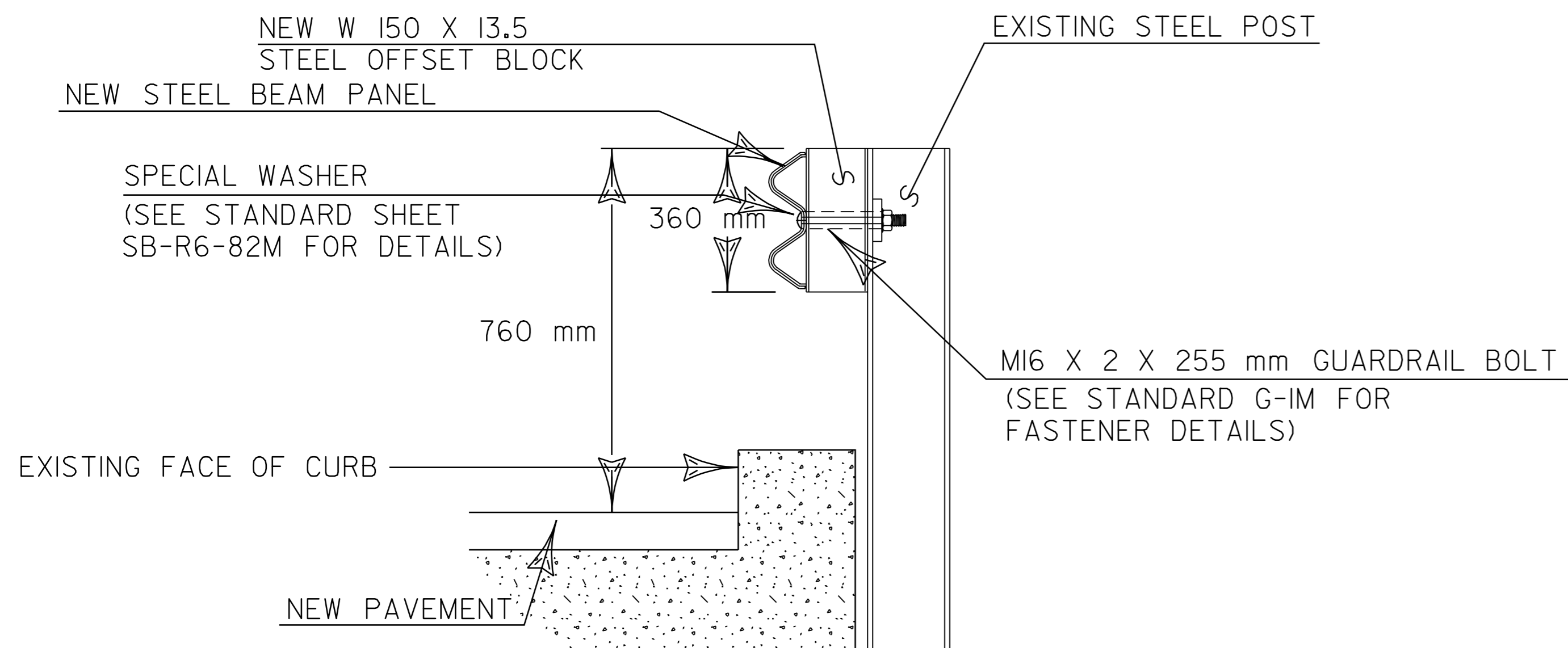


**REDUCED STEEL BEAM GUARDRAIL POST SPACING DETAIL**

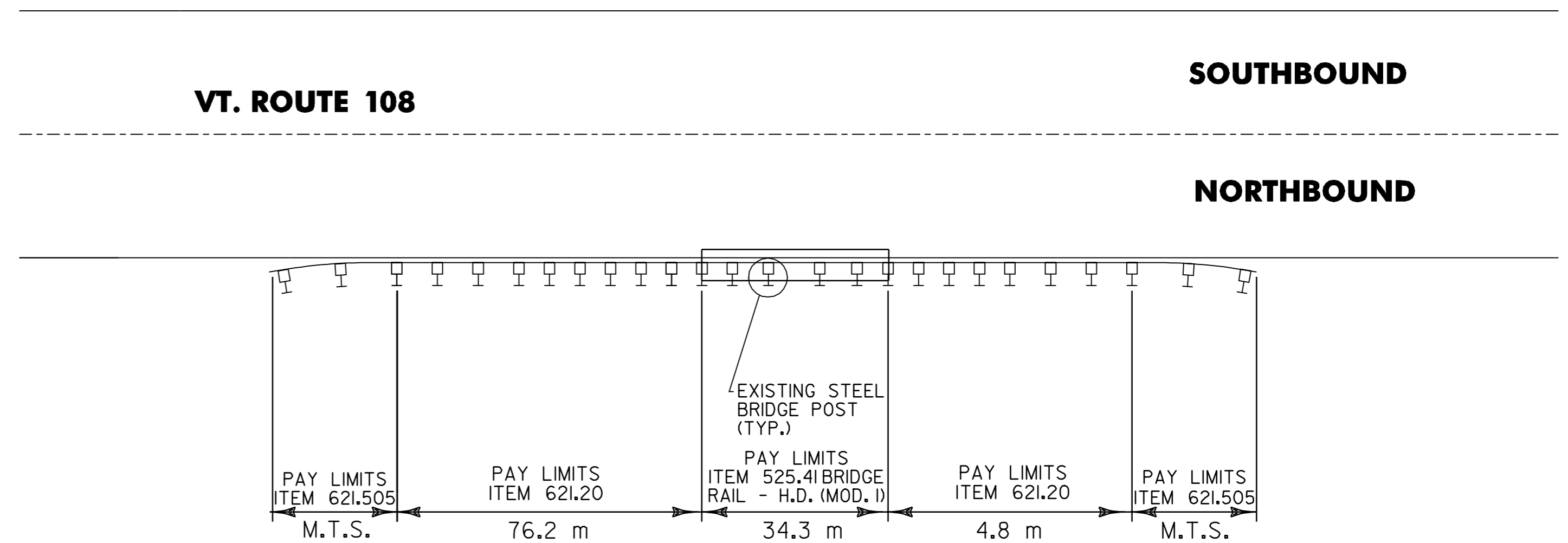
**CAMBRIDGE STA. 3+984.11 LT**  
**CAMBRIDGE STA. 12+359.86 RT**  
**CAMBRIDGE STA. 12+786.47 RT**  
**CAMBRIDGE STA. 12+915.12 RT**

NOT TO SCALE



**H.D. STEEL BEAM FASCIAMOUNTED DETAIL (MOD. 1)**

NOT TO SCALE



DATUM	
VERTICAL	N/A
HORIZONTAL	N/A

<b>REDUCED POST SPACING DETAIL</b>	SURVEYED BY	N/A	DATE	N/A
	DRAWN BY	LOCKE	DATE	JAN 04
	SQUAD LEADER	WOOLAVER		
	DESIGN FILE NO.	/pave/99cl88/99cl88.dgn		
	IPARM FILE		DATE PLOTTED	\$DATE\$
	PROJ. NAME	CAMBRIDGE		
	PROJ. NO.	STP 2218(1)S		
	SHEET	27 OF 28		