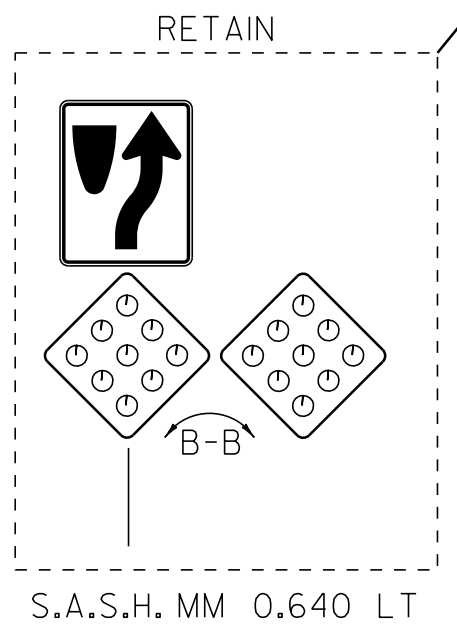
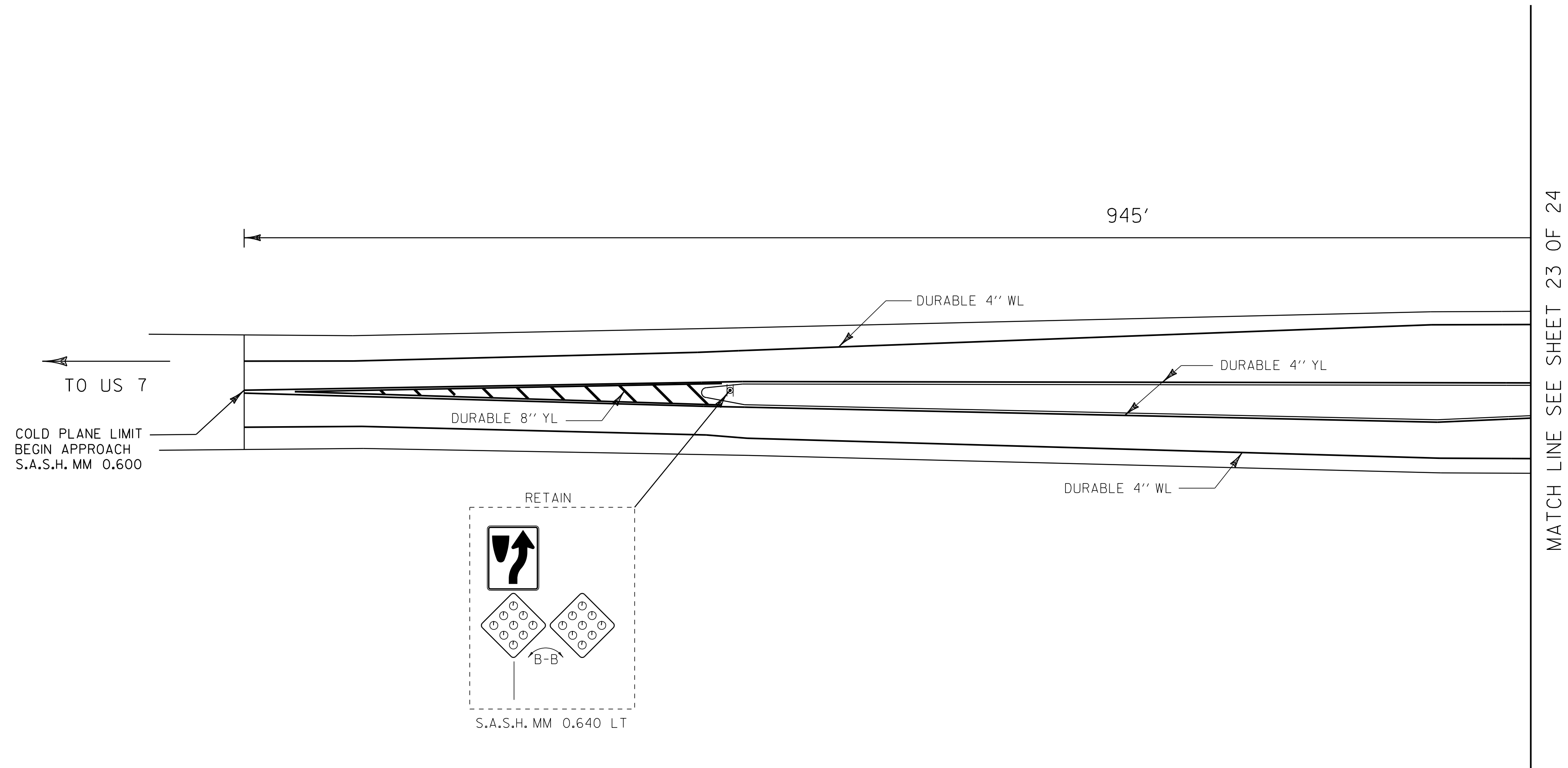


646.452 DURABLE 8 INCH YELLOW LINE , THERMOPLASTIC  
 S.A.S.H. MM 0.600 - MM 0.640 LT & RT (DIAGONALS)  
 (REFER TO STD E-192 FOR DETAILS)



NOT TO SCALE

**ST. ALBANS STATE  
 HIGHWAY  
 INTERSECTION  
 DETAIL SHEET # 2**

PROJECT NAME: FAIRFAX - ST. ALBANS TOWN	
PROJECT NUMBER: STP 2217(I)	
FILE NAME: p99cl86.dgn	PLOT DATE: 11-OCT-2011 11:49
PROJECT LEADER: T. DOMEY	DRAWN BY: K. LOCKE
DESIGNED BY: K. LOCKE	CHECKED BY: PAVT MGMT
p99cl86sash2.i	SHEET 24 OF 25