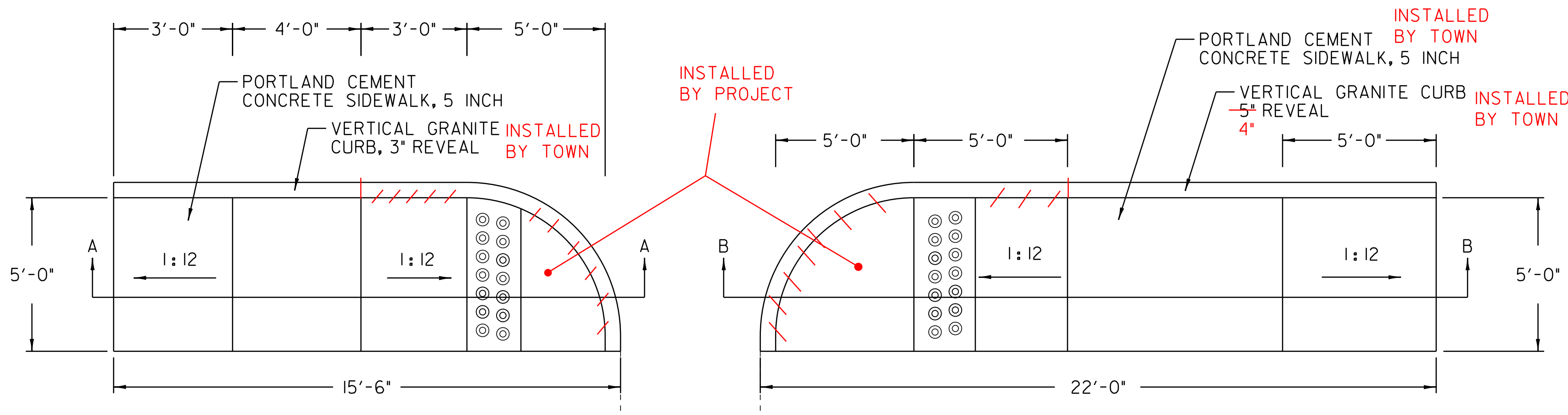


**SECTION A - A
(SECTION B - B AND
SECTION C - C SIMILAR)**

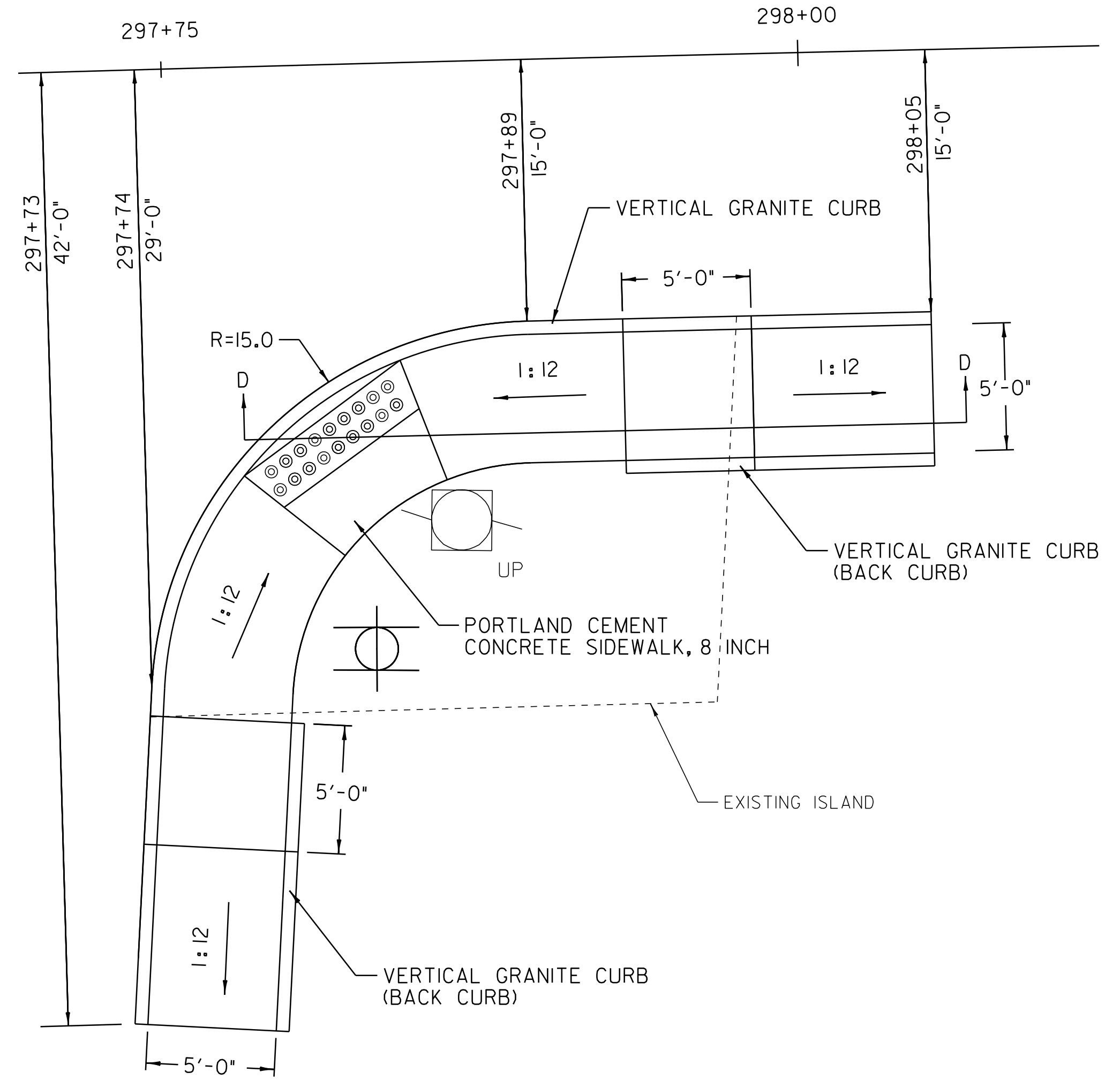


US ROUTE 5 STA 288+38 RT

NOT TO SCALE

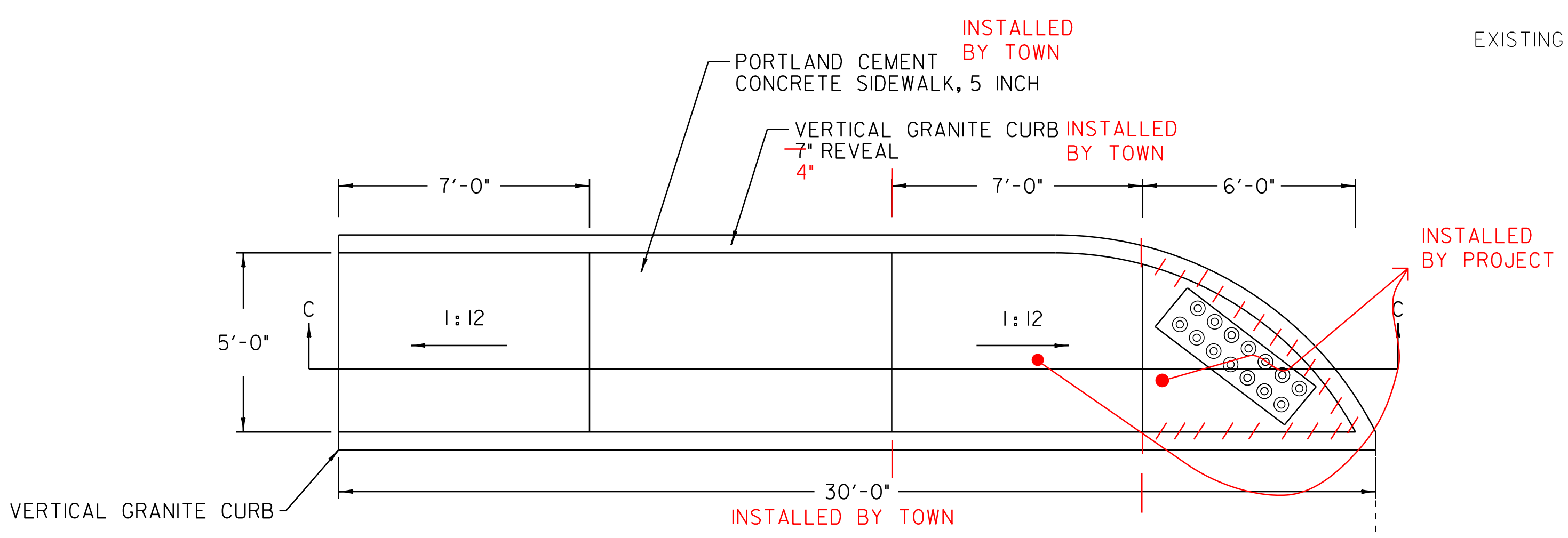
US ROUTE 5 STA 288+69 RT

NOT TO SCALE



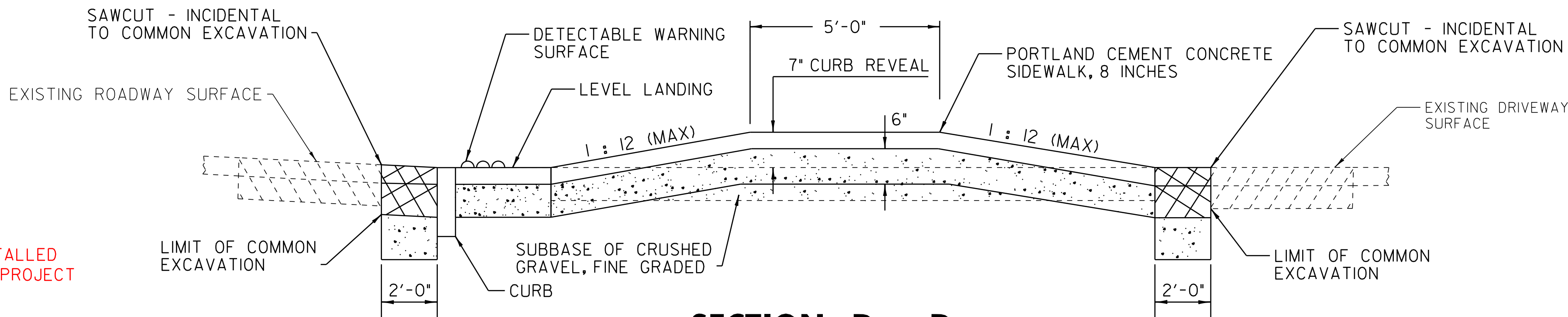
US ROUTE 5 STA 297+73 TO 297+05 RT

NOT TO SCALE



US ROUTE 5 STA 293+64 RT

NOT TO SCALE



SECTION D - D

**SIDEWALK
RAMP
DETAILS**

PROJECT NAME: HARTFORD-NORWICH	PLOT DATE: 14-FEB-2012 15:49
PROJECT NUMBER: STP 2206(I)S	DRAWN BY: MRS
FILE NAME: /pave/99cl64/pci64	CHECKED BY: NLL
PROJECT LEADER: PTS	SHEET 16 OF 137
DESIGNED BY: NLL	
IPARM FILE NAME: pci64d+01.i	

TH # 123

TH # 90