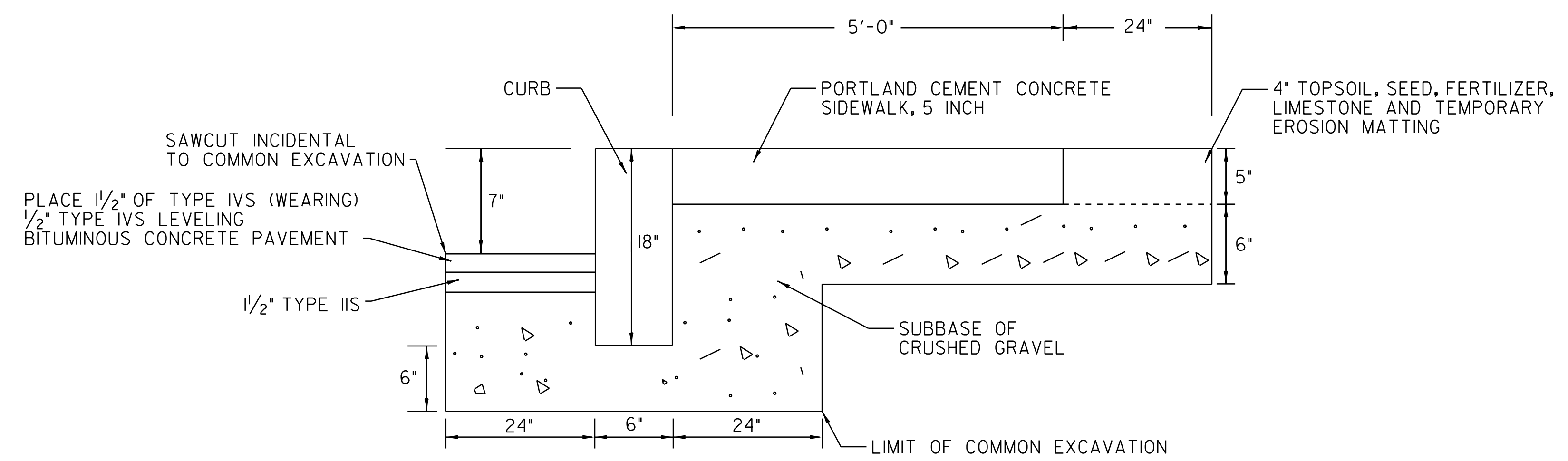


SIDEWALK RAMP PAY LIMIT DETAILS

NOTE: THIS DETAIL IS FOR PAY LIMITS ONLY. FOR INDIVIDUAL RAMP CONFIGURATIONS, SLOPES, DIMENSIONS, ETC., SEE VTRANS STANDARDS C-3A & C-3B.



SIDEWALK AND CURB CONSTRUCTION DETAIL

COMPOSITE SIDEWALK PAY LIMITS	PROJECT NAME: HARTFORD-NORWICH / NORWICH	
	PROJECT NUMBER: STP 2206(I)S / STP 2602(I)S	
	FILE NAME: /pave/99cl64/pci64	PLOT DATE: 14-FEB-2012 15:48
	PROJECT LEADER: PTS	DRAWN BY: MRS
DESIGNED BY: NULL	CHECKED BY: NULL	
IPARM FILE NAME: pci64cspi01.i	SHEET 10 OF 137	