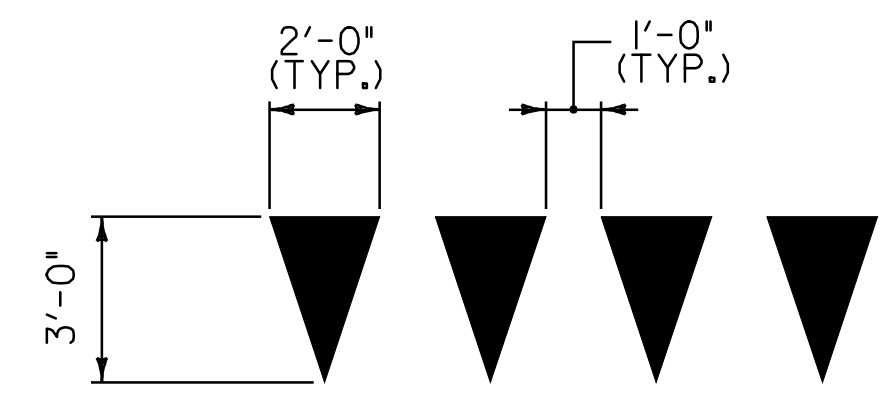


**DETAIL OF CROSSWALK MARKINGS**

N.T.S

NOTES:

1. THE PER FOOT COST OF INSTALLED CROSSWALK, SHALL BE PAID AS ITEM 646.501 DURABLE CROSSWALK MARKING, TYPE 1 TAPE AND 646.702 TEMPORARY CROSSWALK MARKING, PAINT
2. ADJUST SPACING (12" - 24") TO AVOID WHEEL PATHS.

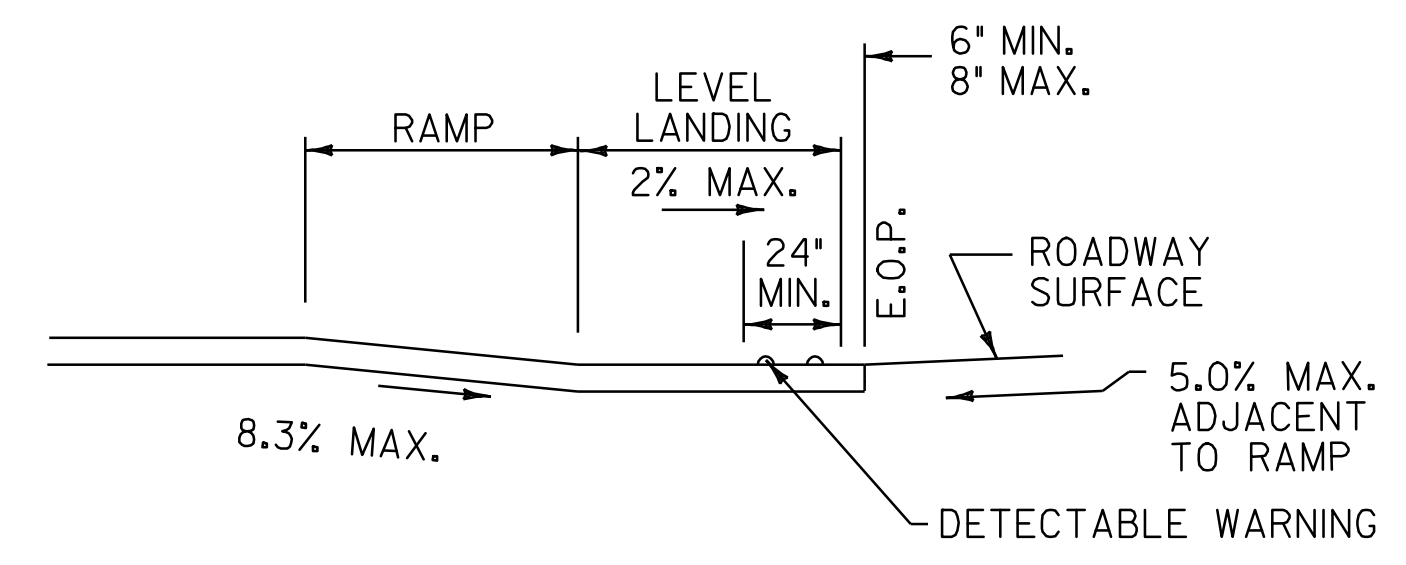
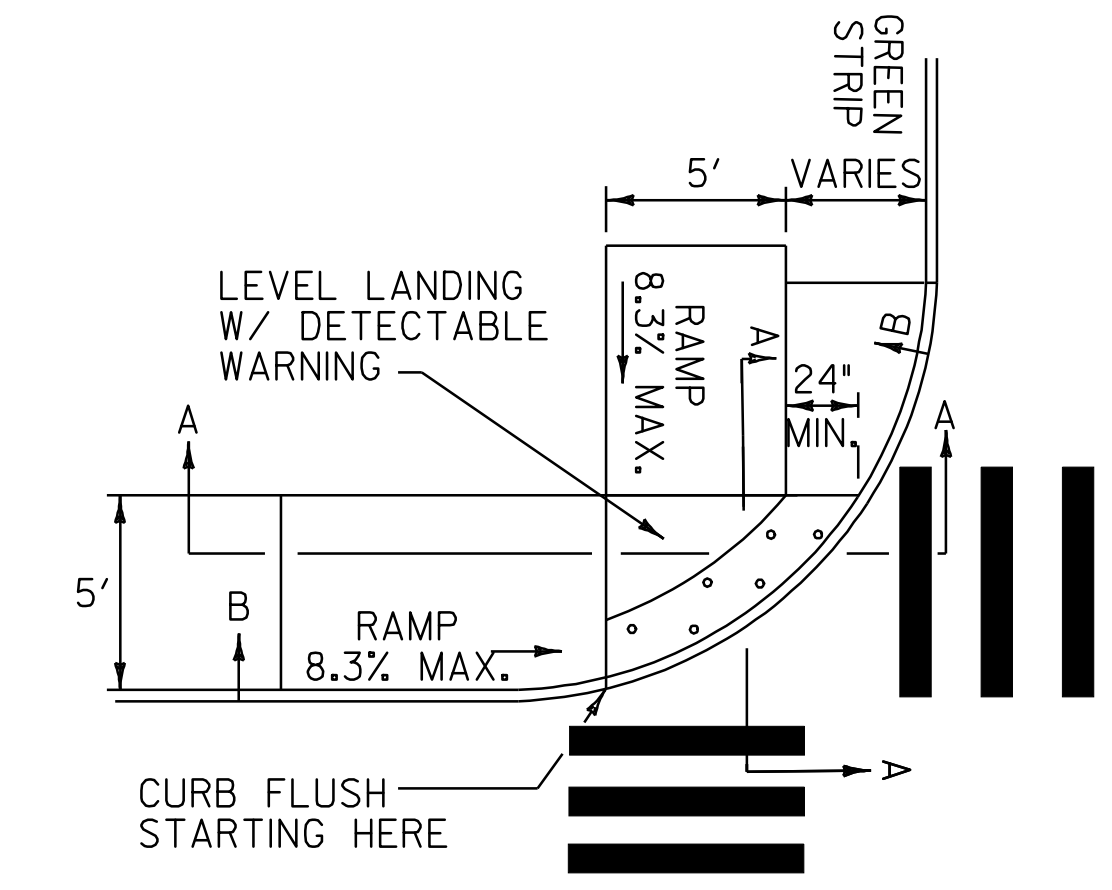


**YIELD LINE DETAILS**

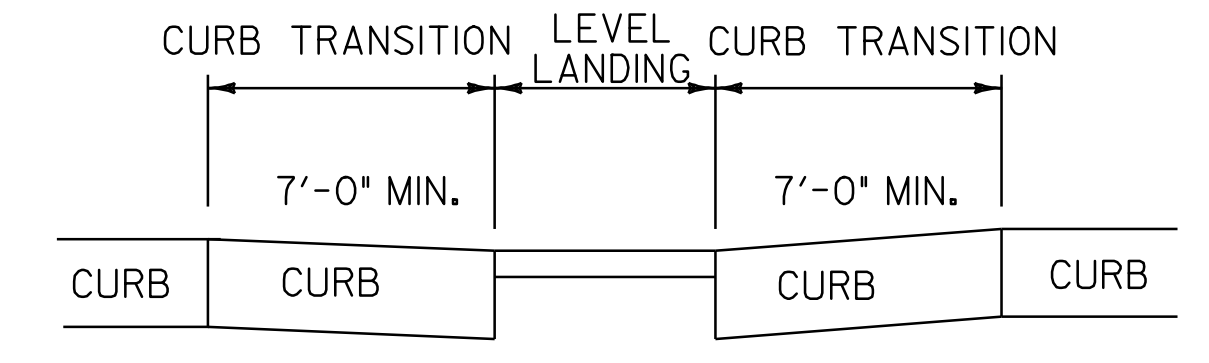
N.T.S

NOTE:

1. EACH TRIANGLE SHALL BE PAID AS ONE EACH ITEM 646.491 DURABLE LETTER OR SYMBOL, TYPE 1 TAPE AND 646.692 TEMPORARY LETTER OR SYMBOL, PAINT.



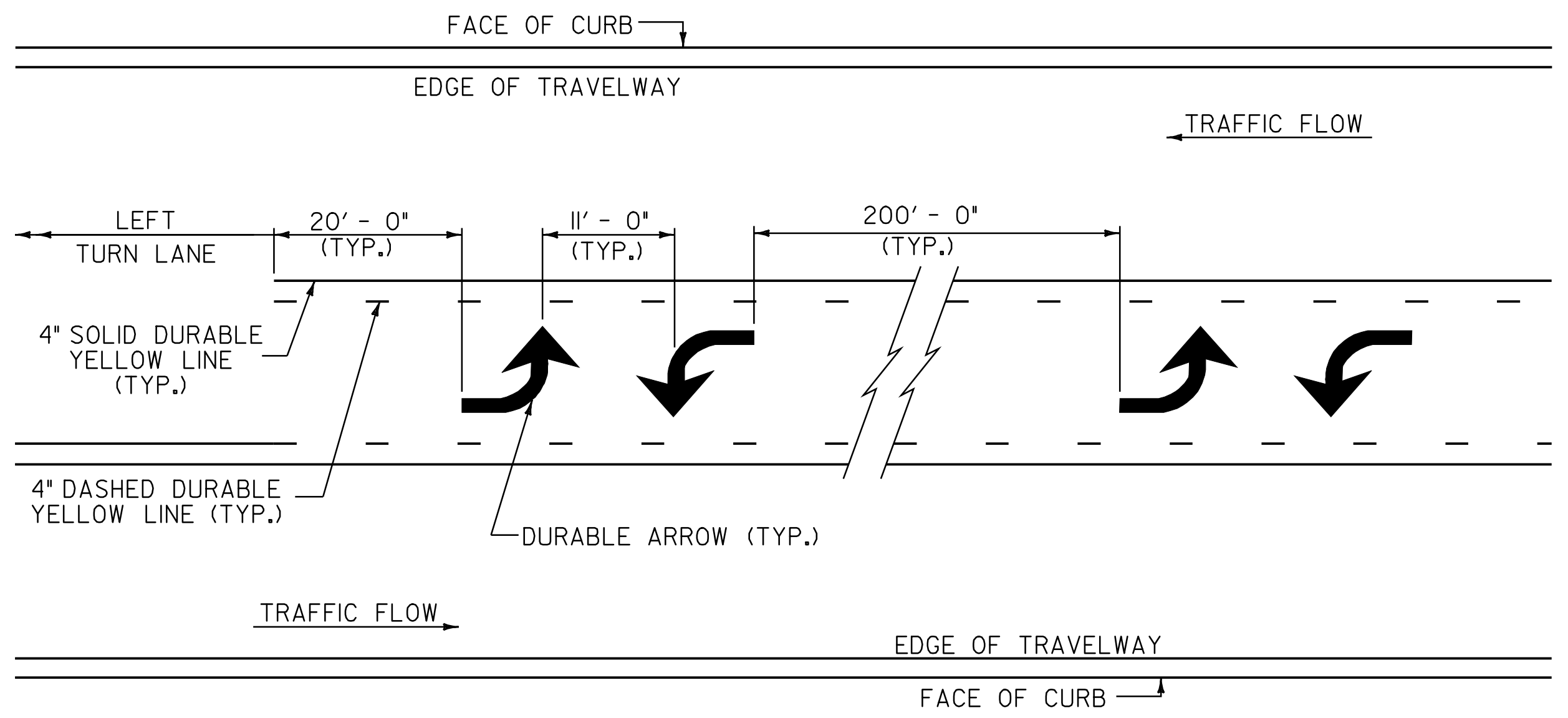
**SECTION A-A**



**SECTION B-B**

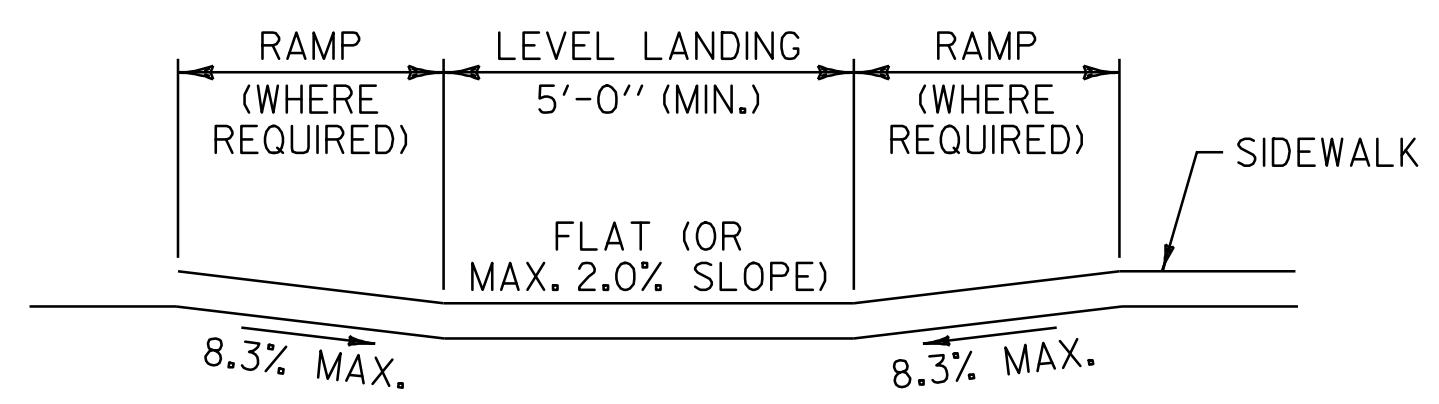
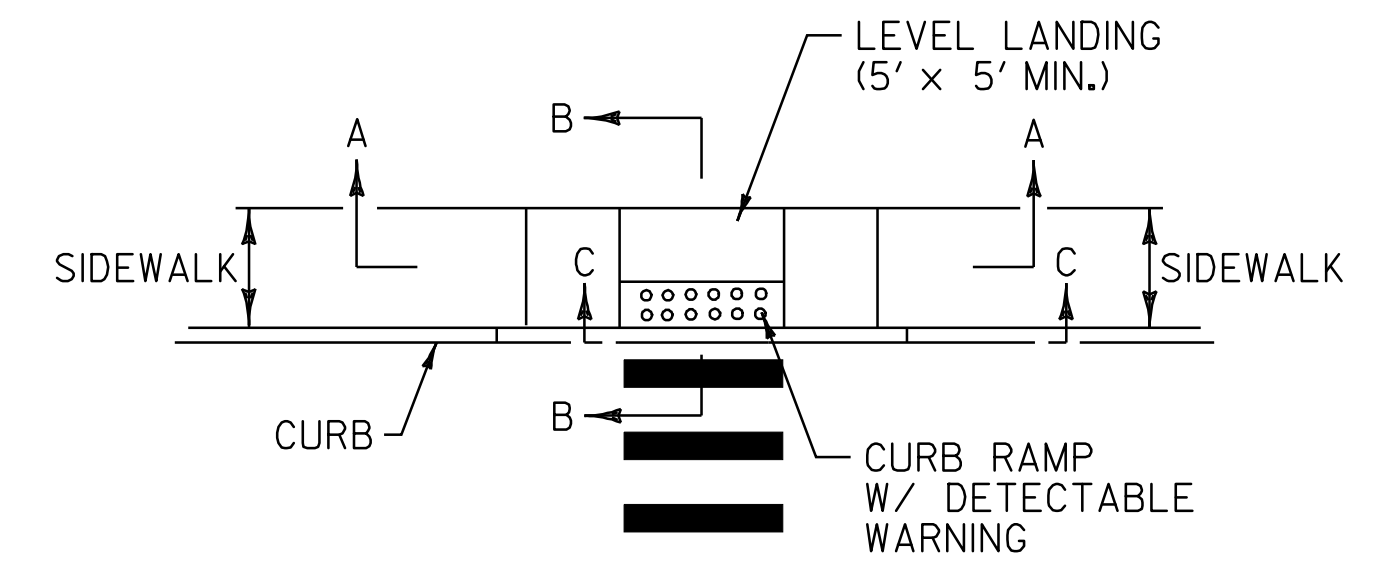
**SIDEWALK RAMP DETAIL 1**

N.T.S

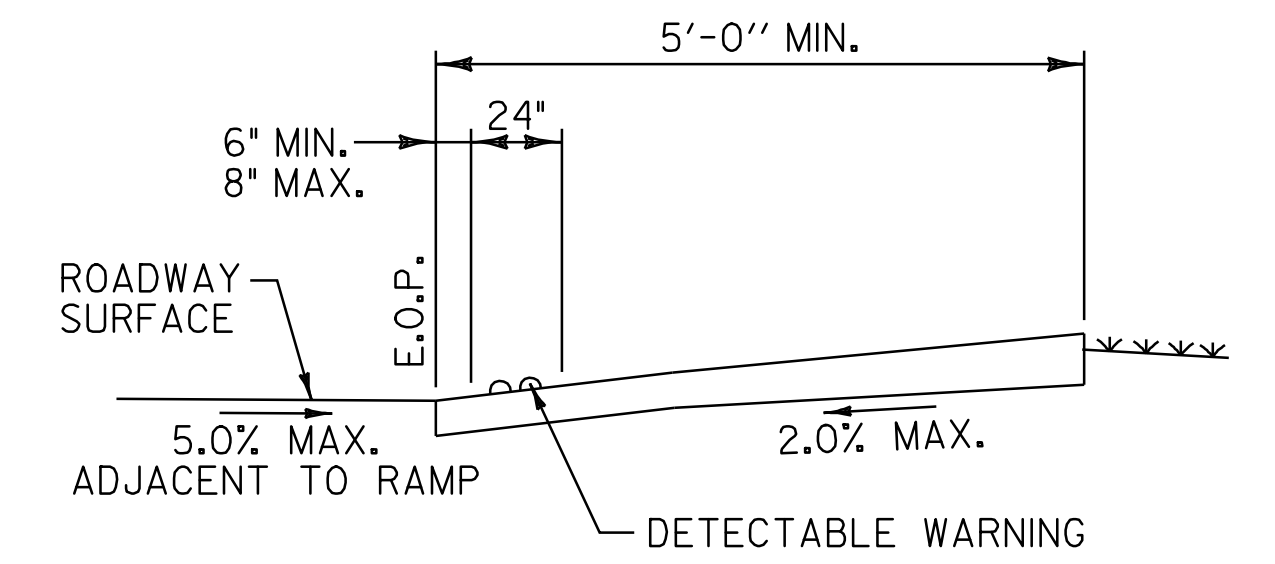


**TWO WAY LEFT - TURN LANE MARKINGS DETAIL**

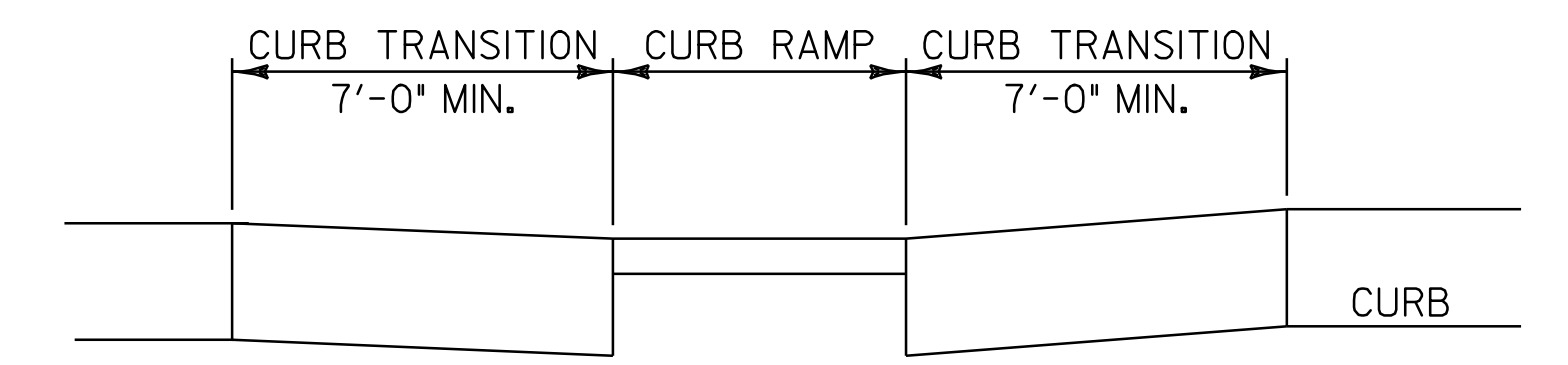
N.T.S



**SECTION A-A**



**SECTION B-B**



**SECTION C-C**

**SIDEWALK RAMP DETAIL 2**

N.T.S

**MISCELLANEOUS DETAILS SHEET#2**

PROJECT NAME: MANCHESTER	PLOT DATE: 09-MAY-2008
PROJECT NUMBER: STP 2203(I)S	DRAWN BY: C.A.K.
FILE NAME: p99c158.dgn	CHECKED BY: D.W.E.
PROJECT LEADER: D.E.G.	SHEET 67 OF 68
DESIGNED BY: M.J.M.	
IPARM FILE: p99c158mds2.i	