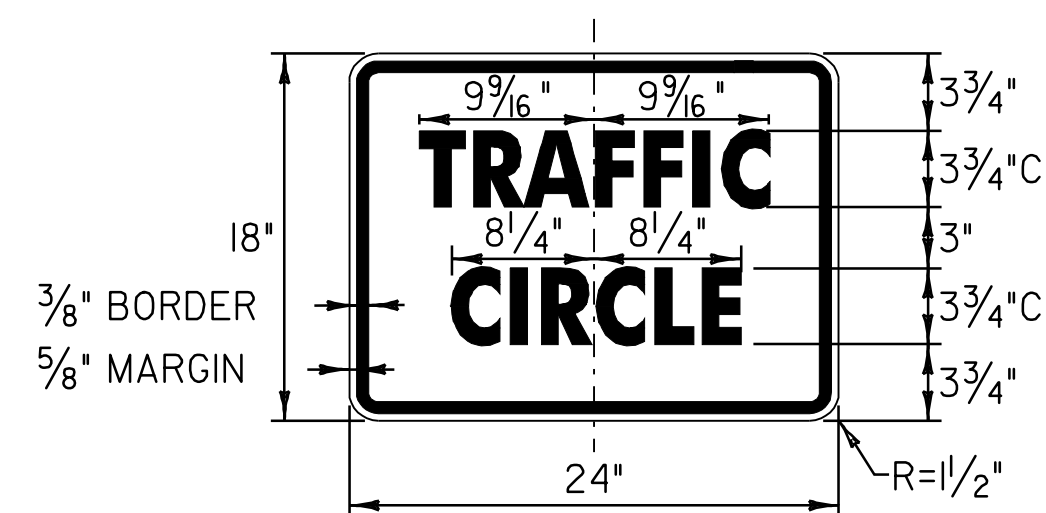


COLOR: BLACK BORDER & ARROW (REFLECTORIZED)
YELLOW BACKGROUND (REFLECTORIZED)

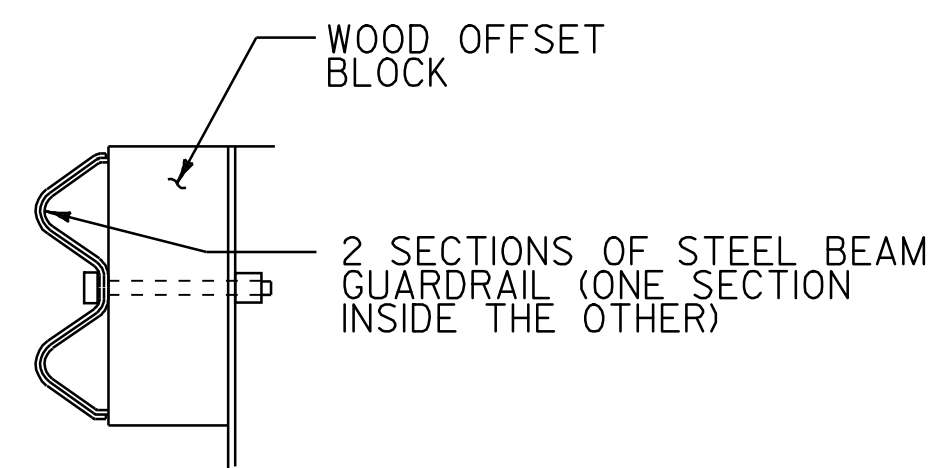
MATERIAL: PER VAOT STANDARD E-151
SIGN - VT. ROUTE 7A
MANCHESTER:
STA. 235+97.0 RT
STA. 240+15.0 LT



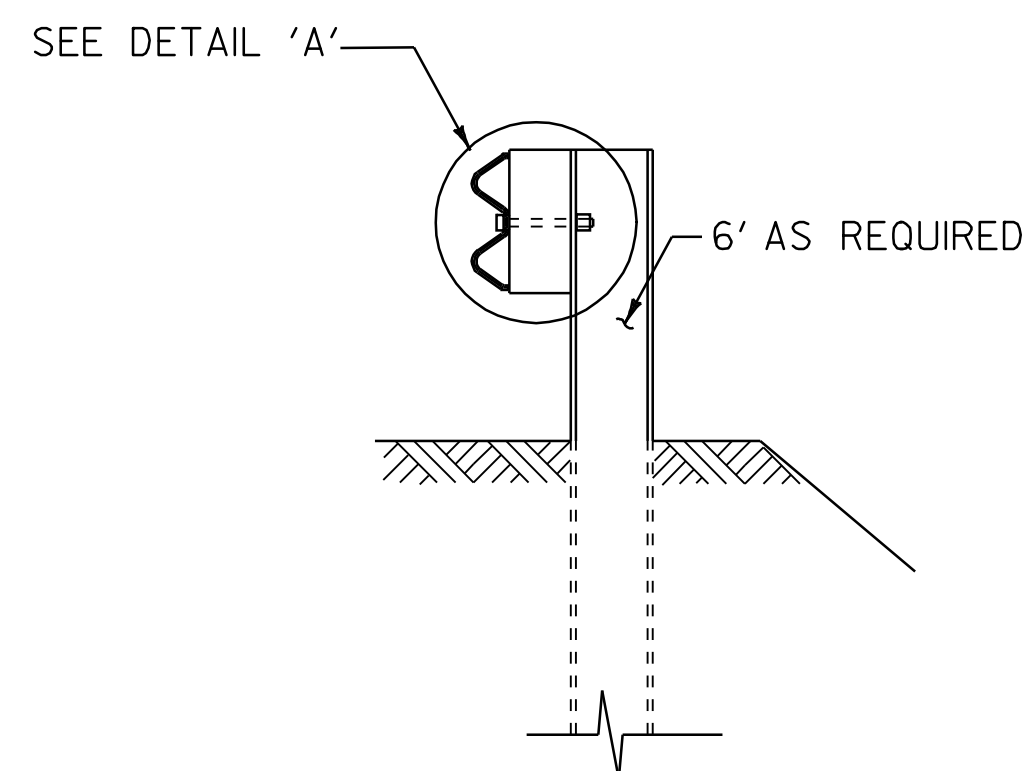
COLOR: BLACK BORDER & TEXT (REFLECTORIZED)
YELLOW BACKGROUND (REFLECTORIZED)

MATERIAL: PER VAOT STANDARD E-153B
SIGN - VT. ROUTE 7A
MANCHESTER:
STA. 235+97.0 RT
STA. 240+15.0 LT

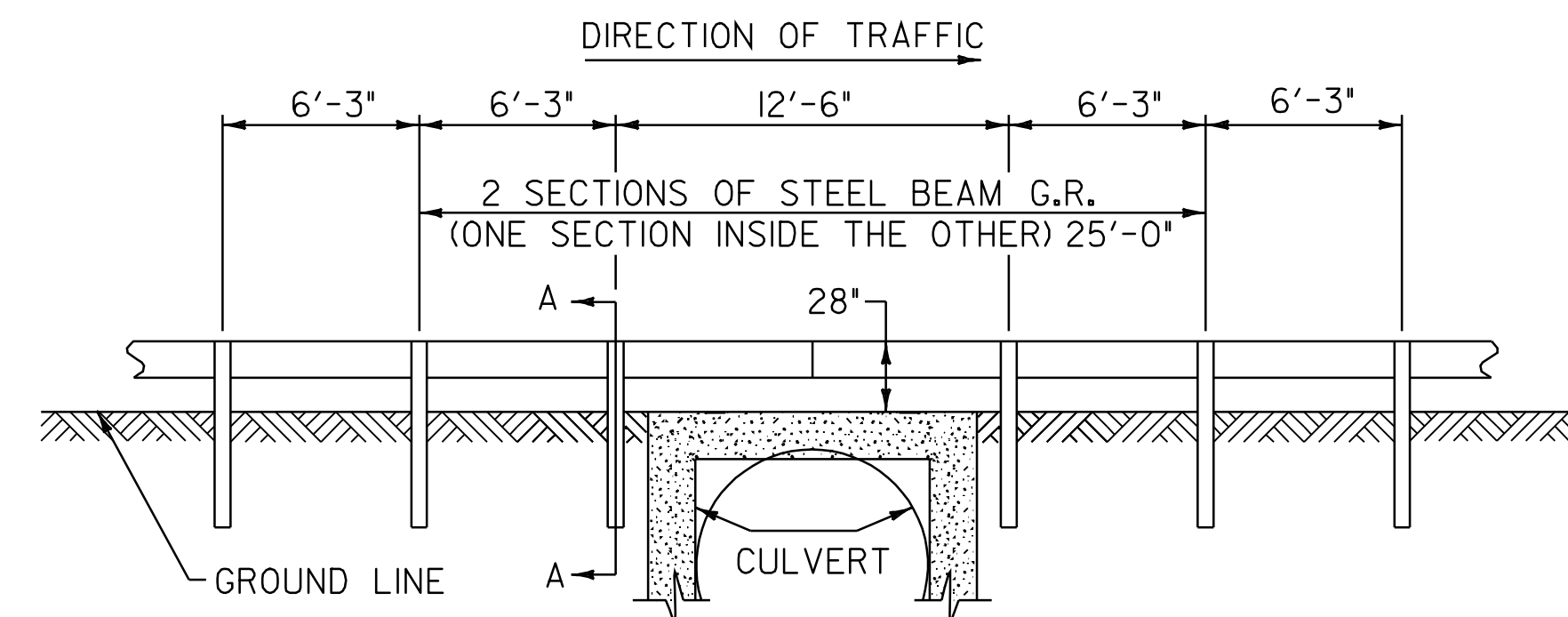
NOTE:
TEXT LAYOUT DIMENSIONS ARE BASED ON THE STANDARD ALPHABETS SPACING CHARTS FOUND IN THE "STANDARD HIGHWAY SIGNS" BOOK PUBLISHED BY FHWA. MINOR VARIATIONS IN TEXT DIMENSIONS ARE ACCEPTABLE BASED ON THE INDIVIDUAL MANUFACTURER'S LETTER FABRICATION. SIGNIFICANT CHANGES THAT AFFECT SIGN APPEARANCE SHALL BE BROUGHT TO THE ATTENTION OF VAOT'S TRAFFIC OPERATIONS SECTION BEFORE FABRICATION.



DETAIL A



SECTION A-A

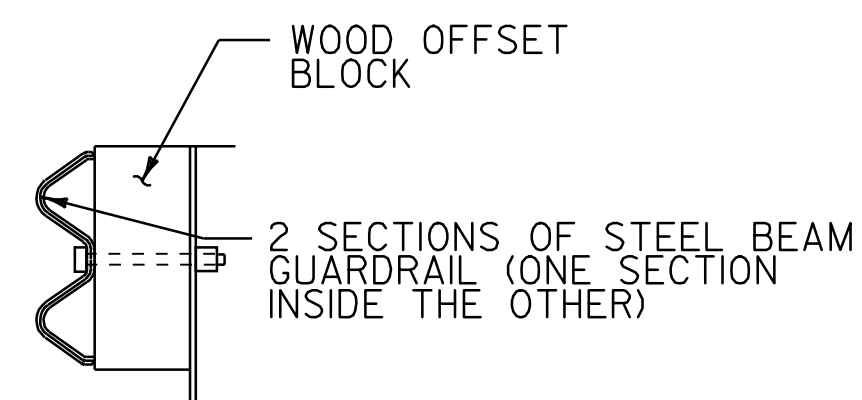


STEEL BEAM GUARDRAIL AT SMALL CULVERTS DETAIL

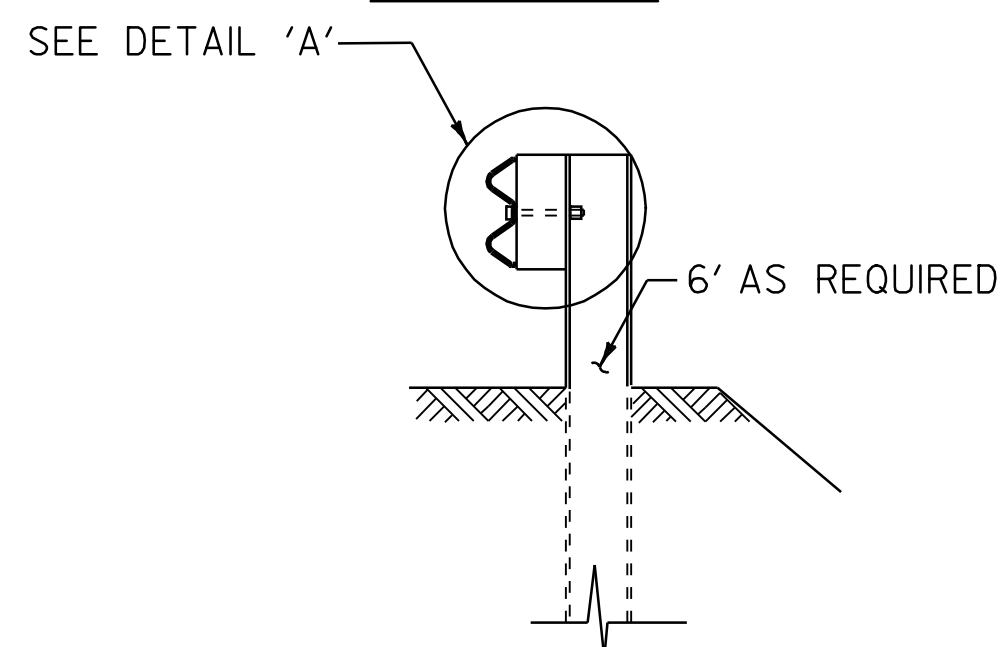
HISTORIC VT. ROUTE 7A BR 26 MANCHESTER STA. 171+17.76 LT
HISTORIC VT. ROUTE 7A BR 26 MANCHESTER STA. 171+17.76 RT

NOTES

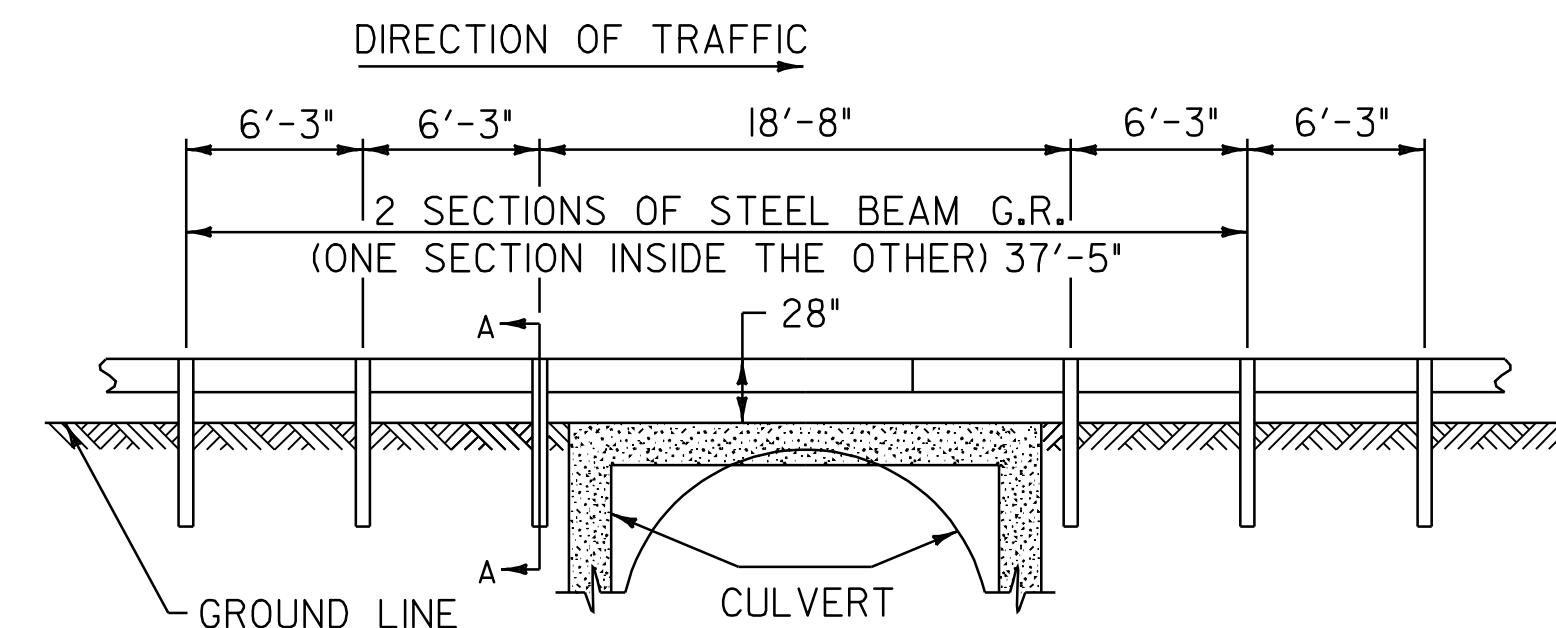
1. SEE STANDARD G-1 FOR STEEL BEAM GUARDRAIL DETAILS.
2. THIS WORK SHALL BE PAID UNDER ITEM 621.20 STEEL BEAM GUARDRAIL AT A PAY FACTOR OF 1.0.
3. THIS DETAIL TO BE USED AS INDICATED ON THE ITEM DETAIL SUMMARY SHEET OR AS DIRECTED BY THE RESIDENT ENGINEER.



DETAIL A



SECTION A-A



STEEL BEAM GUARDRAIL AT LARGE CULVERTS DETAIL

HISTORIC VT. ROUTE 7A BR 27 MANCHESTER STA. 212+79.67 LT

NOTES

1. SEE STANDARD G-1 FOR STEEL BEAM GUARDRAIL DETAILS.
2. THIS WORK SHALL BE PAID UNDER ITEM 621.20 STEEL BEAM GUARDRAIL AT A PAY FACTOR OF 1.0.
3. THIS DETAIL TO BE USED AS INDICATED ON THE ITEM DETAIL SUMMARY SHEETS OR AS DIRECTED BY THE RESIDENT ENGINEER.

NOT TO SCALE

**MISCELLANEOUS
DETAILS
SHEET #1**

PROJECT NAME: MANCHESTER
PROJECT NUMBER: STP 2203(I)S

FILE NAME: p99cl58.dgn
PROJECT LEADER: D.E.G.
DESIGNED BY: M.J.M.
IPARM FILE: p99Cl58mdsl.l

PLOT DATE: 09-MAY-2008
DRAWN BY: C.A.K.
CHECKED BY: D.W.E.
SHEET 66 OF 68