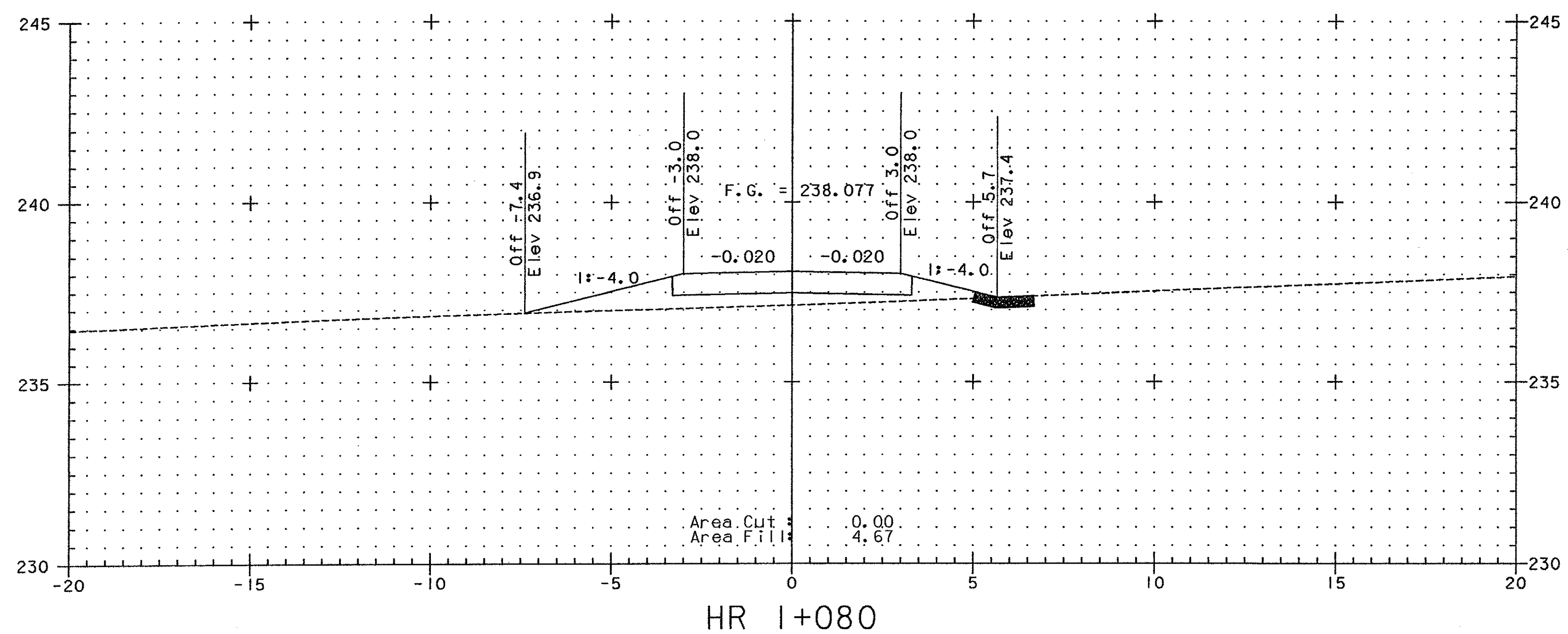
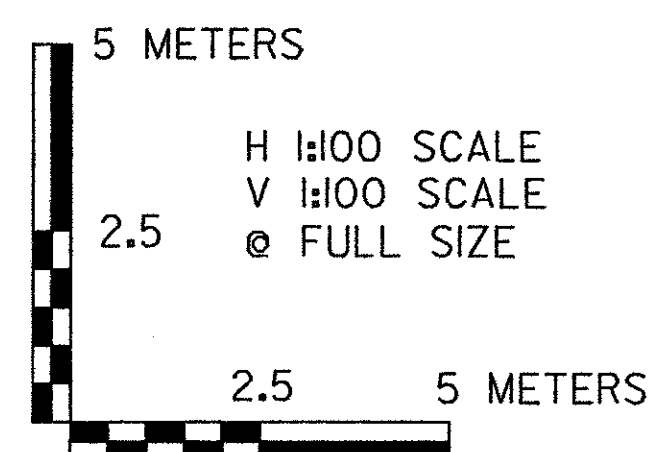


Volume Cut : 0.00
Volume Fill : 98.72



Volume Cut : 0.00
Volume Fill : 78.13



ALL DIMENSIONS IN MILLIMETERS EXCEPT WHERE OTHERWISE INDICATED.



PROJECT NAME: BENNINGTON - HOOSICK
PROJECT NUMBER: DPI 0146 (I) C/4

FILE NAME: haulroad xs.dgn
PROJECT LEADER: GAE
DESIGNED BY: BJM

PLOT DATE: 08/29/2000
DRAWN BY: MBL
CHECKED BY: GAS

HAUL ROAD CROSS SECTIONS

SHEET 276 OF 385