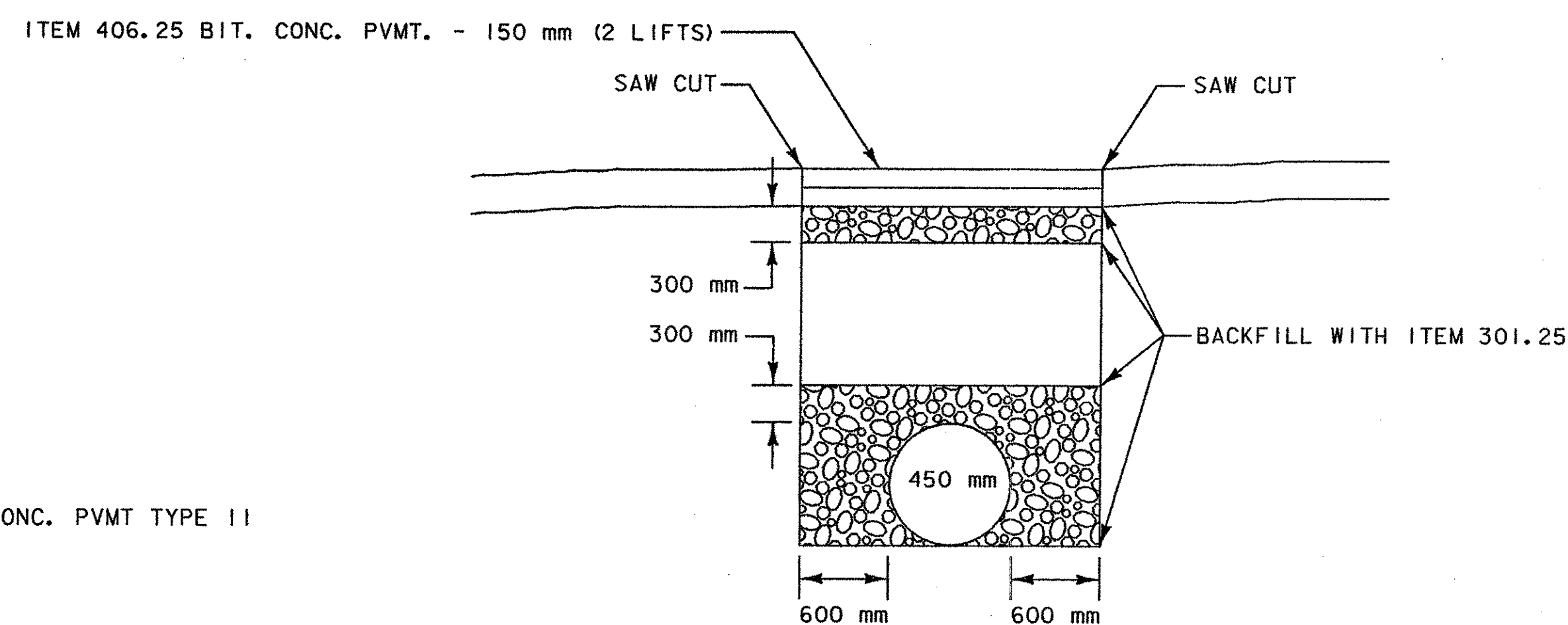
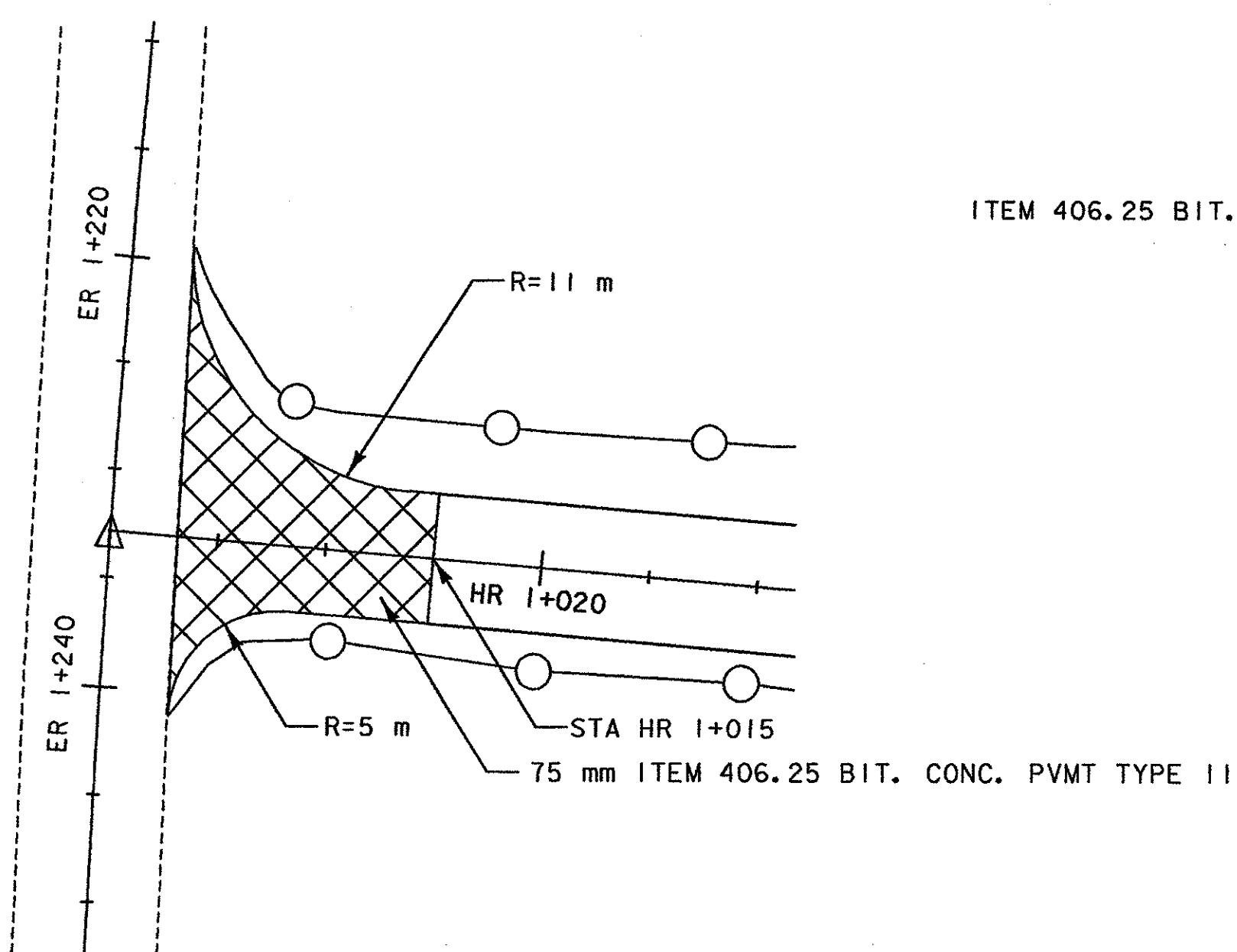
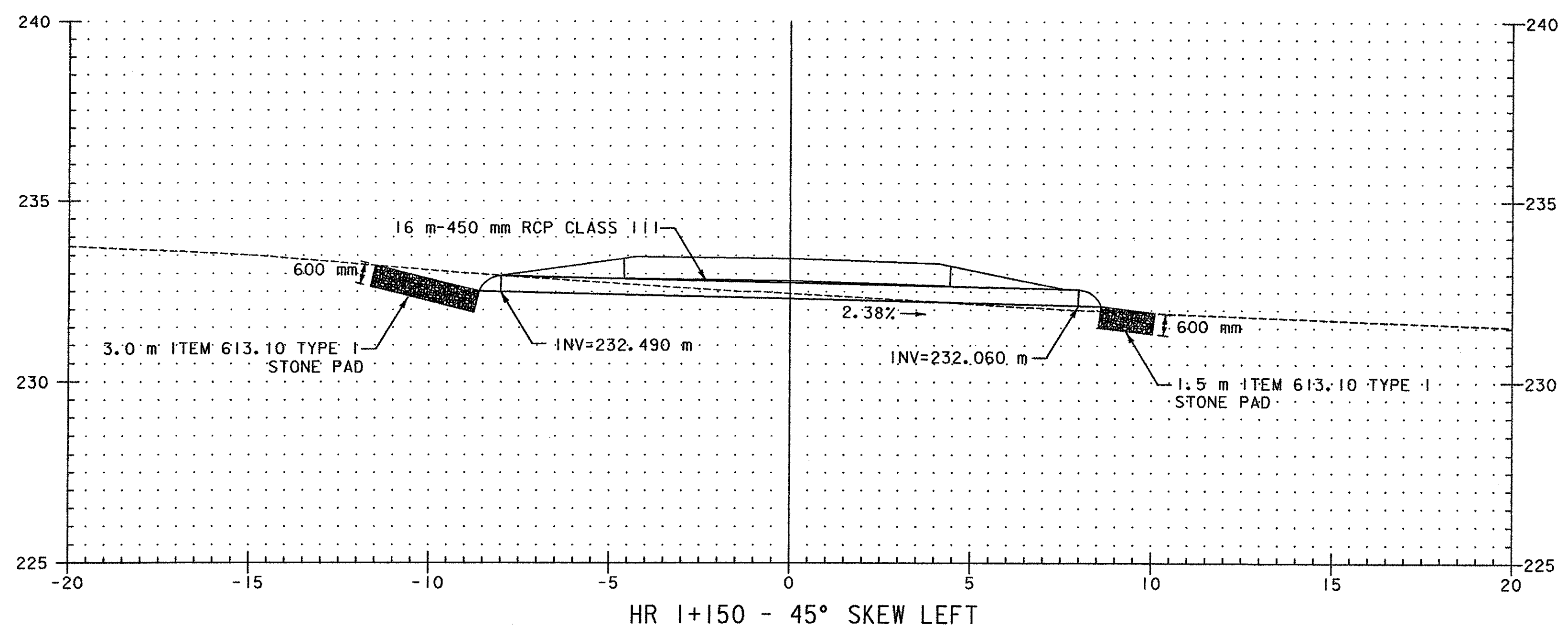


HAUL ROAD CONNECTION DETAIL
NOT TO SCALE



TRENCH DETAIL - EAST ROAD CROSSING
NOT TO SCALE



HAUL ROAD CULVERT SECTION THRU PIPE
NOT TO SCALE

ALL DIMENSIONS IN MILLIMETERS EXCEPT WHERE OTHERWISE INDICATED.

	PROJECT NAME: BENNINGTON - HOOSICK	
	PROJECT NUMBER: DPI0146 (I) C/4	
	FILE NAME: borrow_detail.dgn	PLOT DATE: 09/05/2000
	PROJECT LEADER: GAE	DRAWN BY: MBL
DESIGNED BY: BJM	CHECKED BY: GAS	
BORROW AREA DETAILS		SHEET 262 OF 385