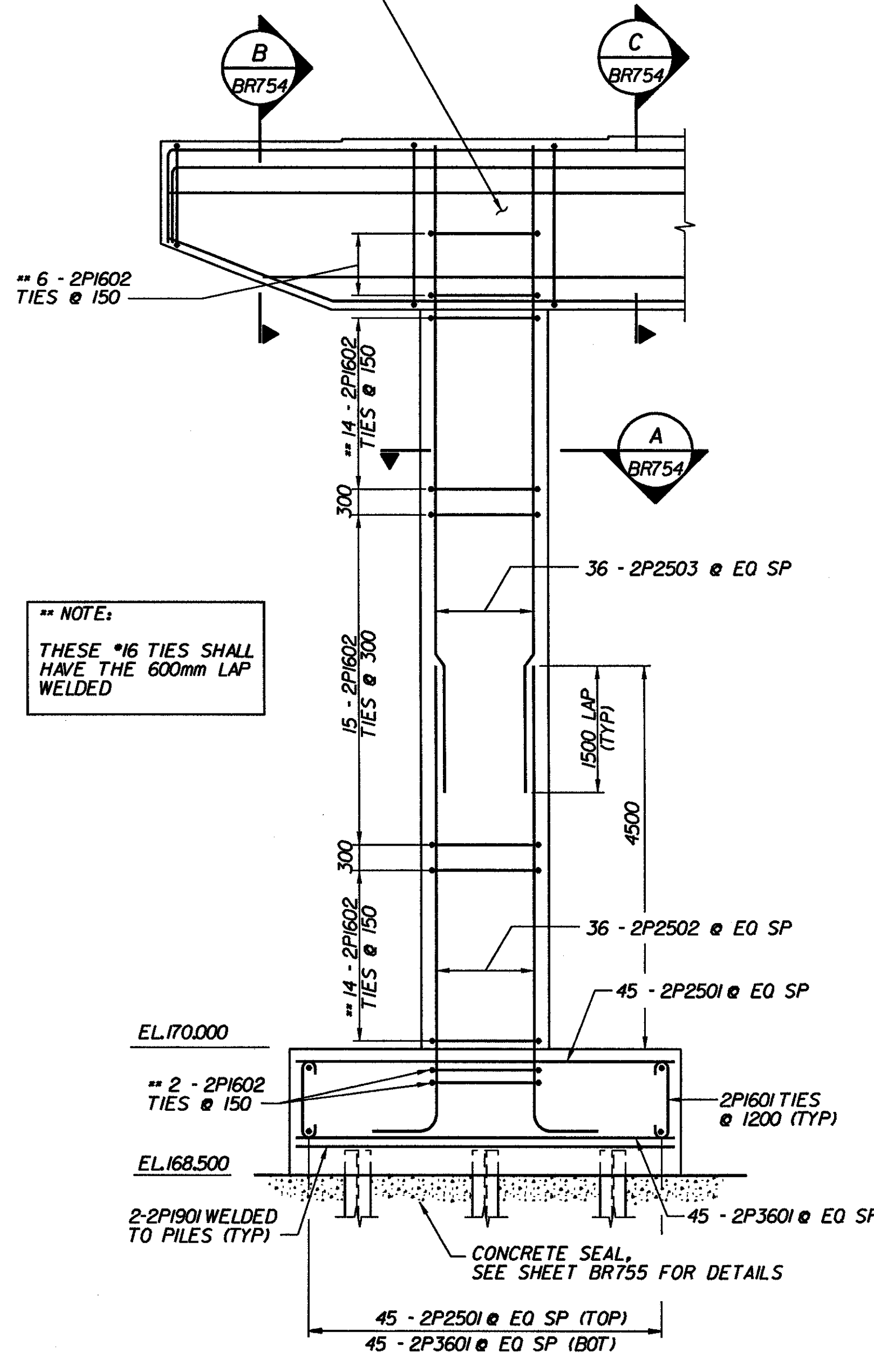
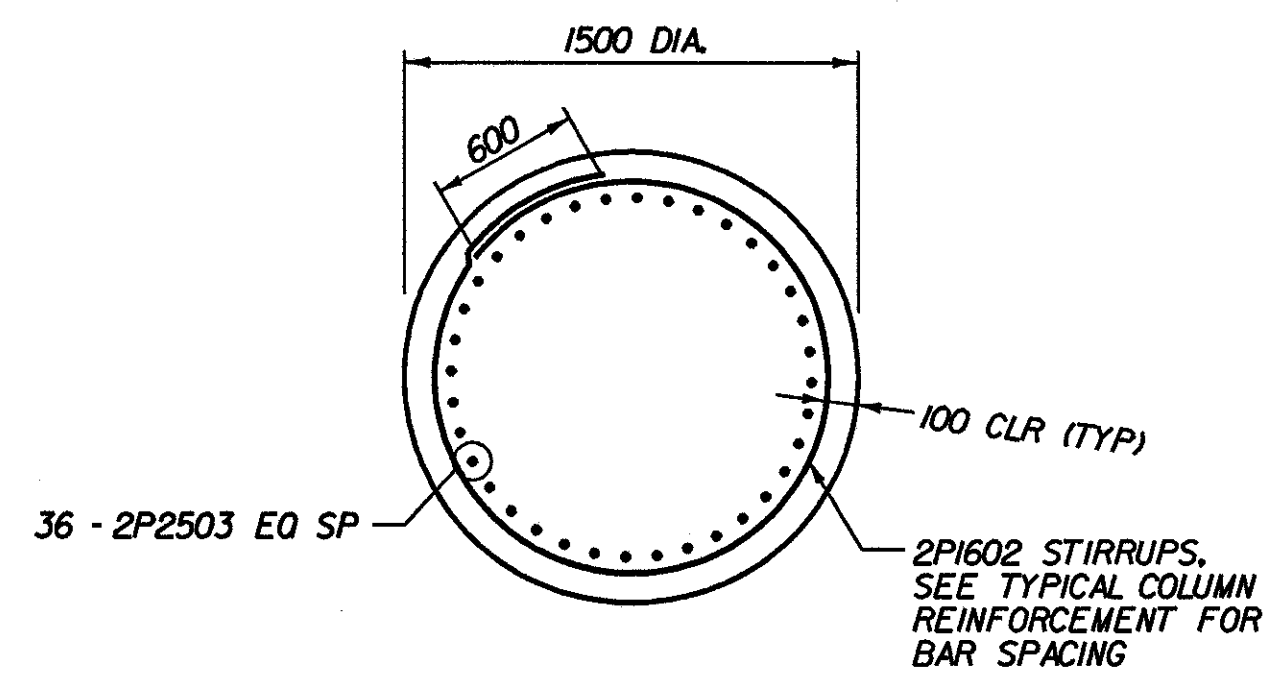
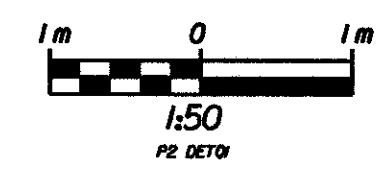


FOR PIER CAP REINFORCING NOT NOTED, SEE PIER ELEVATION ON BRIDGE SHEET BR753 AND DETAILS THIS SHEET



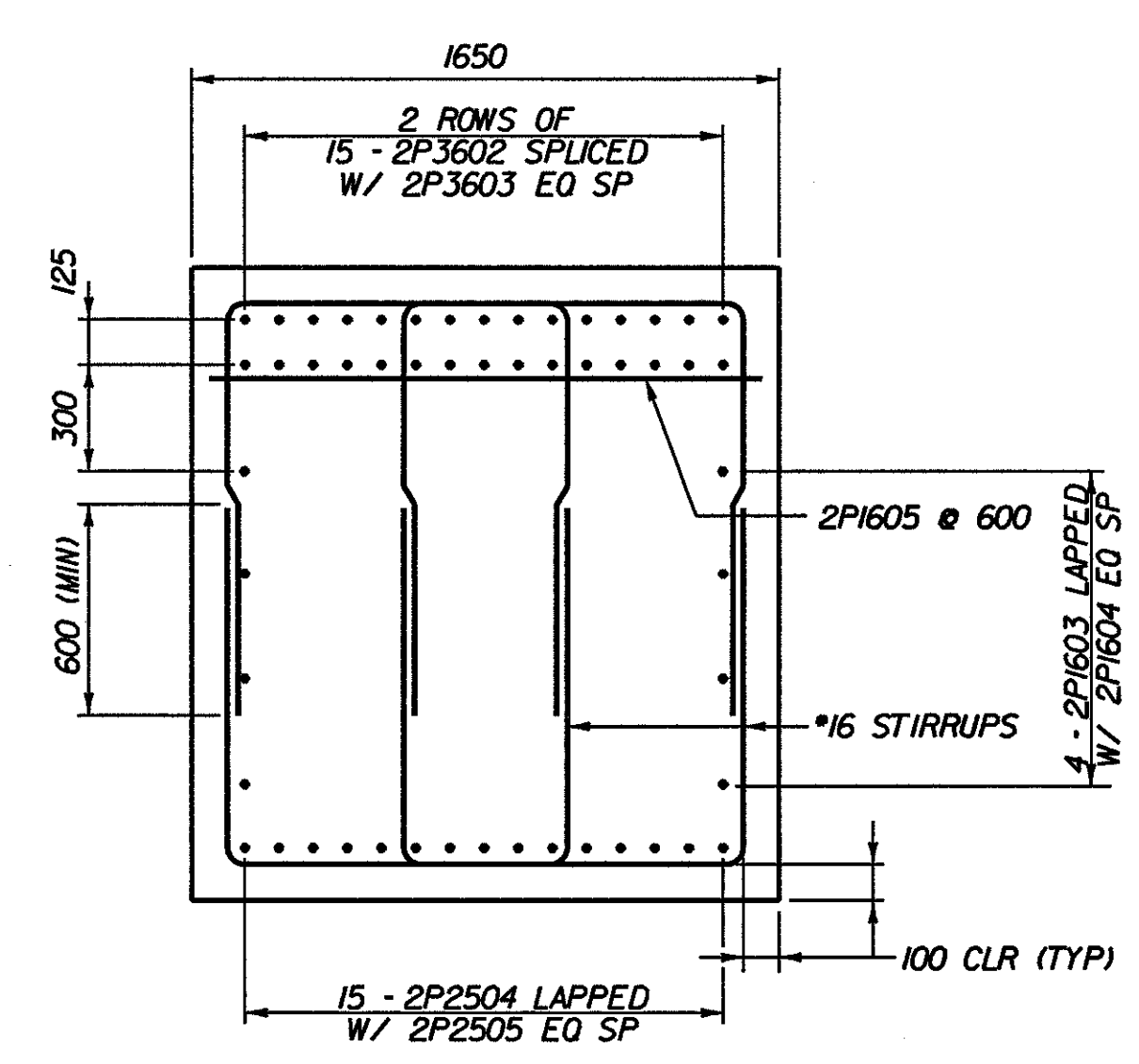
PIER 2 TYPICAL COLUMN REINFORCEMENT



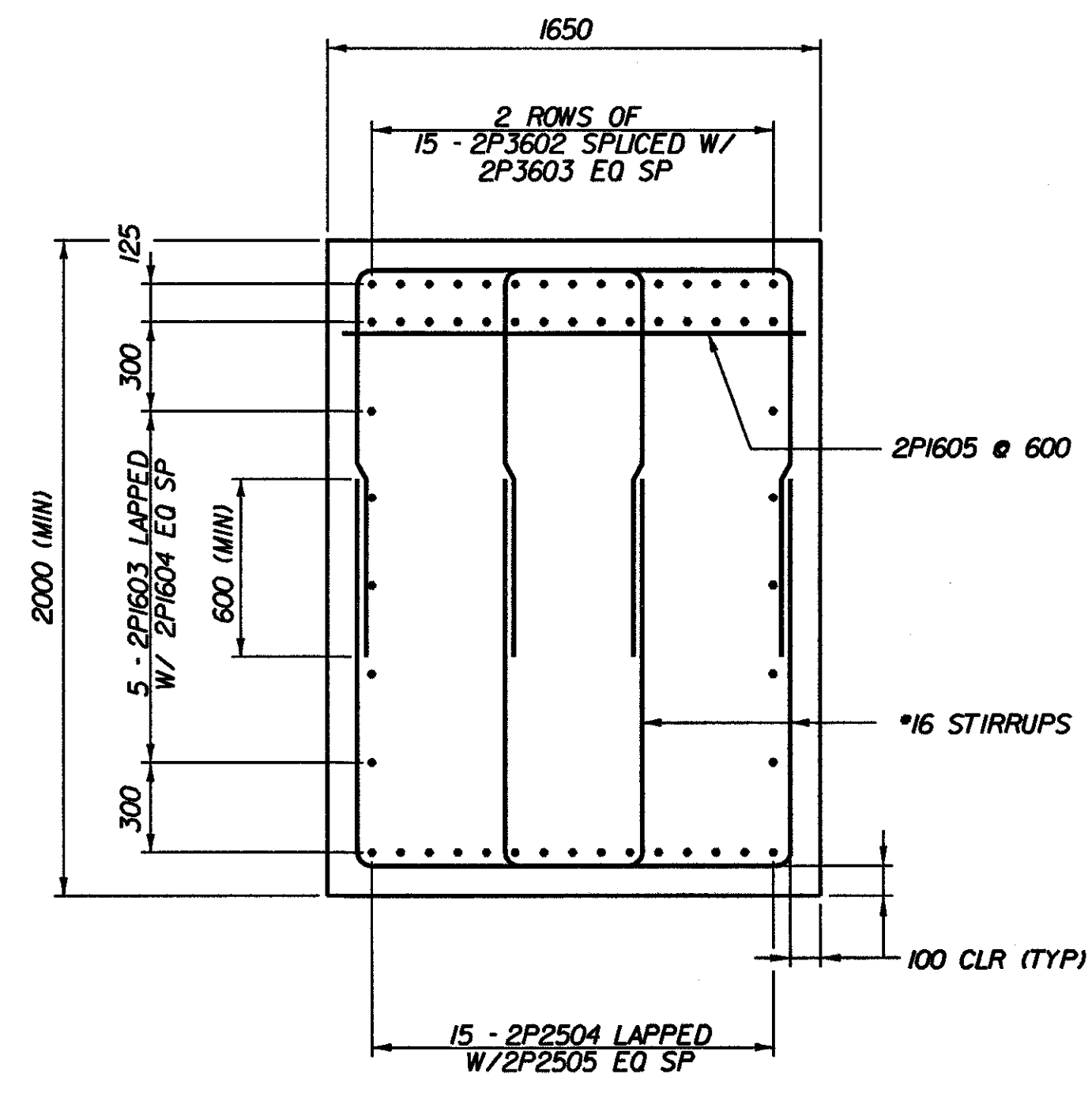
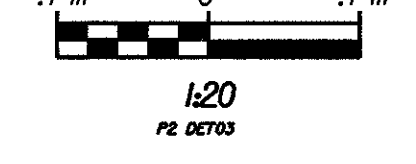
A TYPICAL COLUMN SECTION



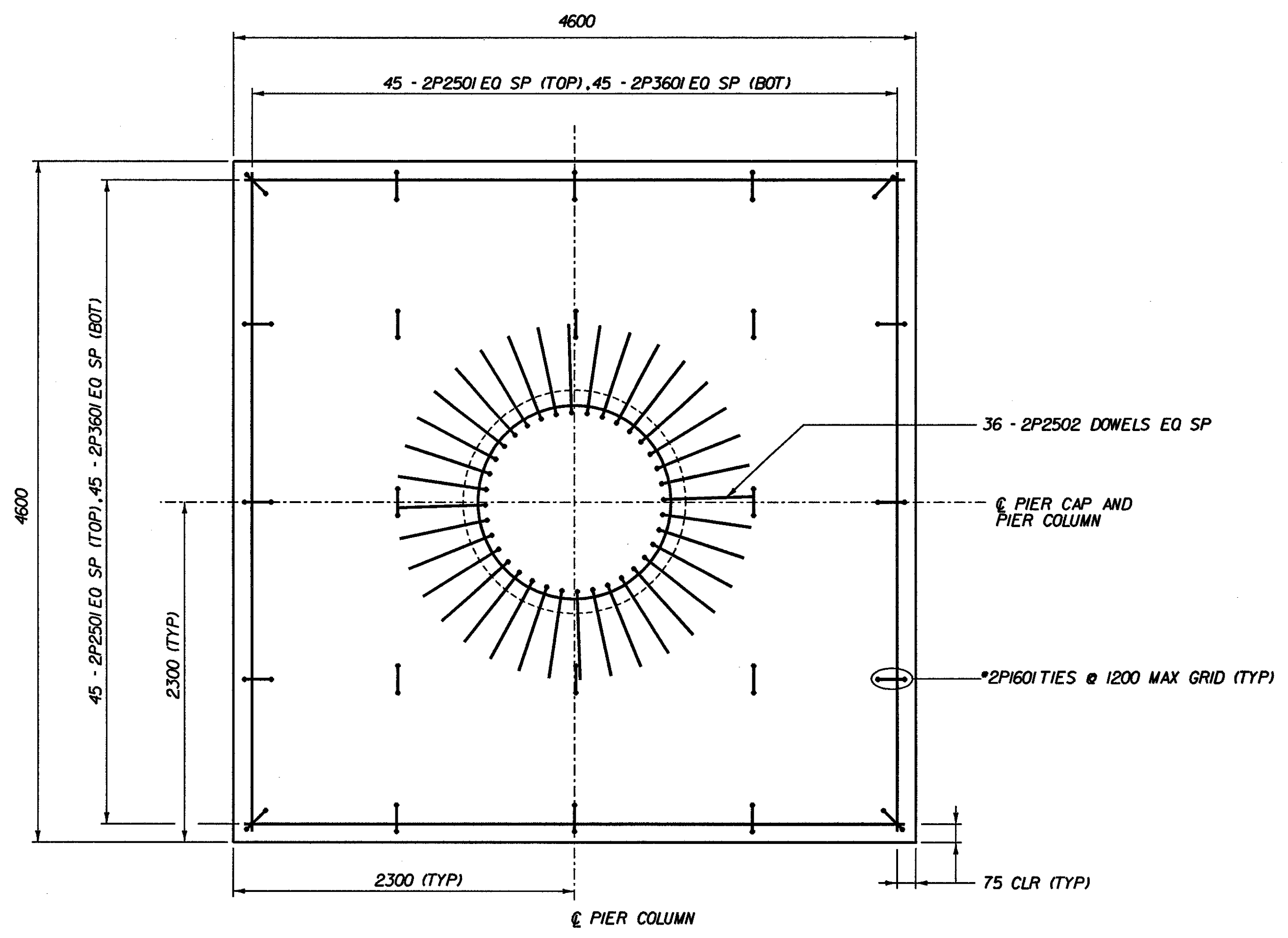
NOTE:
THESE *16 TIES SHALL HAVE THE 600mm LAP WELDED



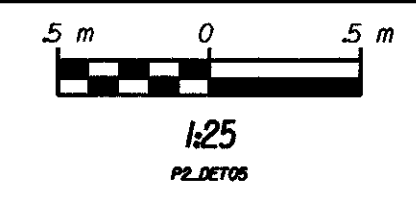
B PIER CAP SECTION



C PIER CAP SECTION



TYPICAL PIER FOOTING REINFORCEMENT PLAN



STATE OF VERMONT
AGENCY OF TRANSPORTATION

Town Of	BENNINGTON	Bridge No.	BR700
Highway No.	VT. RTE. 9	Log Sta.	
		Surv. Sta.	16+800
VT. RTE. 9 OVER SILK ROAD AND WALLOOMSAC RIVER			
PIER 2 SECTIONS AND DETAILS			
Designed By	C. TUTUNJIAN	Drawn by	J. D. HOTALING Sr.
Checked By	D. VIEN	Date	6/00
		Bridge Design Supervisor	M.W. OLSTAD
		Date	9/00
PROJECT	BENNINGTON-HOOSICK	PROJECT NO.	D.P.I. 0146(I) C/4
I.G.C. Info.			
Bridge Sheet No.	BR754	Sheet	237 OF 385

17-251-2152 BR700/PIER 2 SECTION 237 OF 385