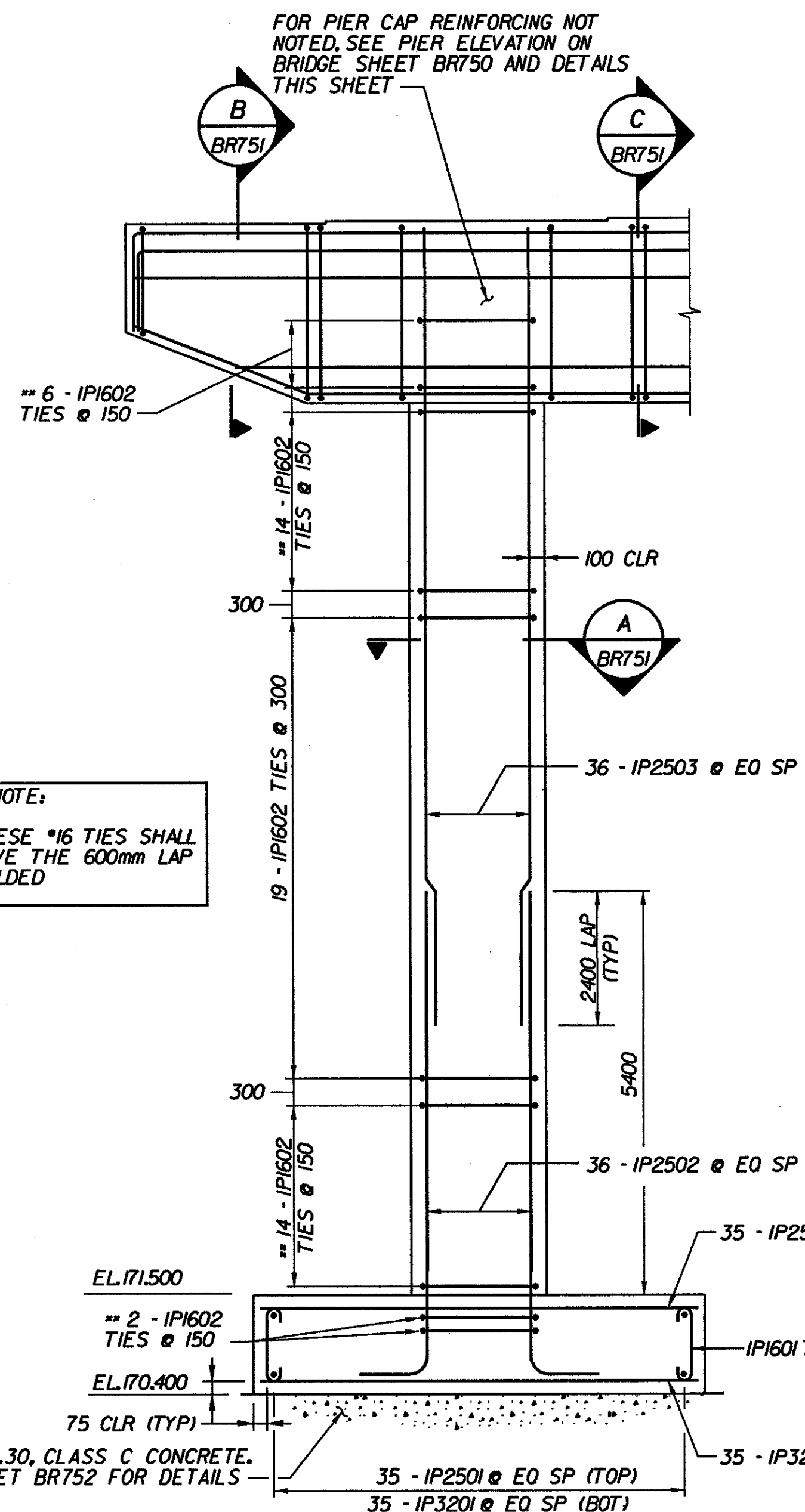
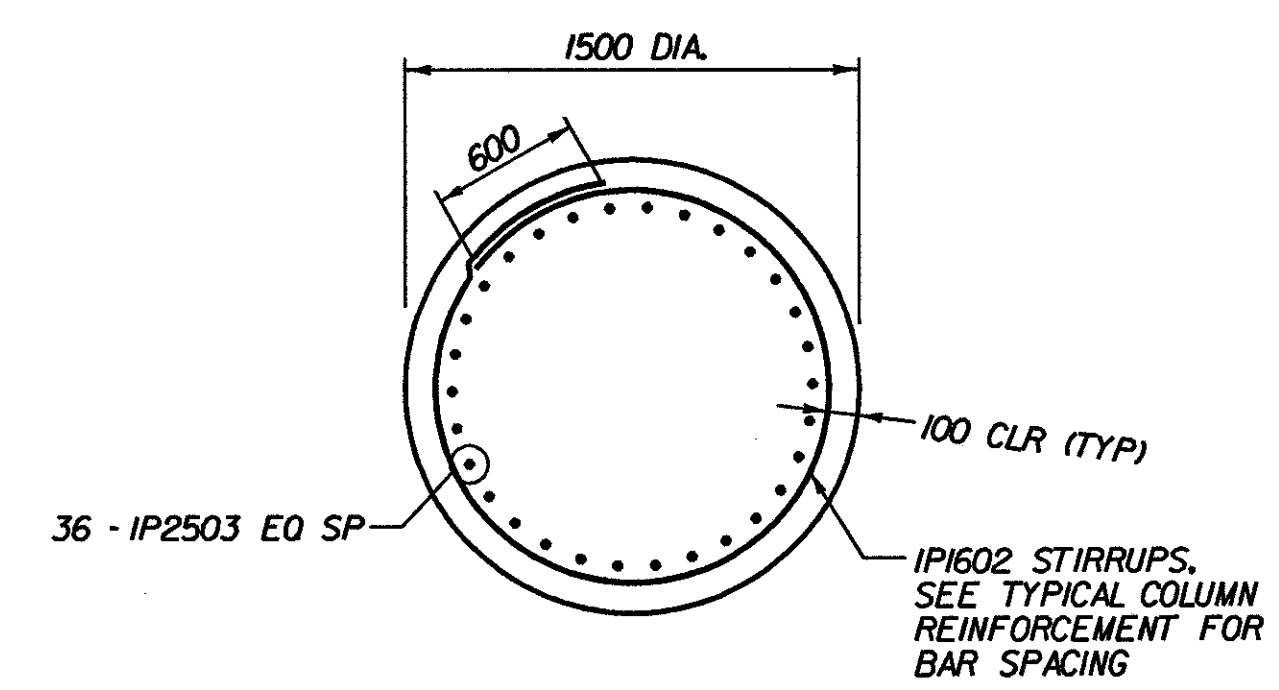
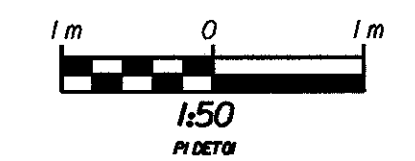


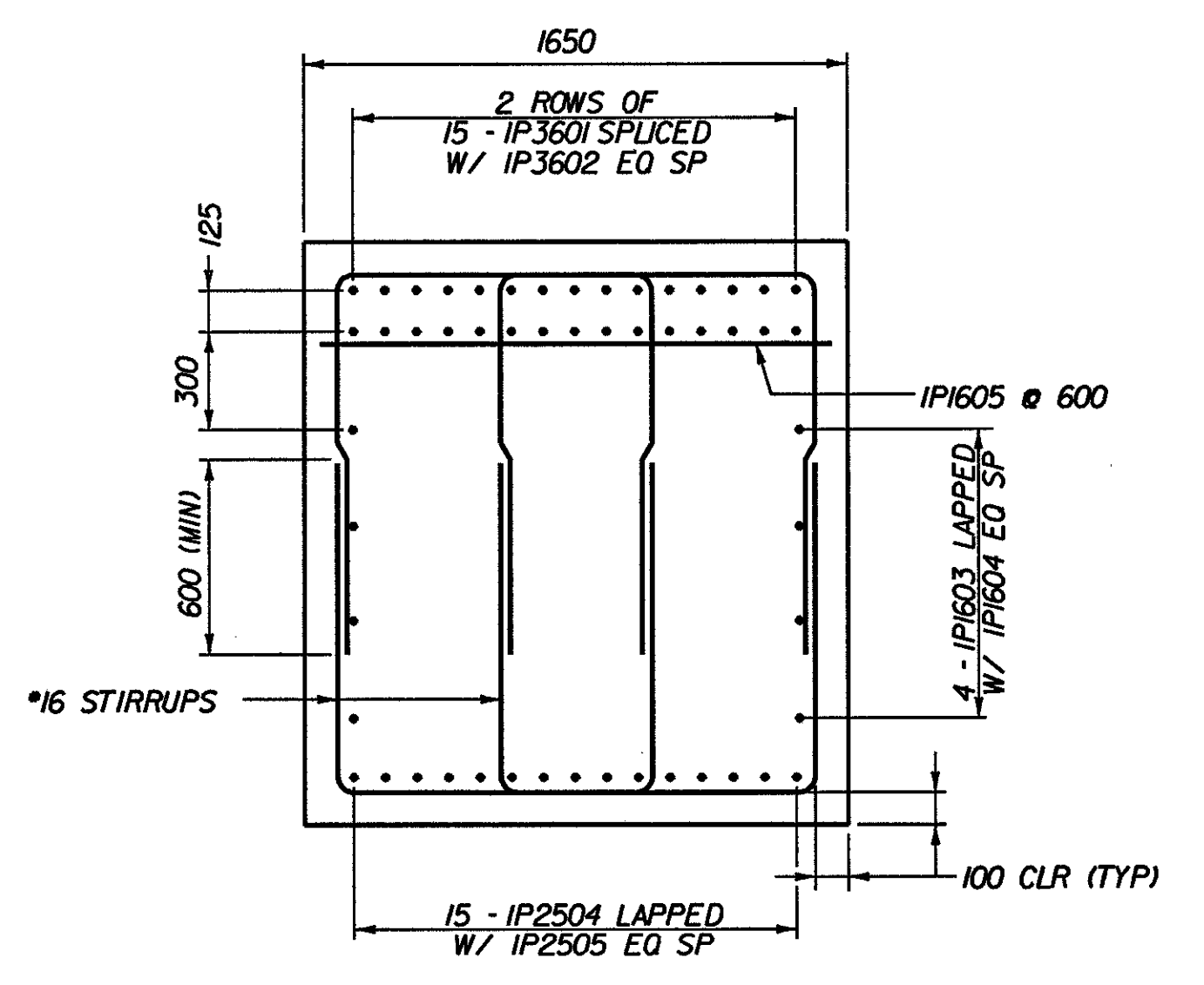
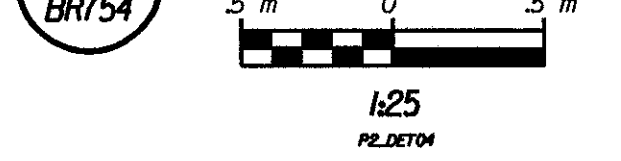
FOR PIER CAP REINFORCING NOT NOTED, SEE PIER ELEVATION ON BRIDGE SHEET BR750 AND DETAILS THIS SHEET



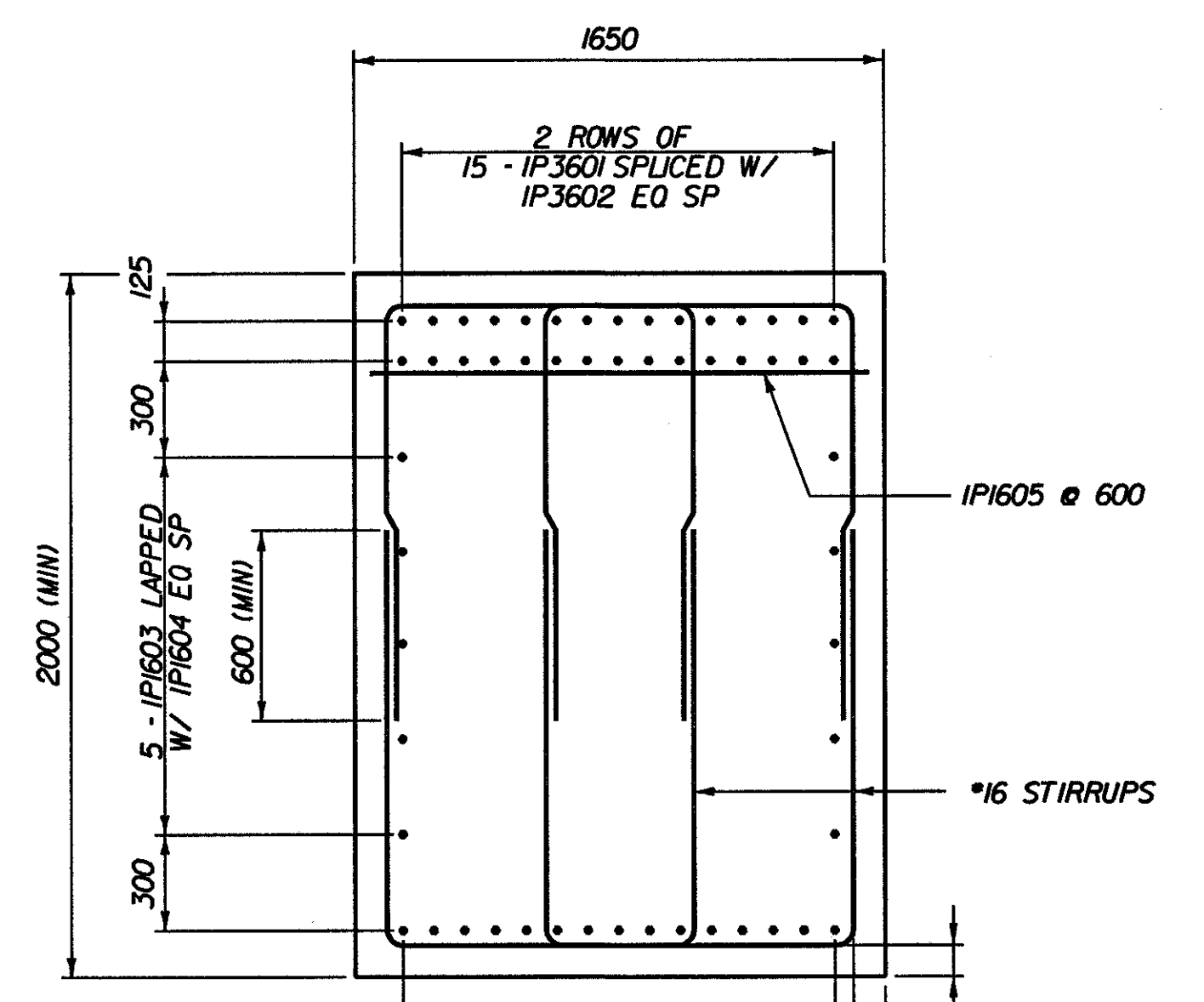
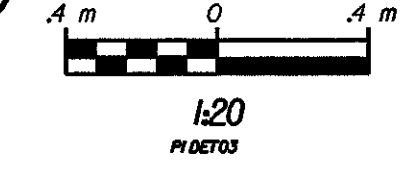
PIER TYPICAL COLUMN REINFORCEMENT



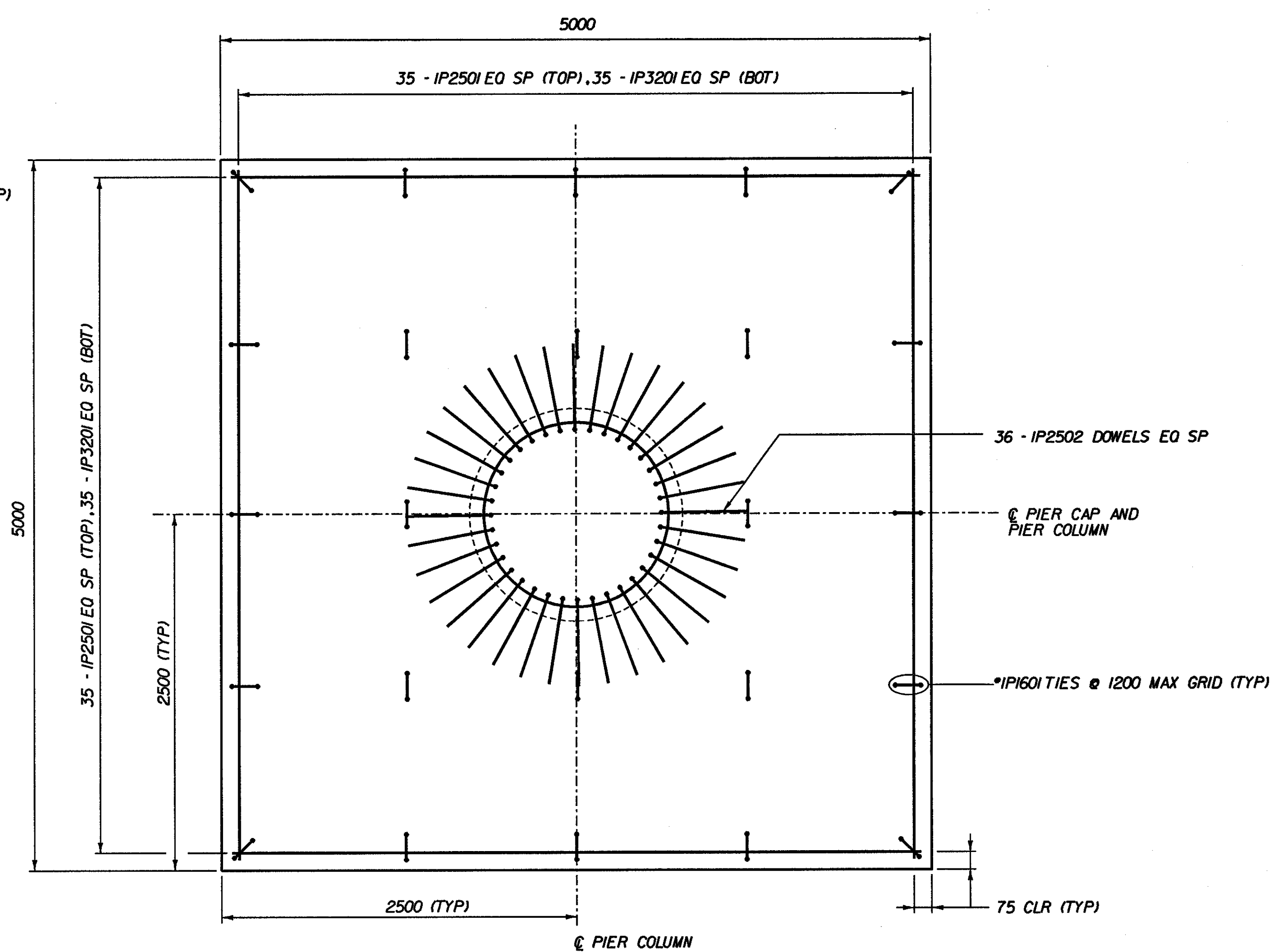
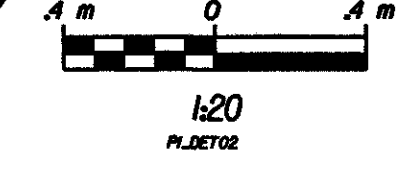
TYPICAL COLUMN SECTION



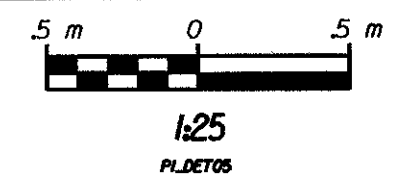
PIER CAP SECTION B



PIER CAP SECTION C



TYPICAL PIER FOOTING REINFORCEMENT PLAN



NOTE:
THESE #16 TIES SHALL HAVE THE 600mm LAP WELDED

STATE OF VERMONT AGENCY OF TRANSPORTATION			
Town Of	BENNINGTON	Bridge No.	BR700
Highway No.	VT. RTE. 9	Log Sta.	
VT. RTE. 9 OVER SILK ROAD AND WALLOOMSAC RIVER		Surv. Sta.	16+800
PIER I SECTIONS AND DETAILS			
Designed By	C. TUTUNJIAN	Drawn by	J. HOTALING/B. WEATHERBY
Checked By	D. VIEN	Date	6/00
		Bridge Design Supervisor	M.W. OLSTAD
		Date	9/00
PROJECT	BENNINGTON-HOOSICK	PROJECT NO.	D.P.J. 0146(1) C/4
i.C.C. info.			
Bridge Sheet No.	BR751	Sheet 234 OF 385	

10-352375/BR700/PL-SHT234/23400/BR751