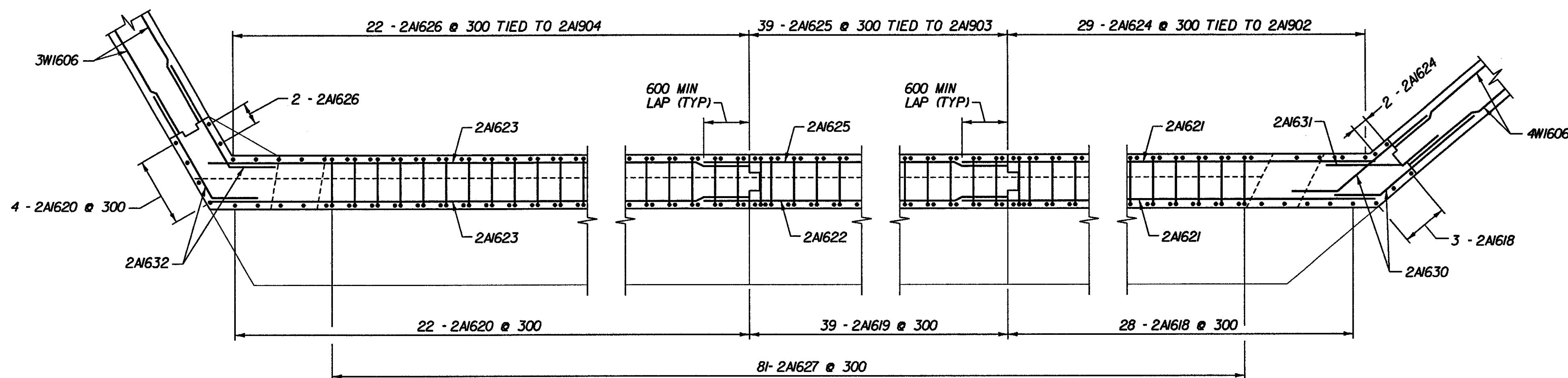
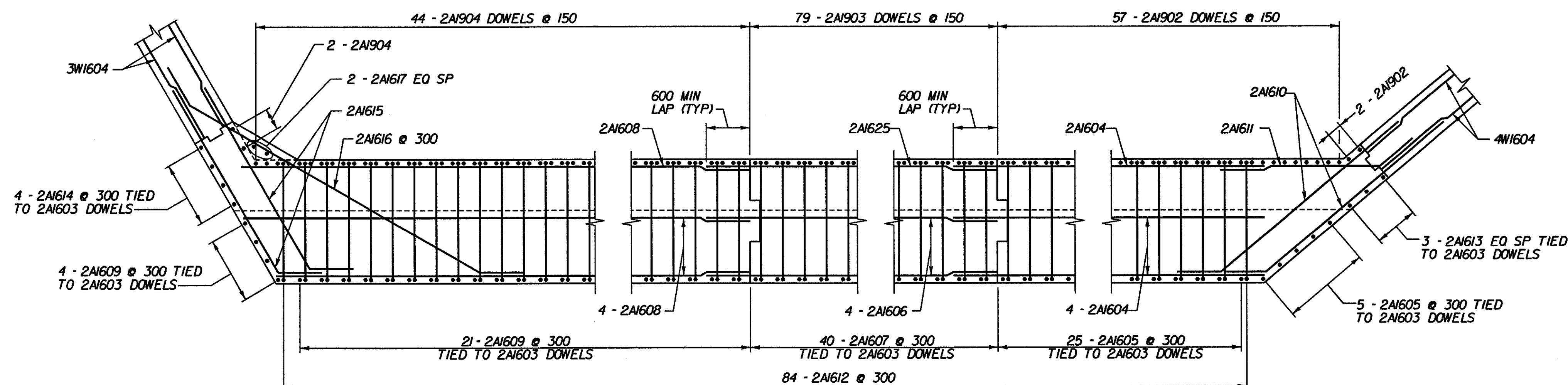
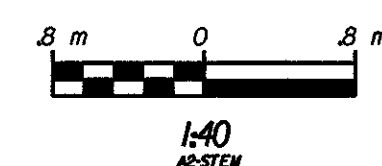


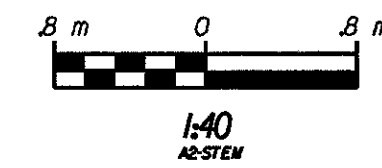
B TOP OF BACKWALL REINFORCEMENT PLAN
BR746



C BACKWALL REINFORCEMENT PLAN
BR746



D STEM REINFORCEMENT PLAN
BR746



**STATE OF VERMONT
AGENCY OF TRANSPORTATION**

Town Of	BENNINGTON	Bridge No.	BR700
Highway No.	VT. RTE. 9	Log Sta.	
		Surv. Sta.	16+800
VT. RTE. 9 OVER SILK ROAD AND WALLOOMSAC RIVER			
ABUTMENT 2 REINFORCEMENT DETAILS - 3			
Designed By	C. TUTUNJIAN	Drawn by	J. D. HOTALING Sr.
Checked By	L. AVERY	Date	6/00
		Bridge Design Supervisor	M.W. OLSTAD
		Date	9/00
PROJECT	BENNINGTON-HOOSICK	PROJECT NO.	D.P.I. 0146(1) C/4

I.G.C. Info.
Bridge Sheet No. BR749 Sheet 232 OF 385